



## W-TRUSS

It's hard to improve on our most popular shade structure, but we've done it again. The W-Truss now comes with the original flat roof option for shade, three peaked styles for shade, and a new canopy cover for year round use on the peaked roofs – and an even stronger frame!

Shade structures are one of the most economical ways to keep customers and products out of the blazing sun and our new canopy option has you covered for rain or snow! Mix and match flat roof sides with a peaked canopy entryway for maximum customer comfort and visual appeal to the front or side entrance to your brick and mortar store. Freestanding 20' wide canopy sections can be gutter connected for multiple peaks or linked together in a row to cover an area up to 100' long. Call a customer representative today to find a configuration that matches your needs!

Made with **GATORSHIELD**® Stronger Than Your Average Steel Tube



### W-Truss Standard Packages Include:

3" x 3" Sq. 12 ga. vertical posts with 7" x 7" base plates in 20' x 20' blocks, expansion anchor bolts, 20' galvanized truss members, knitted shade cloth with taped edges and grommets, 10" canopy ball bungee every 18", fittings, hardware, and assembly instructions

## SPECIFICATIONS

### Standard W-Truss

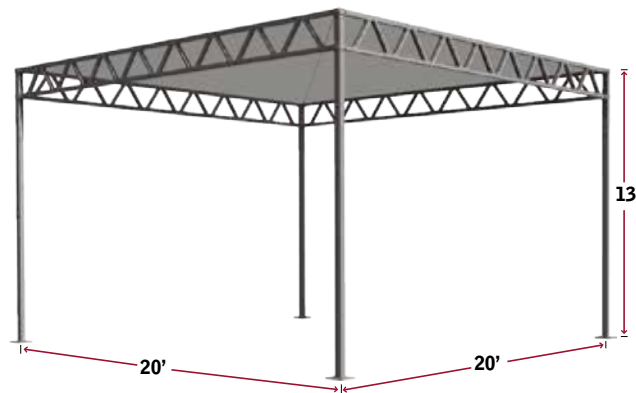
**Width/Lengths:** 20' x 20' blocks standard, custom trusses available

**Anchors:** Concrete expansion anchors

**Vertical posts:** 3" x 3" x 13' galvanized steel with plated base plates

**Truss:** 2" x 2" square top and bottom chords, galvanized webbing

**Cover:** 30–90% shade cloth



## Call Now for Information and Pricing

Our sales team is available Monday-Friday from 8:00am until 4:30pm CST.

800-852-3443



## SPECIFICATIONS

### Peaked W-Truss

**Width/Lengths:** 20' x 20' blocks

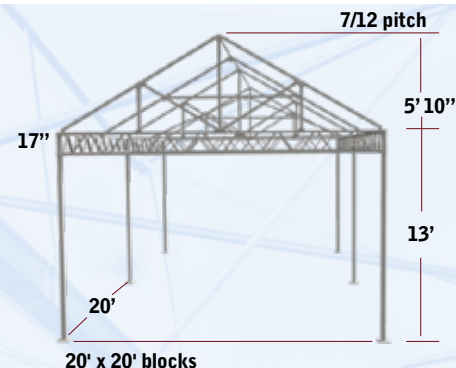
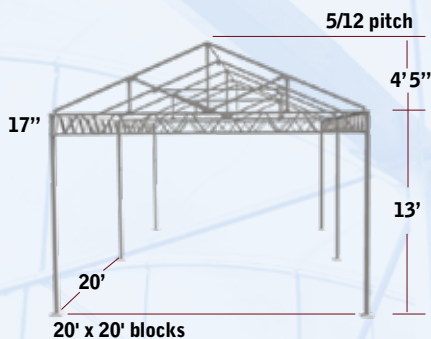
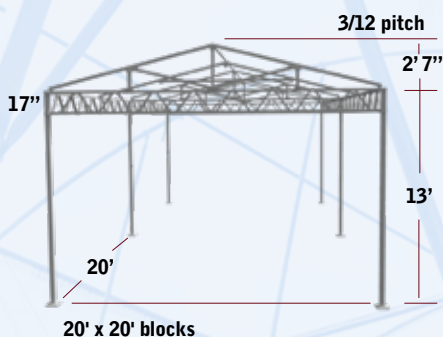
**Roof Pitch:** 5/12 roof pitch standard; 3/12 and 7/12 available

**Anchors:** Concrete expansion anchors

**Vertical posts:** 3" x 3" x 13' galvanized steel with plated base plates

**Truss:** 2" x 2" square top and bottom chords, galvanized webbing

**Cover:** 30–90% shade cloth, optional 12oz. polyethylene fabric for 20' x 20' sloped areas.



### Peaked W-Truss Standard Packages Include:

3" x 3" Sq. 12 ga. vertical posts with 7" x 7" base plates in 20' x 20' blocks, expansion anchor bolts, 20' galvanized truss members (5/12 roof pitch), knitted shade cloth with taped edges and grommets, 10" canopy ball bungee every 18", fittings, hardware, and assembly instructions



### Peaked W-Truss Canopy Cover Packages Include:

3" x 3" Sq. 12 ga. vertical posts with 7" x 7" base plates in 20' x 20' blocks (up to 100' feet long), expansion anchor bolts, 20' galvanized truss members, 12 oz. polyethylene fabric with a 15-year warranty (Available in white, blue, grey, tan, red, and green.) Tensioning ratchets, strapping, and setup manual provided.

## ALSO AVAILABLE



### Wide Span W-Truss Option

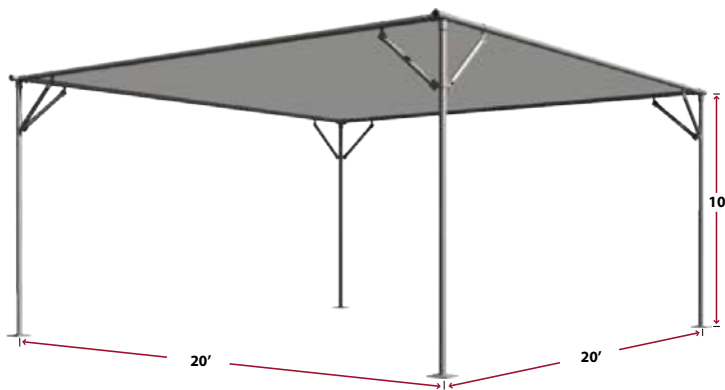
Our custom long-span shade systems have been used for everything from huge outdoor events to protecting tender saplings and fruit from being scorched by the sun. Longer trusses mean fewer uprights are necessary, giving you large open spans.

**Call us today to discuss your custom project including large scale wide-span shade systems.**



# SUNSTOPPER

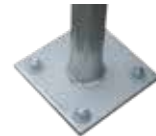
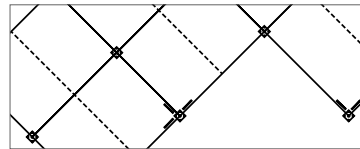
Retailers and growers alike will benefit from the sun and wind protection provided by the Sunstopper. It's a wonderful example of how strength and convenience come together to provide you with added value. By utilizing 2½" O.D. 12 gauge galvanized steel (when others use just 1.66"), and by attaching shade panels with 10" bungee balls, you are assured of both stability and quick assembly. While standard sizes offer an economical option, we're happy to help you customize the Sunstopper for your individual layout needs.



## SPECIFICATIONS

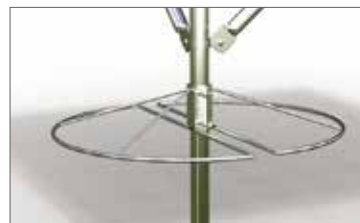
- Width/Lengths:** 20' x 20' blocks (custom sizes available)
- Anchors:** ground stands or optional base plates with concrete anchor bolts
- Vertical posts:** 2½" O.D. 12 ga. x 10' galvanized steel
- Horizontal supports:** 2½" O.D. 12 ga. x 20' galvanized steel
- Cover:** 30–90% shade cloth

## OPTIONS



**Layout Assistance:** We can design a shade structure that accommodates your specific location needs

**Base Plate with Concrete Anchor Bolts:** Firmly secure your structure



Two (2) Post Basket Hangers shown



Two (2) Post Hanging shelves shown

Post Basket Hanger	
Part #	Price
BH3520 (2 ½" rd. posts)	\$40.00 ea.

Post Hanging Shelf	
Part #	Price
BH1023 (2 ½" rd. posts)	\$83.00 ea.

## 51% LARGER TUBING!

The Sunstopper is built to last with tough 2½" O.D. 12 gauge galvanized steel tubing. That's 51% LARGER than what most manufacturers use. Get a better product for your investment with the Sunstopper.



Sunstopper uses larger diameter tubing.

Others use smaller diameter tubing.

### Sunstopper Standard Packages Include:

2 ½" O.D. 12 ga. x 10' vertical posts with ground stakes in 20' x 20' blocks, 2 ½" O.D. 12 ga. x 20' galvanized horizontal members, 60% black knitted shade cloth with taped edges and grommets, 10" canopy ball bungee every 18", fittings, hardware, and assembly instructions.



## Call Now for Information and Pricing

Our sales team is available Monday-Friday from 8:00am until 4:30pm CST.

**800-852-3443**

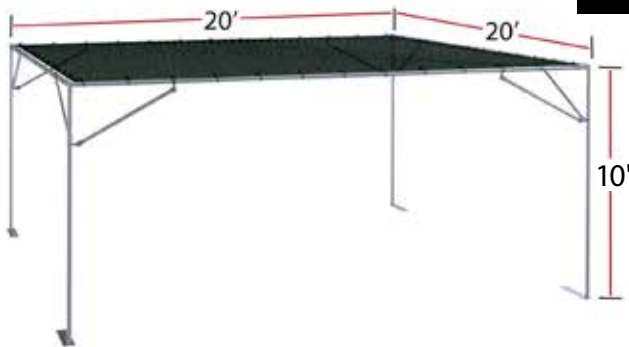
For more information visit [www.poly-tex.com](http://www.poly-tex.com)



# SUN SHADOW

Keep it cool for less with our Sun Shadow shade structure. This economical solution offers you easy assembly and modular design without sacrificing our durable galvanized steel construction. The extended base plate allows for the use of pallet products as your anchoring system and helps you avoid parking lot damage. With the Sun Shadow, you'll protect your products and improve your customer's experience easily and economically. Sometimes less really is more!

Made with **GATORSHIELD**® Stronger Than Your Average Steel Tube



## SPECIFICATIONS

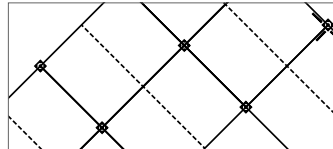
**Width/Lengths:** 20' x 20' blocks (custom sizes available)

**Frame:** 2" O.D. 14 ga. galvanized steel tubing

**Cover:** 30-90% black shade cloth (standard package)

**Anchoring:** Extended base plates or ground stands

## OPTIONS



**Layout Assistance:** We can design a shade structure that accommodates your specific location needs



Post Basket Hanger shown

Post Basket Hanger	
Part #	Price
BH3510 (2" dia. posts)	\$40.00 ea.



Two (2) Post Hanging shelves shown

Post Hanging Shelf	
Part #	Price
BH1022 (2" dia. posts)	\$83.00 ea.

### Sun Shadow Standard Packages Include:

2" O.D. 14 ga. x 9' vertical posts with extended base plates in 20' x 20' blocks, 2" O.D. 14 ga. x 20' galvanized horizontal members, 60% black knitted shade cloth with taped edges and grommets, 10" canopy ball bungee every 18", fittings, hardware, and assembly instructions.

## Call Now for Information and Pricing

Our sales team is available Monday-Friday from 8:00am until 4:30pm CST.

800-852-3443



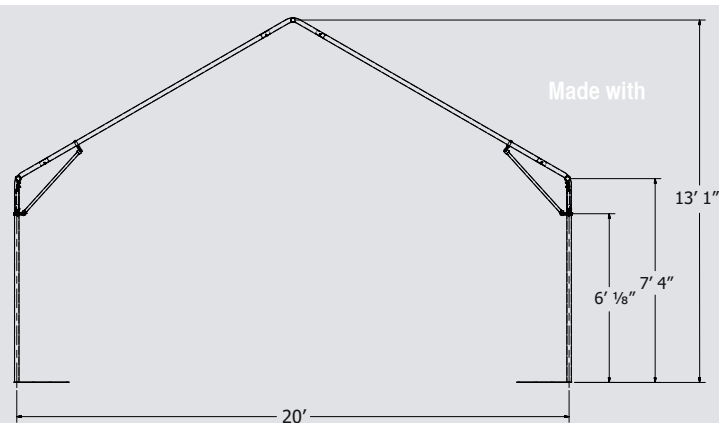


Ask about larger structures in up to 50' widths

# VERTEX SHADE SYSTEM

The first structure in our Vertex line, this simple, stylish shade house lets you make a statement and show your colors. The easy snap button frame and bungee shade attachments will have you in the shade in no time. With just over 7' of sidewall clearance and 13' to the peak, the Vertex will give you shade while keeping that open air feeling.

Made with **GATORSHIELD**® Stronger Than Your Average Steel Tube



### SPECIFICATIONS

**Width:** 20'

**Length:** Starting at 10' with increments of 10'

**Sidewall Height:** 7' 4"

**Height to Apex:** 13' 1"

**Frame:** 2" O.D. 14ga. galvanized steel tube

**Cover:** Knitted shade cloth with taped edges and grommets\*

**Anchoring:** Extended base plates

\*Different colors and percentages of shade cloth available  
**Call for Pricing**



Support view



Peak view



Optional front Gable panel

**Vertex Shade Standard Packages Include:**  
 2" O.D., 14ga. galvanized snap button frames on 10' centers, diagonal struts in corners, 2" O.D. 14ga. galvanized ridge purlin, knitted shade cloth with taped edges and grommets, 10" canopy ball bungee every 18", extended base plates, spikes, assembly hardware and setup manual.

Now Available With Optional Gable End Packages.

Vertex Shade		
Part #	Description	Price
VX2010-R70	20 x 10 Red 80%	\$1,088
VX2010-B60	20 x 10 Blue 60%	\$1,017
VX2010-G60	20 x 10 Green 60%	\$1,001
VX2010-K30	20 x 10 Black 30%	\$984

VX2020-B60	20 x 20 Blue 60%	\$1,662
VX2020-G60	20 x 20 Green 60%	\$1,630
VX2020-K30	20 x 20 Black 30%	\$1,598

VX2030-B60	20 x 30 Blue 60%	\$2,304
VX2030-G60	20 x 30 Green 60%	\$2,275
VX2030-K30	20 x 30 Black 30%	\$2,227

VX2040-B60	20 x 40 Blue 60%	\$3,010
VX2040-G60	20 x 40 Green 60%	\$2,945
VX2040-K30	20 x 40 Black 30%	\$2,881

Call for Additional Pricing Information.

For more information visit [www.poly-tex.com](http://www.poly-tex.com)

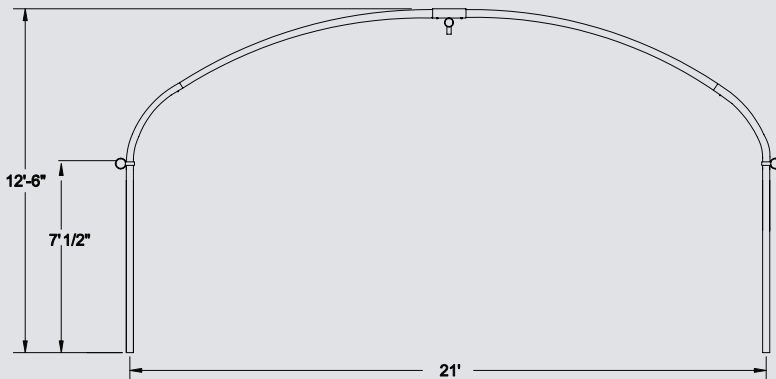


**Standard Package price includes:**  
 2" O.D. 14 ga. galvanized snap-button frames on 8-foot centers, diagonal struts in corners, 2" O.D. 14 ga. ridge purlin, ground stakes, 13 oz. vinyl roof with bungee attachment, assembly hardware and setup manual.

# HAVA CABANA

Fun and flexibility, these are the key elements of our versatile Hava Cabana. And its snap button design makes set-up and tear down, well, a snap! While this unit makes an excellent seasonal sales structure, the Hava Cabana can also be used for any outdoor event where you need attractive protection from the elements, like parties, catered events, or even the farmer's market. Assembly is quick and the price is painless—so let the fun begin!

Made with **GATORSHIELD®** Stronger Than Your Average Steel Tube



## SPECIFICATIONS

- Width:** 21'
- Length:** 16' increasing in 8' sections
- Sidewall height:** 7'
- Height to apex:** 12'-4"
- Frame spacing:** 8'
- Cover:** 13 oz. vinyl laminate fabric in red, blue, green or yellow stripe
- Anchoring:** Choice of spikes, leg stands or ground stakes

## OPTIONS



**Vinyl Side Panels**  
 Add both visual interest and protection from the elements with these fun side panels



**Vinyl End Panels**  
 Choose from Peak Only or Peak and End Panel options and gain full protection and closure when combined with side panels



**Shade Cloth Cover**  
 Opt for a shade cloth and provide diffused light to your merchandise; available in 30-90% shade filtering



**Choose Your Color**  
 Strength and beauty with a little fun thrown in, that's what you'll get with our long-lasting, 13-oz vinyl laminate fabric. Choose from red, blue, green, or yellow stripes on white

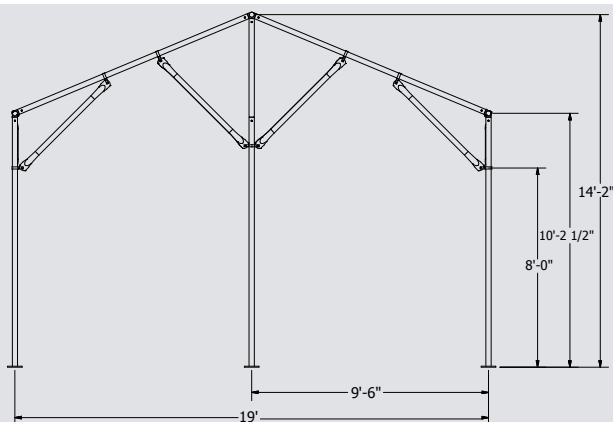
Hava Cabana	
Size	Standard package price
21' x 16'	\$2,100
21' x 24'	\$2,785
21' x 32'	\$3,463
21' x 40'	\$4,148
21' x 48'	\$4,826
21' x 56'	\$5,511
21' x 64'	\$6,189
21' x 72'	\$6,874
21' x 80'	\$7,552
21' x 88'	\$8,236
21' x 96'	\$8,915
<b>additional 8' sections</b>	<b>\$679</b>



# SUPER VERTEX CANOPY

Get the new Super Vertex for super coverage! This year-round structure has what it takes to stand up to the elements. Available in 19', 24', 28', and 32' bay widths; in single, double, and triple spans up to 60' in length. Call customer service for pricing on additional size and color options.

Made with **GATORSHIELD**® Stronger Than Your Average Steel Tube



## SPECIFICATIONS

- Width:** 19' 24' 28' 32'
- Length:** Starting at 20' with increments of 10'
- Sidewall Height:** 10' 2 1/2"
- Height to Apex:** 14' 2"
- Frame:** 2.5" O.D. 12ga. galvanized steel tube
- Cover:** 12 oz. polyethelene fabric with 15 year warranty
- Anchoring:** Base plates and expansion anchors



Support view



Peak view



### Super Vertex Canopy Standard Packages Include:

2.5" O.D. 12ga. galvanized frames on 10' centers, 2.5" O.D. 12ga. galvanized ridge and eave purlins, diagonal wind bracing, plated base plates, expansion anchors, assembly hardware, white 12 oz. polyethylene fabric with a 15-year warranty, tensioning ratchets, strapping, and setup manual provided. (Also available in blue, grey, tan, red, and green fabric - call for pricing.)

Super Vertex Shade		
Part #	Description	Price
SX1900-W	End Panel - 19' Bay - White	\$611
SX1920-1W	19' x 20' Single Bay - White	\$3,894
SX1930-1W	19' x 30' Single Bay - White	\$5,310
SX1940-1W	19' x 40' Single Bay - White	\$6,756
SX1950-1W	19' x 50' Single Bay - White	\$8,172
SX1960-1W	19' x 60' Single Bay - White	\$9,588
SX1920-2W	19' x 20' Double Bay - White	\$7,139
SX1930-2W	19' x 30' Double Bay - White	\$9,735
SX1940-2W	19' x 40' Double Bay - White	\$12,302
SX1950-2W	19' x 50' Double Bay - White	\$14,898
SX1960-2W	19' x 60' Double Bay - White	\$17,494
SX1920-3W	19' x 20' Triple Bay - White	\$10,355
SX1930-3W	19' x 30' Triple Bay - White	\$14,131
SX1940-3W	19' x 40' Triple Bay - White	\$17,936
SX1950-3W	19' x 50' Triple Bay - White	\$21,712
SX1960-3W	19' x 60' Triple Bay - White	\$25,459