

SUN SHADOW shade structure system

INSTALLATION INSTRUCTIONS



P.O. Box 458
27725 Danville Avenue
Castle Rock, MN 55010
www.poly-tex.com

REV: AC 130128

U.S. & Canada Toll Free
800-852-3443
(651) 463-7009
fax (651) 463-2479



POLY-TEX
Greenhouse & Display Systems

SAFETY GUIDELINES

PLEASE READ THE INSTALLATION INSTRUCTIONS CAREFULLY BEFORE BEGINNING TO ASSEMBLE THE STRUCTURE. SAVE THESE INSTRUCTIONS FOR FUTURE REFERENCE.

WARNING

This structure is intended to be self-supporting once constructed with all frames, hardware, sheathing, sheeting, bracing, cables, and membrane in place and secured to the foundation as shown in the manual. Stability during construction, from winds and loads imposed during erection, is the sole responsibility of the installer. Observe safety codes required by your jurisdiction, and relevant safety practices for working at heights. Avoid the risk of electrical shock from overhead lines or electrical storms. Poly-Tex recommends contracting a licensed electrician to perform electrical work. Eye protection is recommended under all circumstances and hearing protection is recommended when cutting components with power tools.

Foundations

These instructions include minimum guidance for foundations based on the International Building Code. These minimums are suitable for some areas of the country but not all. Obtain a building permit if required in your jurisdiction. Engineered Certified foundation plans may be required by a building official before issuing a permit. Even if not required, seeking guidance from a qualified structural or civil engineer for the foundation design may improve the life of your structure.

DANGER

No part of this structure is engineered to function as an anchorage point for a fall arrest system. Use a safety net or work from a safe work platform (i.e. scaffolding). Select a calm day for work. Wind can be sufficient enough to knock materials or workers off a work platform or ladder, resulting in a potentially deadly fall.

Overview of assembly procedure

While each structure and site is unique, and may require special considerations, these instructions are for a tilt-up method (where frames are assembled on the ground and tilted onto ground stakes or anchor rods using ropes or lifts). If installer is not confident to erect the structure, Poly-Tex suggests you hire a general contractor, carpenter, or similar licensed business familiar with construction to assemble and erect your structure.

DANGER

Do not overload structure. Consult with a Poly-Tex representative prior to adding any amount of weight over the specified capacity of this structure. Basket purlins, shelving or any objects of significant weight shall not be hung, attached, or secured to roof or truss members in a manner that will overload the structure.

WARNING

Do not walk on polycarbonate sheets. If the structure is to be covered with polycarbonate sheets, always use scaffolding for the erection process to avoid damage to sheeting and to ensure safety. Polycarbonate sheeting has UV coating protected with vinyl film on the exterior surface. Install sheets with the film intact and toward the exterior. Remove film once the sheet has been fastened in place.

SUN SHADOW

Index

PART IDENTIFICATION	Pg 1
FRAME ASSEMBLY	Pg 2
CORNER DIAGONAL BRACES	Pg 3
DIAGONAL BRACES FOR 3-WAY & 4-WAY	Pg 4
DIAGONAL CABLE INSTALLATION	Pg 5
BUNGEE INSTALLATION	Pg 6
SHADE CLOTH INSTALLATION	Pg 7

PARTS IDENTIFICATION



SU5062
RAIL 119 1/2 PLAIN (SUN SHADOW)



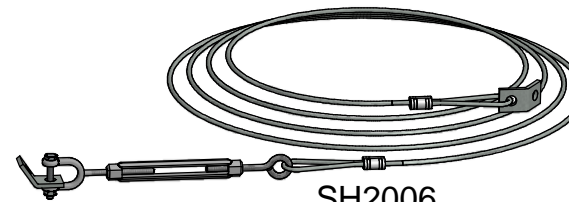
SU5063
RAIL 119 1/2 SWAGE (SUN SHADOW)



SU5064
1.315 x 46 1/2 DIAGONAL BRACE



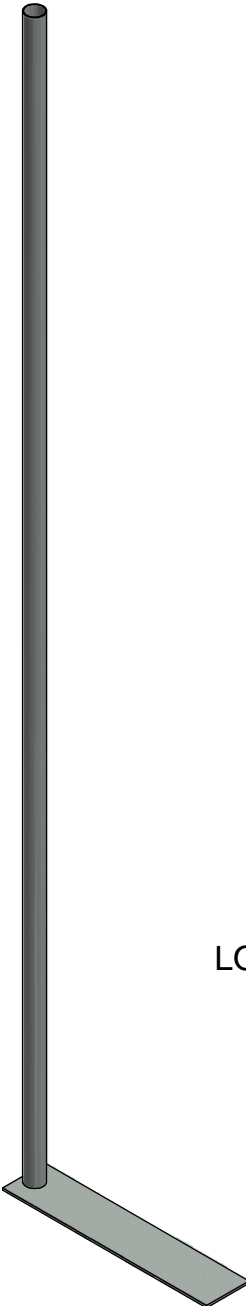
PT2521
BUNGEE BALL 10"



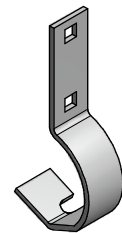
SH2006
CABLE ASSEMBLY



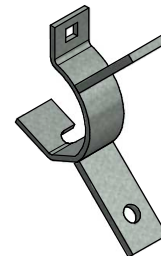
Z0497
28" EXTENSION (2" ROUND)
(OPTIONAL)



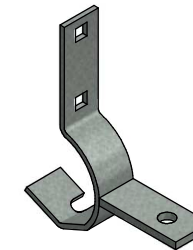
SU5060
POST W/PLATE 10' (SUN SHADOW)



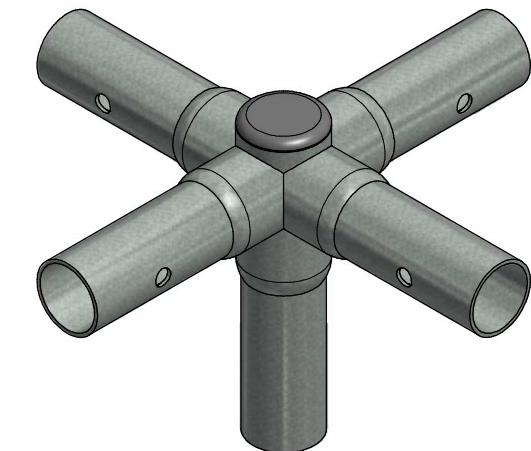
FT2079
LONG SPEED HOOK (2")



FT2063
SHORT SPEED HOOK (2IN) W/TABS



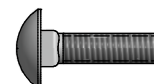
FT7002
2 WAY LONG SPEED HOOK (2 ")



SU5052
4-WAY FITTING
(OPTIONAL)



NB1850
5/16" x 2-1/2" HEX BOLT



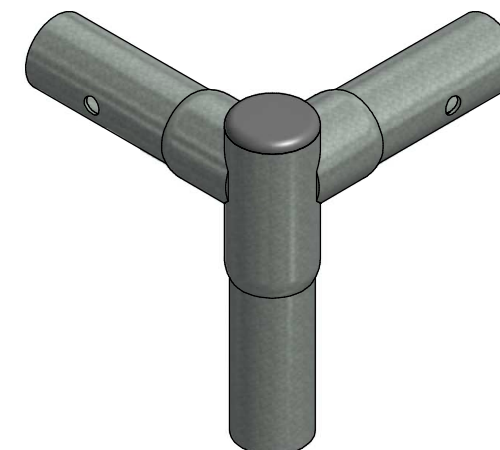
NB1832
5/16" x 1-1/4" CARRIAGE BOLT



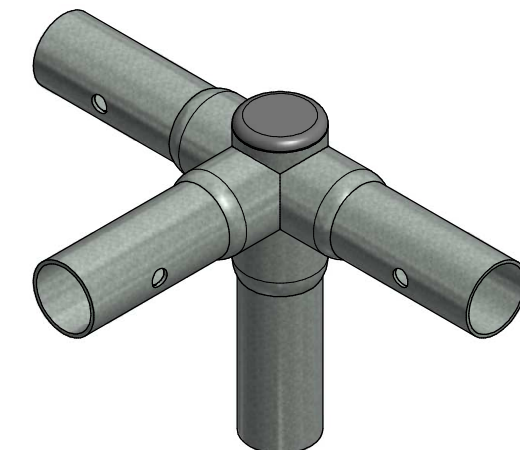
NB1872
5/16" HEX NUT



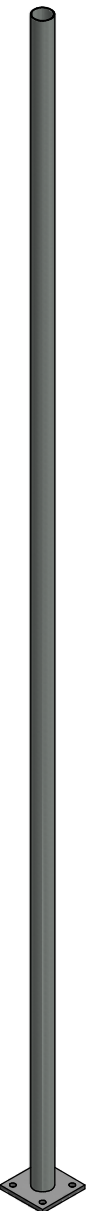
NB1862
5/16" LOCK WASHER



SU5050
CORNER FITTING

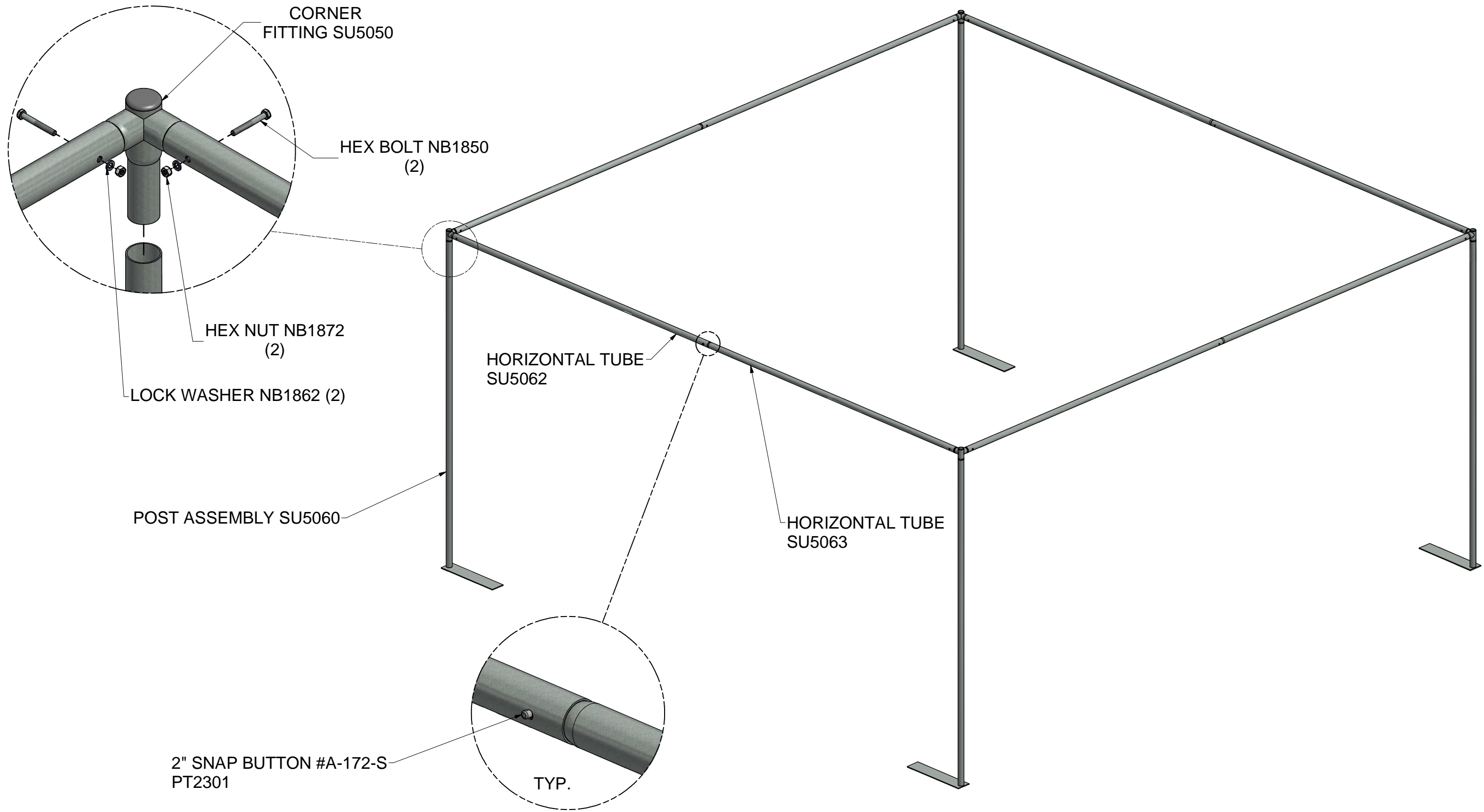


SU5051
3-WAY FITTING
(OPTIONAL)



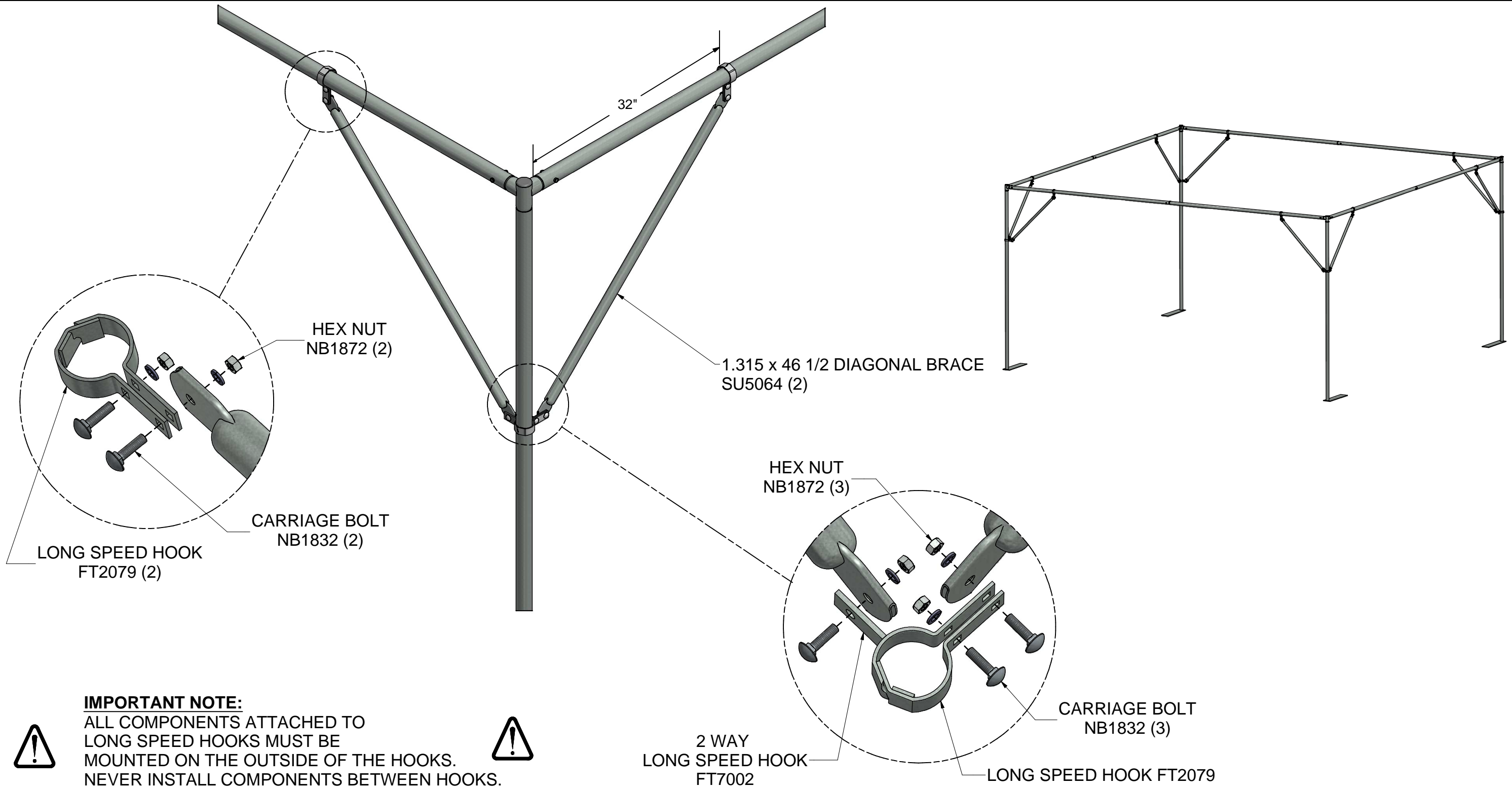
SU5061
POST 10" W/5X5
PLATE (SUN SHADOW)
(OPTIONAL)

FRAME ASSEMBLY



Install corner fittings as shown. Tighten securely.

CORNER DIAGONAL BRACE



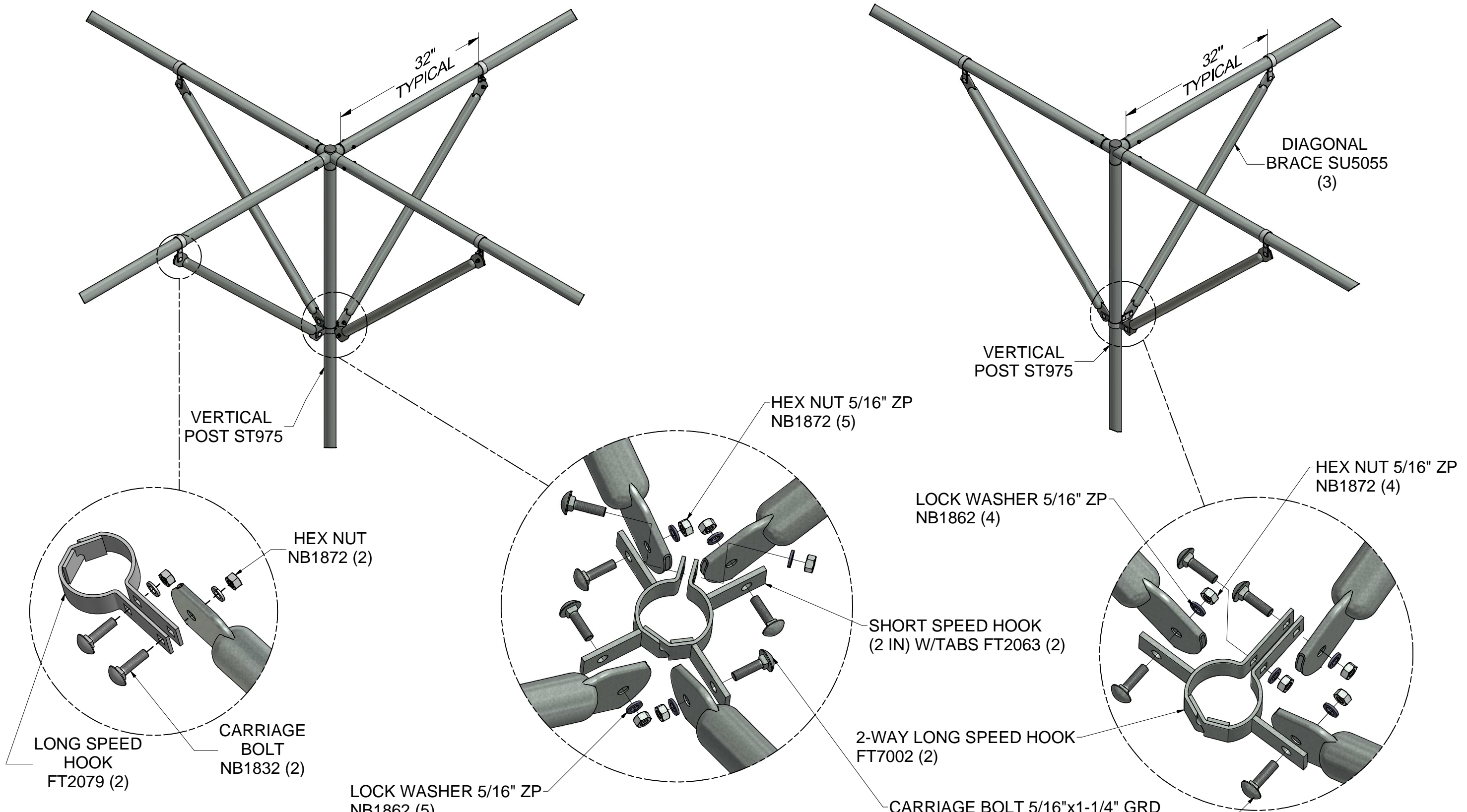
IMPORTANT NOTE:

ALL COMPONENTS ATTACHED TO LONG SPEED HOOKS MUST BE MOUNTED ON THE OUTSIDE OF THE HOOKS. NEVER INSTALL COMPONENTS BETWEEN HOOKS.



Install diagonal braces as shown to ensure proper support of structure. You may need to lift the horizontal tube to match the intended brace location.

DIAGONAL BRACES FOR 3-WAY & 4-WAY

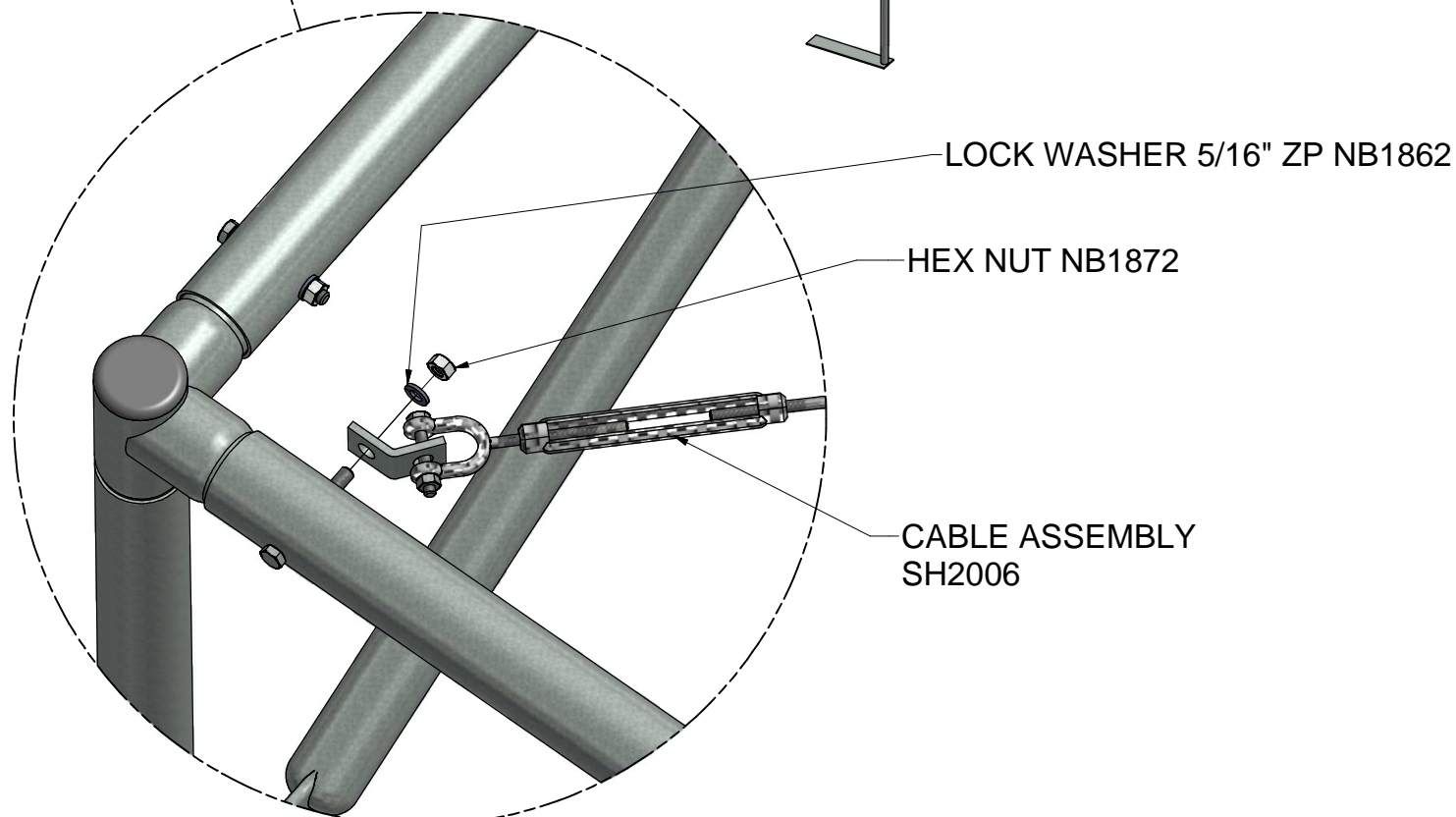
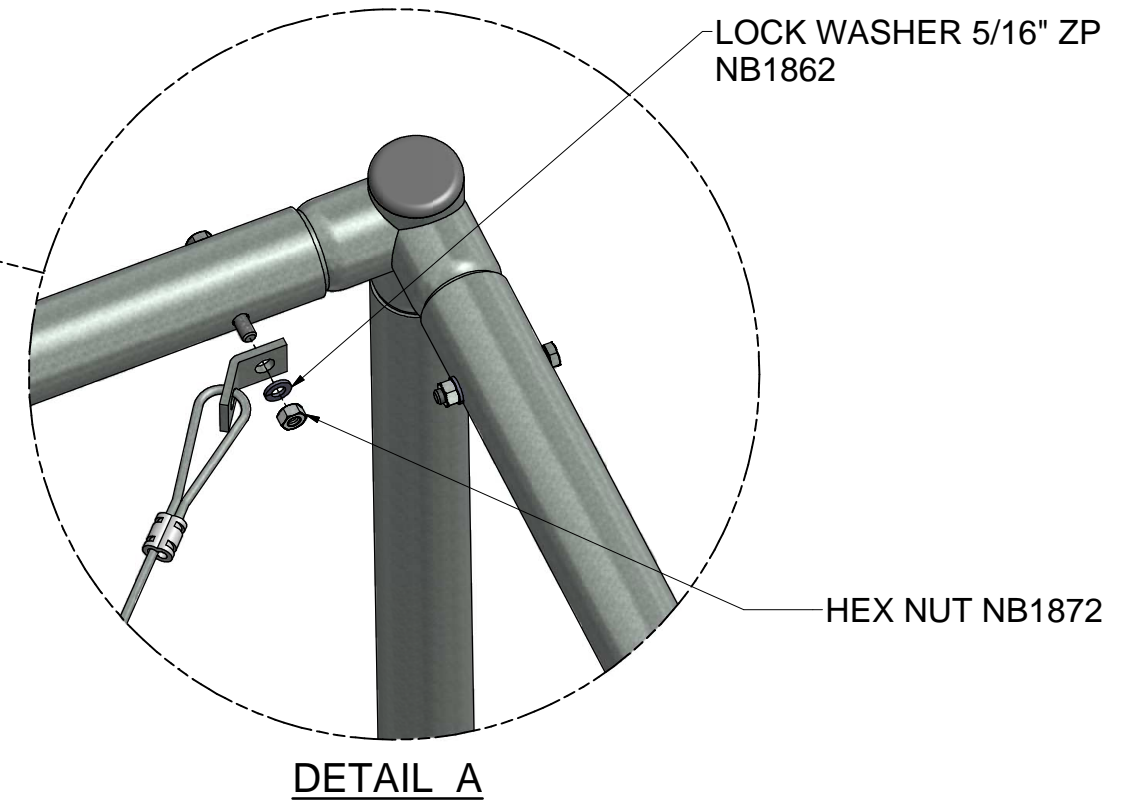
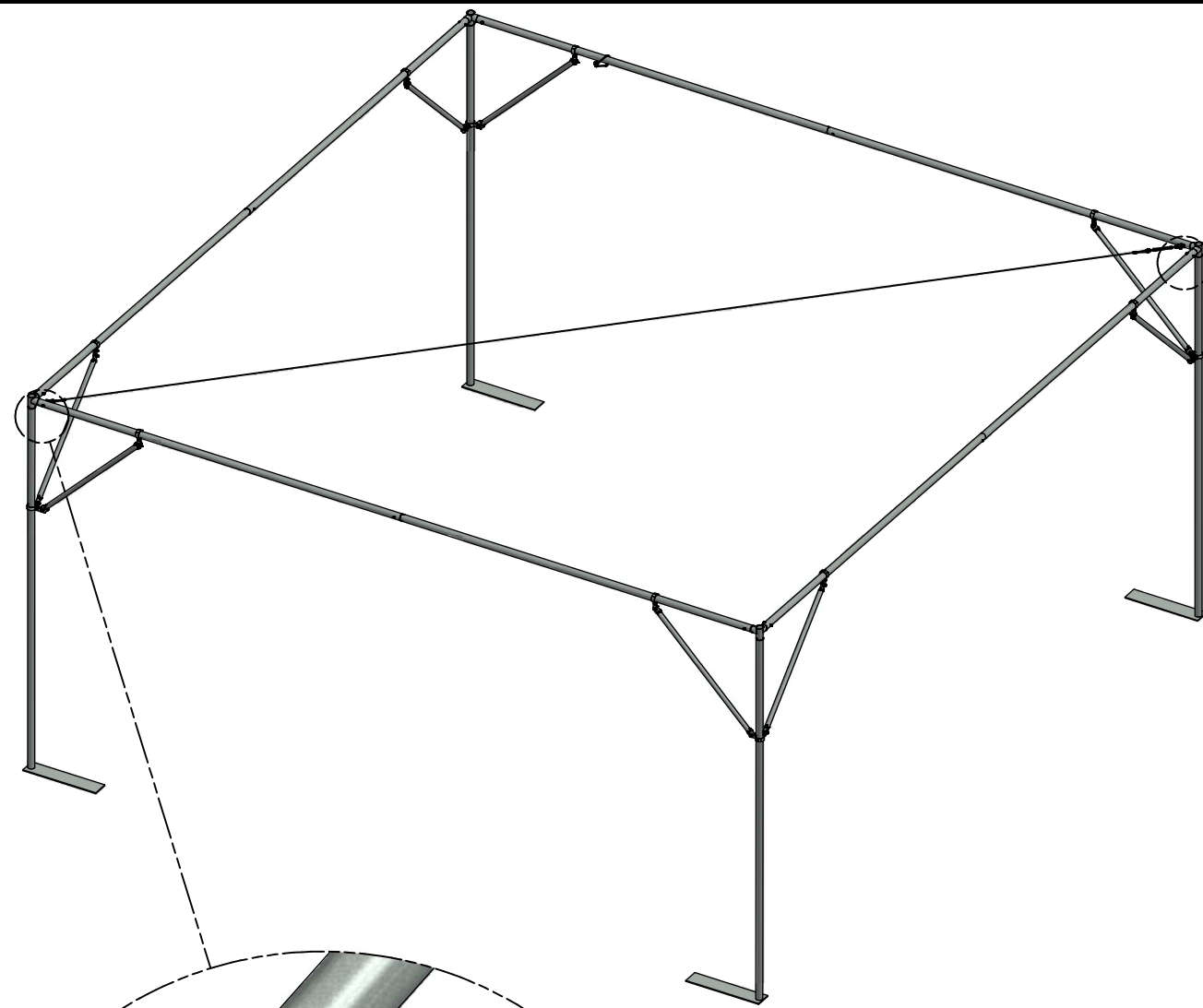


IMPORTANT NOTE

ALL COMPONENTS ATTACHED TO LONG SPEED HOOKS MUST BE MOUNTED ON THE OUTSIDE OF THE HOOKS. NEVER INSTALL COMPONENTS BETWEEN HOOKS.



DIAGONAL CABLE INSTALLATION



INSTRUCTIONS:

1. Remove one 5/16" hex nut and one 5/16" lock washer from the inside of one corner fitting (DETAIL A). Do not discard.
2. Fasten bracket on non-turnbuckle end of cable assembly to top fitting as shown in DETAIL A.
3. Adjust turnbuckle to make cable assembly as long as possible.
4. Remove one 5/16" hex nut and one 5/16" lock washer from the inside of the corner fitting on the opposite side of the 20' x 20' section (DETAIL B).
5. Fasten bracket on turnbuckle end of cable assembly to top fitting as shown in DETAIL B.
6. Tighten cable assembly with the turnbuckle.
7. **DO NOT OVER-TIGHTEN.** The cable assembly should be taut, but not pull the corners toward each other.

BUNGEE INSTALLATION

INSTRUCTIONS:

1. **IMPORTANT:** WEAR EYE PROTECTIONS WHEN INSTALLING BUNGEE BALLS.
2. A BUNGEE MAY SLIP OFF IF NOT INSTALLED PROPERLY. OCCASIONALLY CHECK YOUR INSTALLATION TO ENSURE ALL BUNGEEES REMAIN ATTACHED.
3. ONCE IN PLACE, MOVE BUNGEE SO BALL IS OVER THE GROMMET AS SHOWN.
4. WHEN REINSTALLING, INSPECT BUNGEE BALLS FOR WEAR OR DAMAGE. DO NOT USE DAMAGED BUNGEE BALLS.
5. ON ADJACENT SHADE USE ONE BUNGEE BALL PER GROMMET AS SHOWN IN FIGURE 1. **DO NOT DOUBLE UP ON THE GROMMETS PER BUNGEE BALL.**

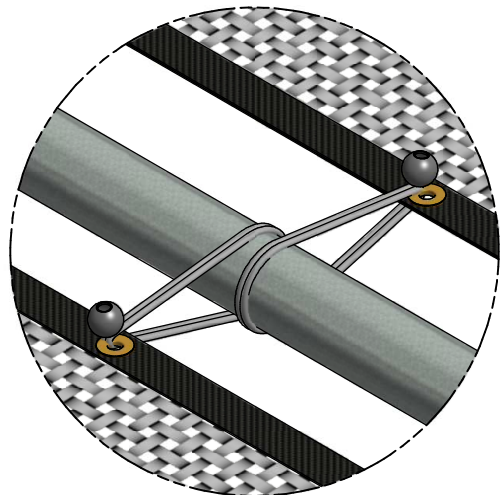
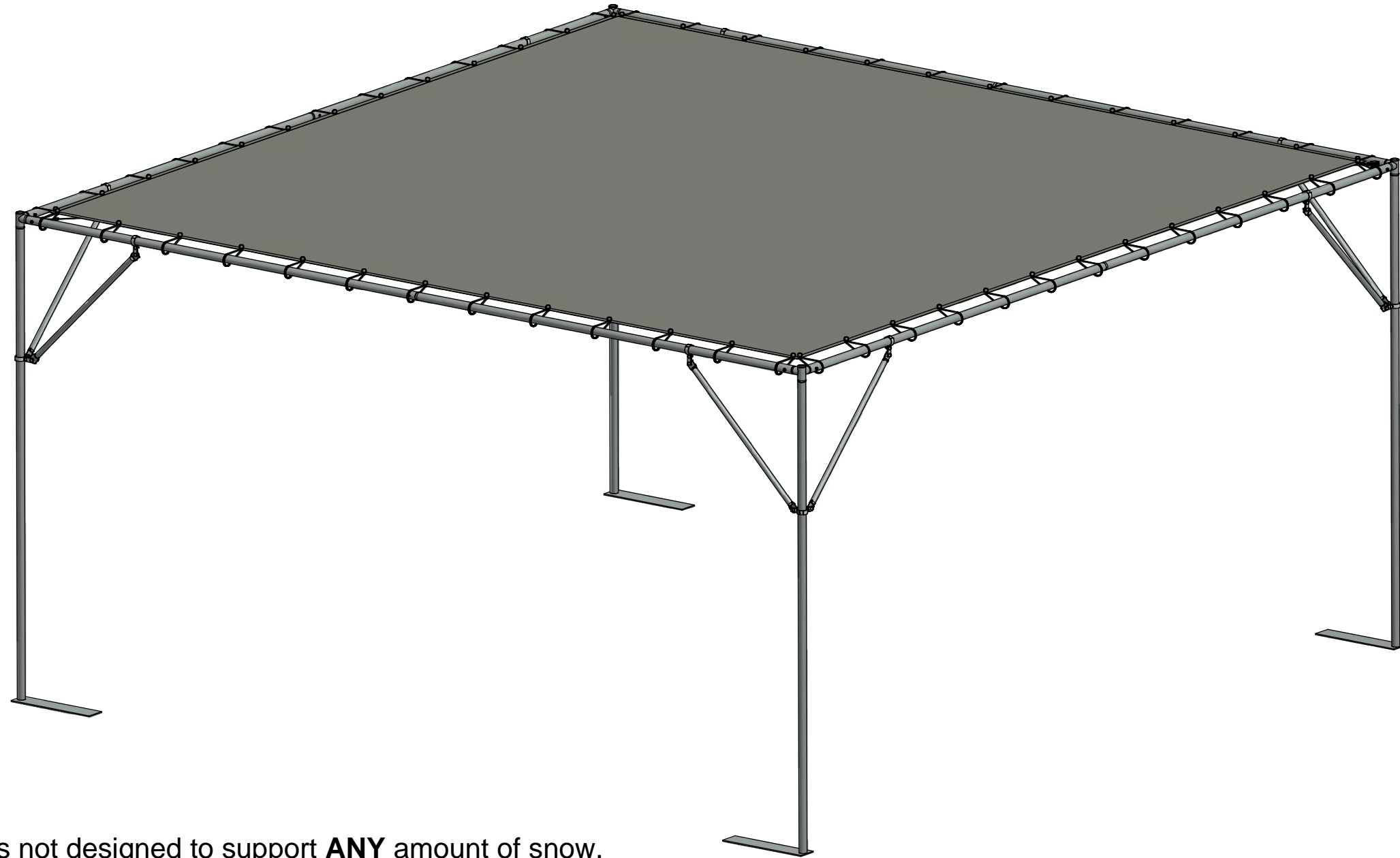


FIGURE 1



SHADE CLOTH INSTALLATION



WARNING: This product was not designed to support **ANY** amount of snow. Be sure all chances of snow accumulation have passed before installing the shade cloth. If by chance snow does accumulate on top of the shade cloth, **IMMEDIATELY** remove the bungee balls securing the shade cloth to allow snow to fall to the ground.