

TALL 3-LEVEL DISPLAY

PX7026



Assembly Instructions



Important!

Please read these instructions carefully before beginning to assemble this display. Save these instructions for future reference.

Revision: AA-140226

Assembly Instructions

1.0 Product Number Cross-Reference

TALL 3-LEVEL DISPLAY				
DESCRIPTION	GALVANIZED	RED	BLACK	GREEN
BENCH FRAME TALL 3-LEVEL	PX1011	PR1011	PK1011	PG1011
SNAPPER PIN.250"x2.25"	NB1996			
FRAME EXTENSION 30-5H	PX1103	PR1103	PK1103	PG1103
12" V-BRACKET	BMS1138	PR1165	PK1165	PG1165
PX7026 6' BENCH				
X-STABILIZER 6'	PX1100	PR1100	PK1100	PG1100
BENCH TOP W/EXP 12"W x 6' LG	FK1004	PR1171	PK1171	PG1171
BENCH TOP W/EXP 1'-6"W x 6' LG	FK1000	PR1172	PK1172	PG1172
BENCH TOP W/EXP 28-1/2"W x 6' LG	FK1001	PR1174	PK1174	PG1174
PX7026 4' BENCH				
X-STABILIZER 4'	PX1101	PR1101	PK1101	PG1101
BENCH TOP W/EXP 12"W x 4' LG	FK1008	PR1141	PK1141	PG1141
BENCH TOP W/EXP 1'-6"W x 4' LG	FK1010	PR1142	PK1142	PG1142
BENCH TOP W/EXP 28-1/2"W x 4' LG	FK1018	PR1144	PK1144	PG1144

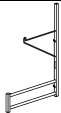

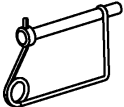
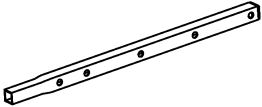
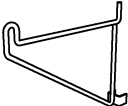
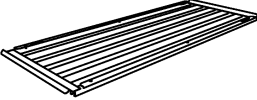


OPTIONAL PARTS				
OPTIONAL SIGN SUPPORT				
CARRIAGE BOLT 1/4"x 1-3/4" G5	NB1818			
LOCK WASHER 1/4" ZP	NB1860			
WASHER 1/4" ZP	NB1866			
WING NUT 1/4" ZP	NB1902			
6' SIGN				
SIGN HOLDER 7" x 72" W/ BEND	FB3074	PR1176	PK1176	PG1176
4' SIGN				
SIGN HOLDER 7" x 48"	FB3075	PR1146	PK1146	PG1146

- Part number references are included in the instructions for the galvanized components. Refer to the second letter change in the part number for cross reference to the appropriate powder-coated color.


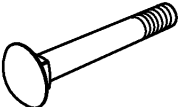
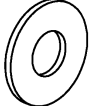


Assembly Instructions

2.0 Parts List

2.1 Base Unit

IMAGE	TAG #	QTY	ITEM #	DESCRIPTION
	1	2	PX1011	BENCH FRAME TALL 3-LEVEL
	2	2	PX1100	X-STABILIZER 6'
	3	1	NB1996	SNAPPER PIN.250"x2.25"
	4	2	PX1103	FRAME EXTENSION 30-5H
	5	2	BMS1138	12" V-BRACKET
	6	1	FK1001	BENCH TOP W/EXP 28-1/2"W x 6' LG
	7	1	FK1000	BENCH TOP W/EXP 1'-6"W x 6' LG
	8	1	FK1004	BENCH TOP W/EXP 12"W x 6' LG

2.2 Optional Components

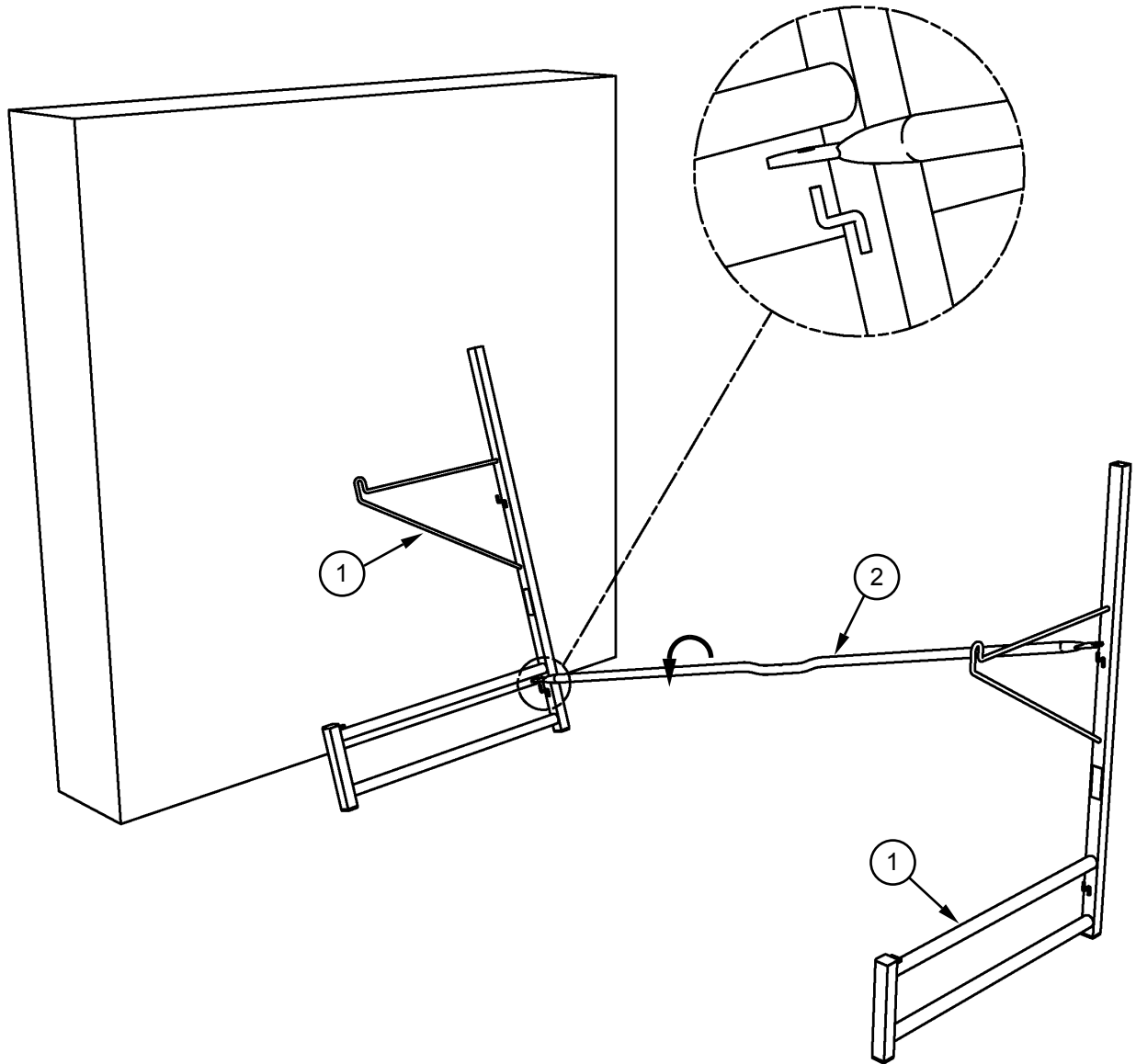
IMAGE	TAG #	QTY	ITEM #	DESCRIPTION
	9	2	FB3074	SIGN HOLDER 7" x 72" W/ BEND
	10	2	NB1818	CARRIAGE BOLT 1/4"x 1-3/4" G5
	11	2	NB1860	WASHER 1/4" ZP
	12	2	NB1860	LOCK WASHER 1/4" ZP
	13	2	NB1902	WING NUT 1/4" ZP

Questions? Please call Poly-Tex, Inc. • PO Box 458, 27725 Danville Ave, Castle Rock, MN 55010 • (800) 852-3443 • (651)463-7009 • Fax (651) 463-7279 • www.poly-tex.com

Assembly Instructions

3.0 Base Unit

3.1 Frame

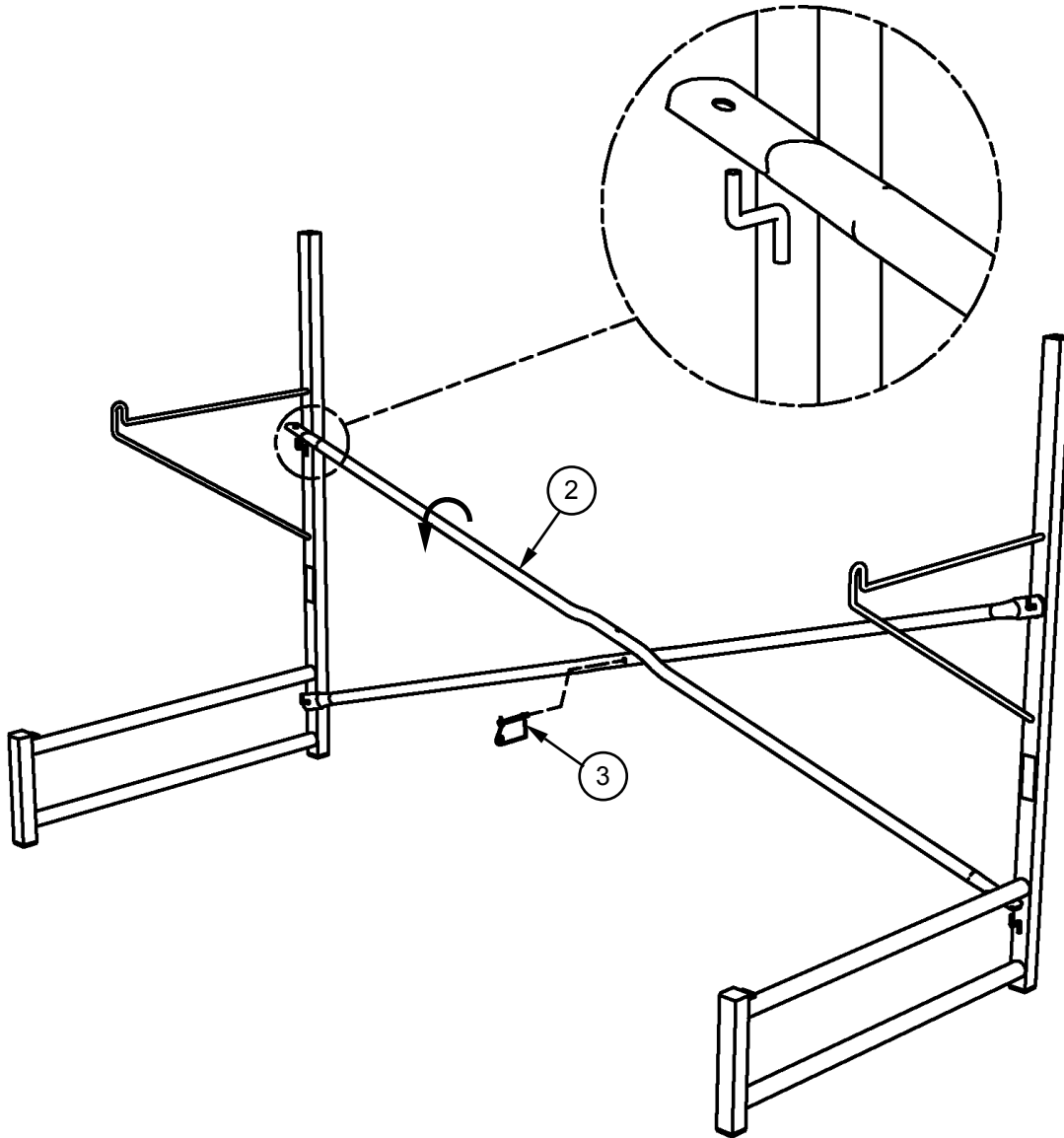


TAG #	QTY	ITEM #	DESCRIPTION
1	2	PX1011	BENCH FRAME TALL 3-LEVEL
2	1	PX1100	X-STABILIZER 6'

- Locate a wall or object and lean one End Frame PX1011 against during initial assembly. Lay the two Stabilizers, PX1100 on the floor near the back of the assembly location.
- Position the other End Frame at approximately the proper spacing and hold one Stabilizer above the two frame pins with the bend hanging down, as shown.
- Engage the Stabilizer on the lower pin first, then position the other, and rotate 90° until the Stabilizer is tight against the frame post.

Assembly Instructions

3.2 Stabilizer

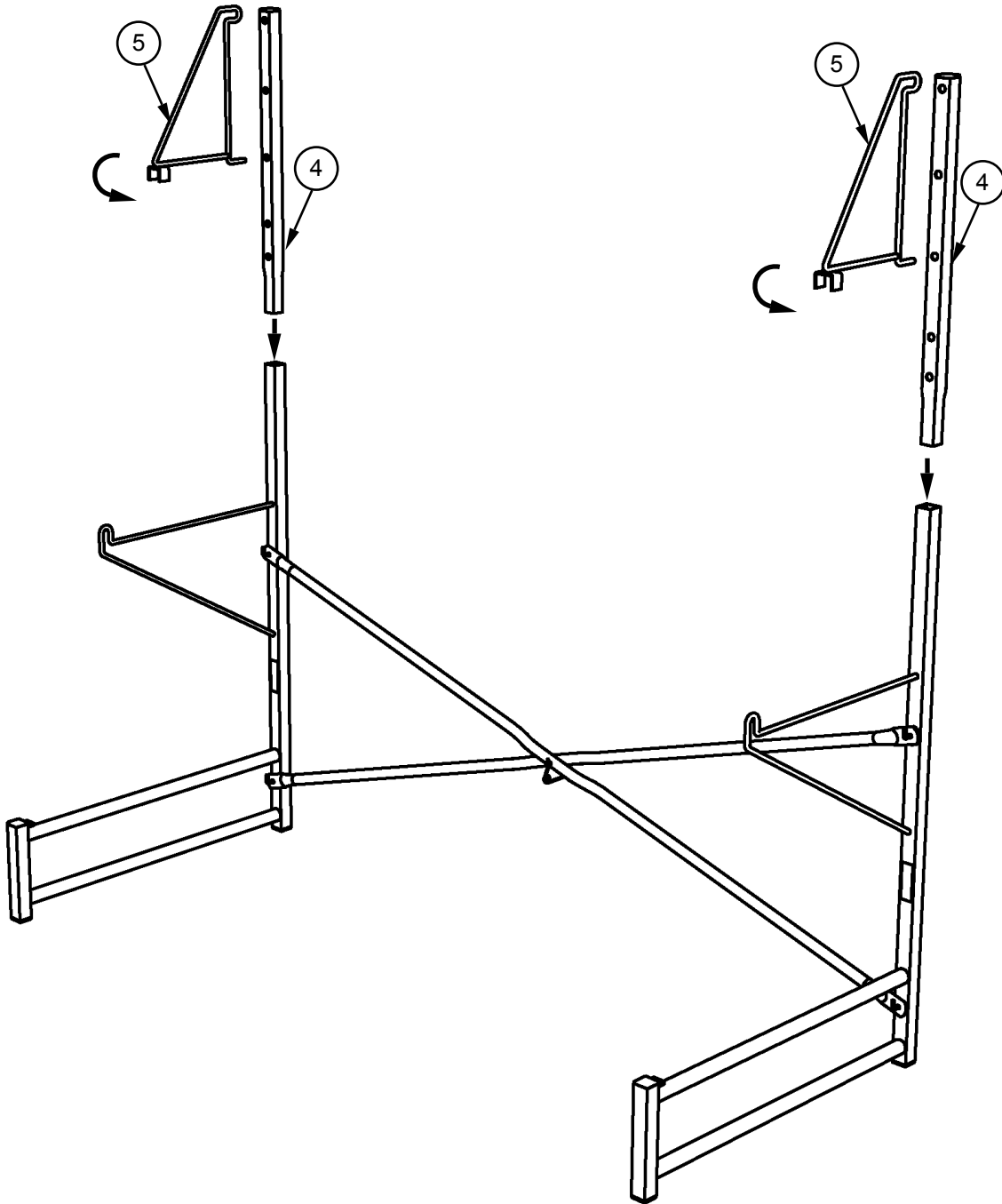


TAG #	QTY	ITEM #	DESCRIPTION
2	1	PX1100	X-STABILIZER 6'
3	1	NB1996	SNAPPER PIN.250"x2.25"

- Relocate the feet of the End Frame near the wall until both End Frames are plumb and hold this frame through the next step.
- Position the Stabilizer with the bend upward, first on the remaining lower pin, and then the final pin.
- Rotate the Stabilizer on the pins until it is against the back post. The bends in the Stabilizers should nest in an off-setting position so that the Stabilizers are nearly in the same plane.
- Install the Snapper Pin NB1996 through the holes in the center of the Stabilizers and snap closed.
- Align the Bench Frames parallel with each other and square with the Stabilizer group.

Assembly Instructions

3.3 Frame Extensions

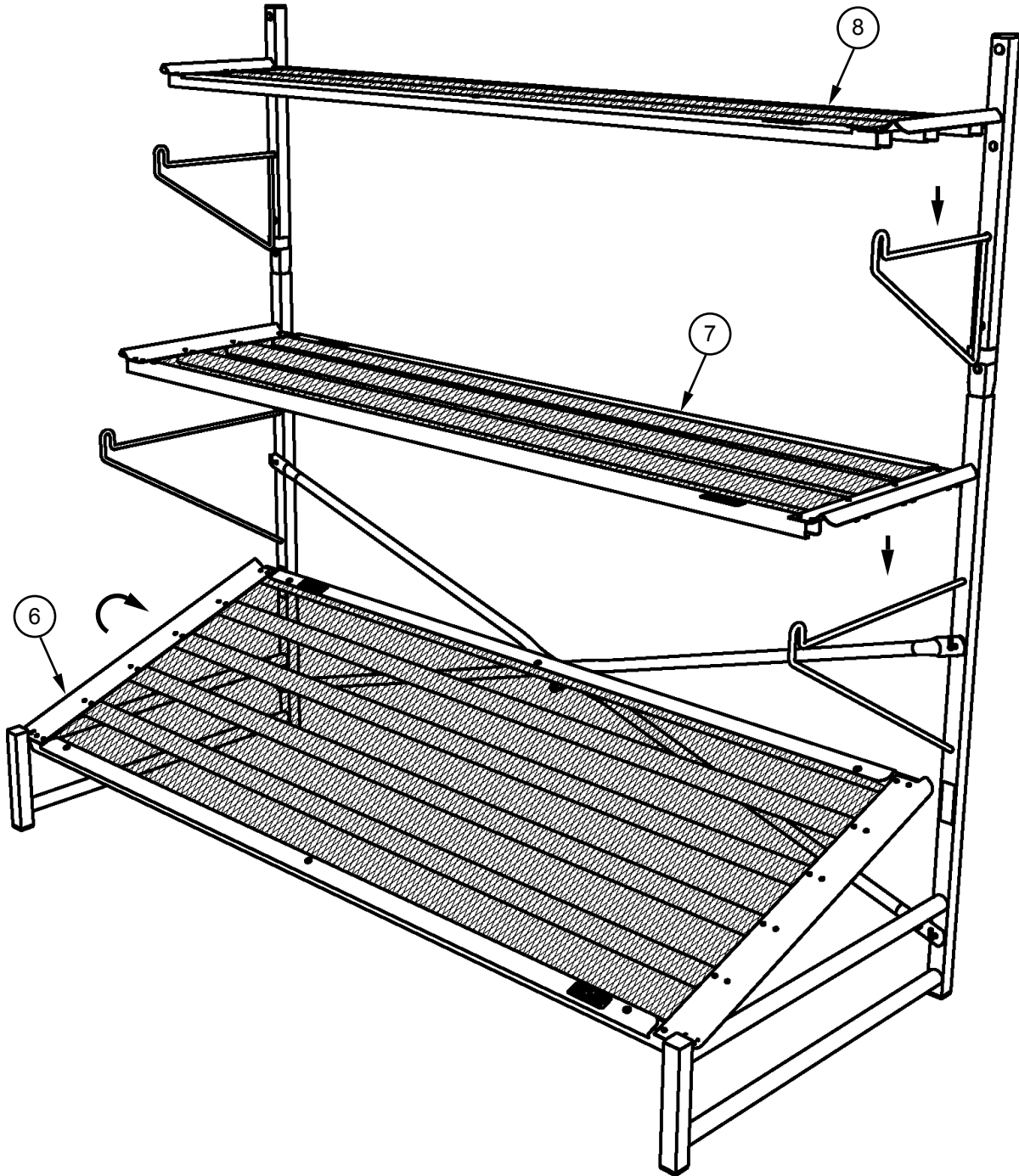


TAG #	QTY	ITEM #	DESCRIPTION
4	2	PX1103	FRAME EXTENSION 30-5H
5	2	BMS1138	12" V-BRACKET

- Insert each Frame Extension into the top of the Bench Frame with the holes facing forward. Tap with hammer or mallet if needed.
- Insert each V-Bracket into the middle hole of the Frame extension and rotate into place so that they are oriented as shown.

Assembly Instructions

3.4 Bench Tops



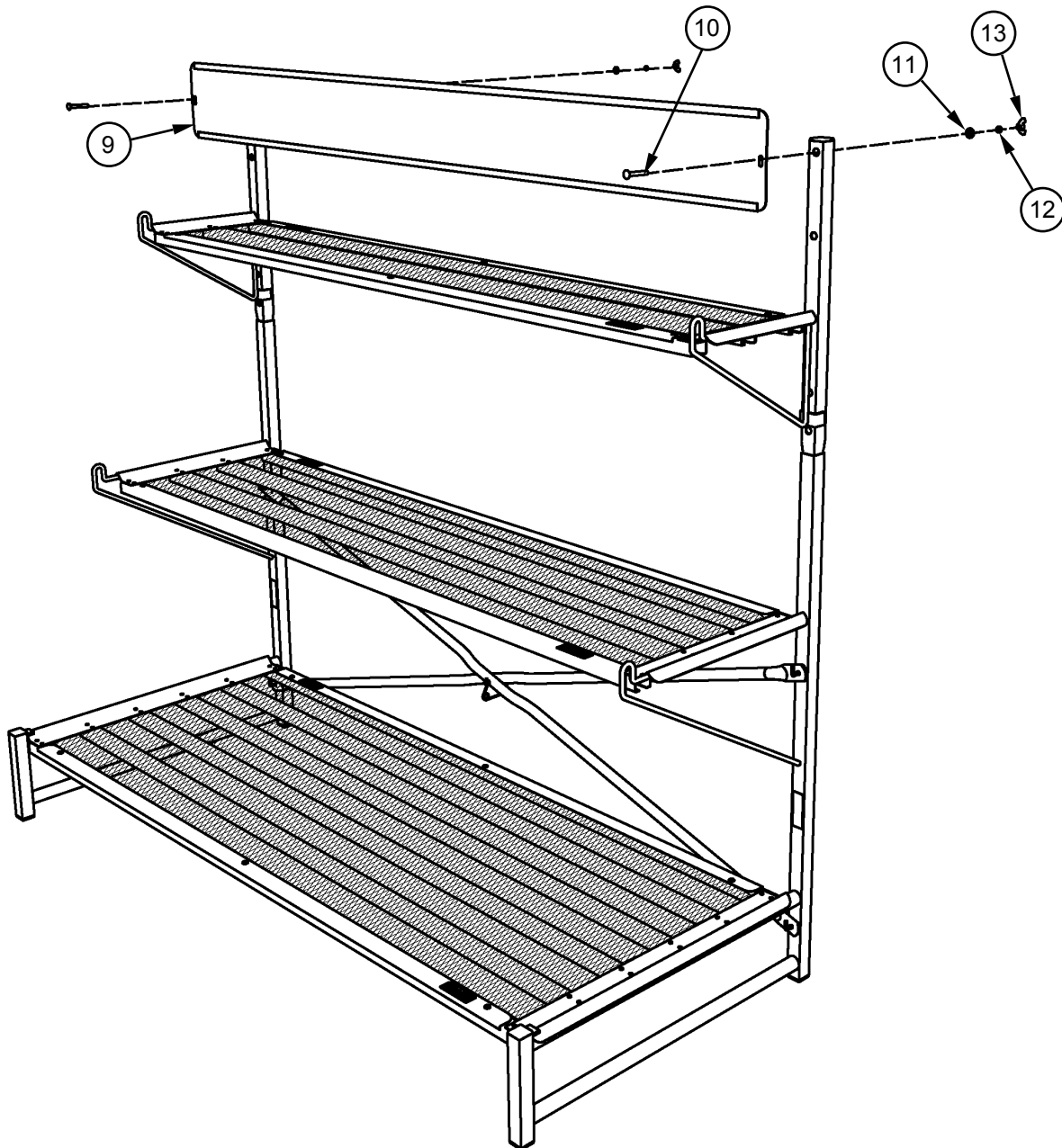
TAG #	QTY	ITEM #	DESCRIPTION
6	1	FK1001	BENCH TOP W/EXP 28-1/2"W x 6' LG
7	1	FK1000	BENCH TOP W/EXP 1'-6"W x 6' LG
8	1	FK1004	BENCH TOP W/EXP 12"W x 6' LG

- Position the lower Bench Top FK1001 with the bench ends over the bench supports of the End Frames.
- Engage the front of the Bench Top under the front tabs and lower the bench in place.
- Repeat the above instructions for each of the other Bench Tops. Frames will not have the tabs at every level.

Assembly Instructions

4.0 Accessories

4.1 Sign



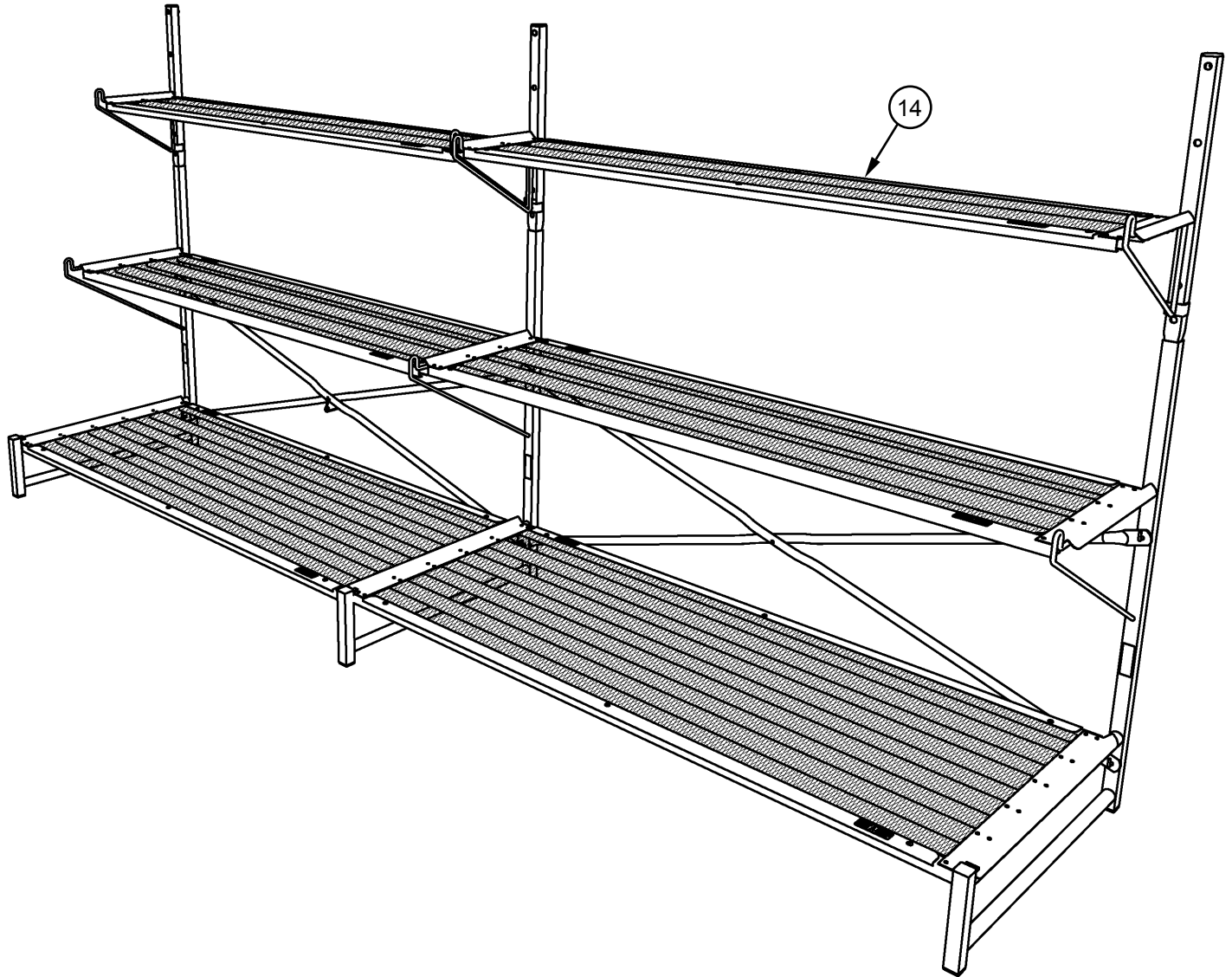
TAG #	QTY	ITEM #	DESCRIPTION
9	1	FB3074	SIGN HOLDER 7" x 72" W/ BEND
10	2	NB1818	CARRIAGE BOLT 1/4"x 1-3/4" G5
11	2	NB1866	WASHER 1/4" ZP
12	2	NB1860	LOCK WASHER 1/4" ZP
13	2	NB1902	WING NUT 1/4" ZP

- Attach Sign Holder with two bolts, washers, lock washers and nuts.
- Continuous runs of benches use a common Sign Post between Sign Holders.

Assembly Instructions

5.0 Connecting Run

5.1 Connection Extension



TAG #	QTY	ITEM #	DESCRIPTION
14	1	PX7026-XT6	TALL 3-LEVEL DISPLAY- 6' EXTENS

- Assemble the Extension in the same manner and sequence as the original base and accessories.

Assembly Instructions

SAFETY GUIDELINES

Do not climb, sit on or use this product as a ladder. Injuries may occur.

Do not place or install electrical items on this product. Wet conditions are typical and electrical shock may occur.

Do not place this product on a slope that exceeds 3 degrees.

Do not move this display after product is in place. Damage to the display and injuries may occur.

CARE & MAINTENANCE

To remove loose soil and debris, simply spray the soiled areas with water from a garden hose.

Prior to storage, all surfaces of this product should be sprayed down with water and allowed to dry completely.

Limited Warranty

Poly-Tex Inc. warrants its products to be free from defects in material and workmanship for a period of (1) year from date of invoice. This warranty is provided to the original purchaser of the product and is not transferable. Poly-Tex does not warrant parts not manufactured by Poly-Tex, but does assign any transferable manufacturer or supplier warranties. Should any defect be found, full repair or replacement will be rendered to the customer at no cost following inspection by a Poly-Tex representative and the return of the defective product to our Castle Rock, MN factory. Expenses for removal or reinstallation of defective products will not be covered by the warranty.

POLY-TEX SHALL NOT BE HELD RESPONSIBLE FOR ANY SPECIAL OR CONSEQUENTIAL DAMAGES, OR FOR ANY DELAY IN PERFORMANCE OF THIS WARRANTY BEYOND OUR CONTROL. THIS WARRANTY IS EXCLUSIVE AND IN LIEU OF ALL OTHER WARRANTIES WHETHER IMPLIED, WRITTEN OR ORAL INCLUDING THE WARRANTIES OF MERCHANTABILITY AND FITNESS FOR A PARTICULAR PURPOSE.

This warranty does not cover damage from customer abuse, misuse, improper installation, customer modifications, customer negligence in performing normal maintenance, damage resulting from acts of nature.

Contact information:
Poly-Tex, Inc. PO Box 458
27725 Danville Ave Castle Rock, MN 55010
Toll free (800) 852-3443 Fax (651) 463-2479
www.poly-tex.com