

DOUBLE BENCH DISPLAY 4'

PX7022



Assembly Instructions



Important!

Please read these instructions carefully before beginning to assemble this display. Save these instructions for future reference.

Revision: AA-140219

Assembly Instructions

1.0 Product Number Cross-Reference

DOUBLE BENCH DISPLAY 4'				
DESCRIPTION	GALVANIZED	RED	BLACK	GREEN
BENCH FRAME DBL BENCH 4'	PX1013	PR1013	PK1013	PG1013
SNAPPER PIN.250"x2.25"	NB1996			
PX7022 6' BENCH				
X-STABILIZER 6'	PX1100	PR1100	PK1100	PG1100
BENCH TOP W/EXP 23"W x 6' LG	FK1003	PR1173	PK1173	PG1173
PX7022 4' BENCH				
X-STABILIZER 4'	PX1101	PR1101	PK1101	PG1101
BENCH TOP W/EXP 23"W x 4' LG	FK1011	PR1143	PK1143	PG1143

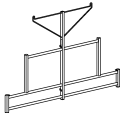

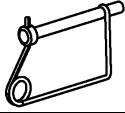
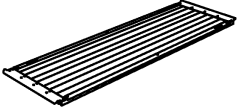
OPTIONAL PARTS				
OPTIONAL PURLIN SUPPORT				
PURLIN EXTENSION QUAD	PX1107	PR1107	PK1107	PG1107
6' PURLIN				
6'-1 1/2" BASKET PURLIN -95	GM4000	PR1177	PK1177	PG1177
4' PURLIN				
49 1/2" BASKET PURLIN	FB2535	PR1147	PK1147	PG1147
OPTIONAL SIGN SUPPORT				
SIGN POST EXTENSION	FB3072	PR1160	PK1160	PG1160
CARRIAGE BOLT 1/4"x 1-3/4" G5	NB1818			
LOCK WASHER 1/4" ZP	NB1860			
WING NUT 1/4" ZP	NB1902			
6' SIGN				
SIGN HOLDER 7" x 72" W/ BEND	FB3074	PR1176	PK1176	PG1176
4' SIGN				
SIGN HOLDER 7" x 48"	FB3075	PR1146	PK1146	PG1146

- Part number references are included in the instructions for the galvanized components. Refer to the second letter change in the part number for cross reference to the appropriate powder-coated color.



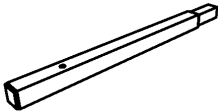

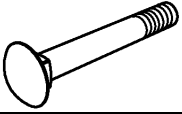


Assembly Instructions

2.0 Parts List

2.1 Base Unit

IMAGE	TAG #	QTY	ITEM #	DESCRIPTION
	1	2	PX1001	BENCH FRAME DBL TRI
	2	2	PX1100	X-STABILIZER 6'
	3	1	NB1996	SNAPPER PIN.250"x2.25"
	4	4	FK1003	BENCH TOP W/EXP 23"W x 6' LG

2.2 Optional Components

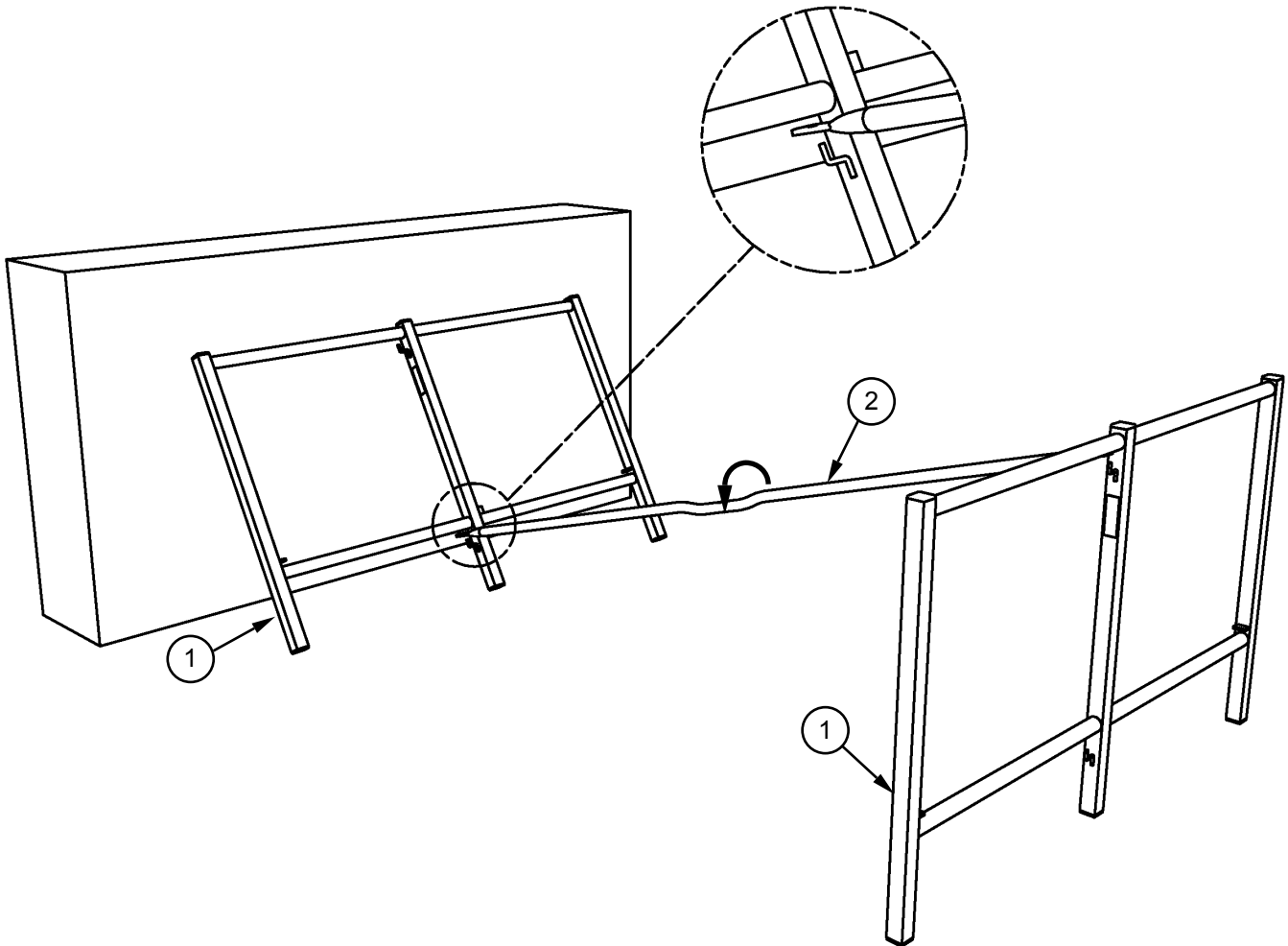
IMAGE	TAG #	QTY	ITEM #	DESCRIPTION
	5	2	PX1107	PURLIN EXTENSION QUAD
	6	4	GM4000	6'-1 1/2" BASKET PURLIN -95
	7	2	FB3072	SIGN POST EXTENSION
	8	2	FB3074	SIGN HOLDER 7" x 72" W/ BEND
	9	2	NB1818	CARRIAGE BOLT 1/4"x 1-3/4" G5
	10	2	NB1860	LOCK WASHER 1/4" ZP
	11	2	NB1902	WING NUT 1/4" ZP

Questions? Please call Poly-Tex, Inc. • PO Box 458, 27725 Darville Ave, Castle Rock, MN 55010 • (800) 852-3443 • (651)463-7009 • Fax (651) 463-7279 • www.poly-tex.com

Assembly Instructions

3.0 Base Unit

3.1 Frame

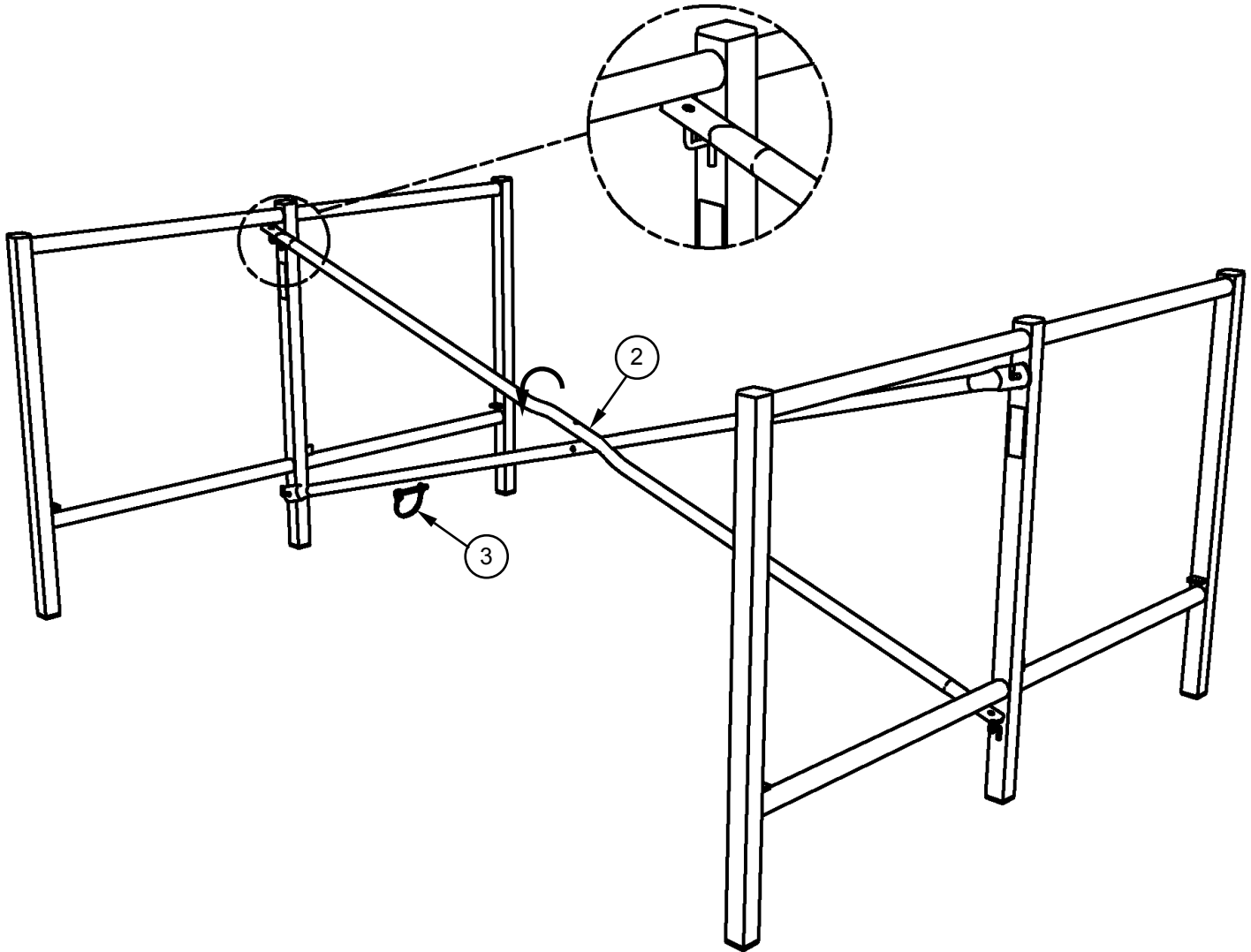


TAG #	QTY	ITEM #	DESCRIPTION
1	2	PX1013	BENCH FRAME DBL TRI
2	1	PX1100	X-STABILIZER 6'

- Locate a wall or object and lean one End Frame PX1013 against during initial assembly. Lay the two Stabilizers, PX1100 on the floor near the back of the assembly location.
- Position the other End Frame at approximately the proper spacing and hold one Stabilizer above the two frame pins with the bend hanging down, as shown.
- Engage the Stabilizer on the lower pin first, then position the other, and rotate 90° until the Stabilizer is tight against the frame post.

Assembly Instructions

3.2 Stabilizer

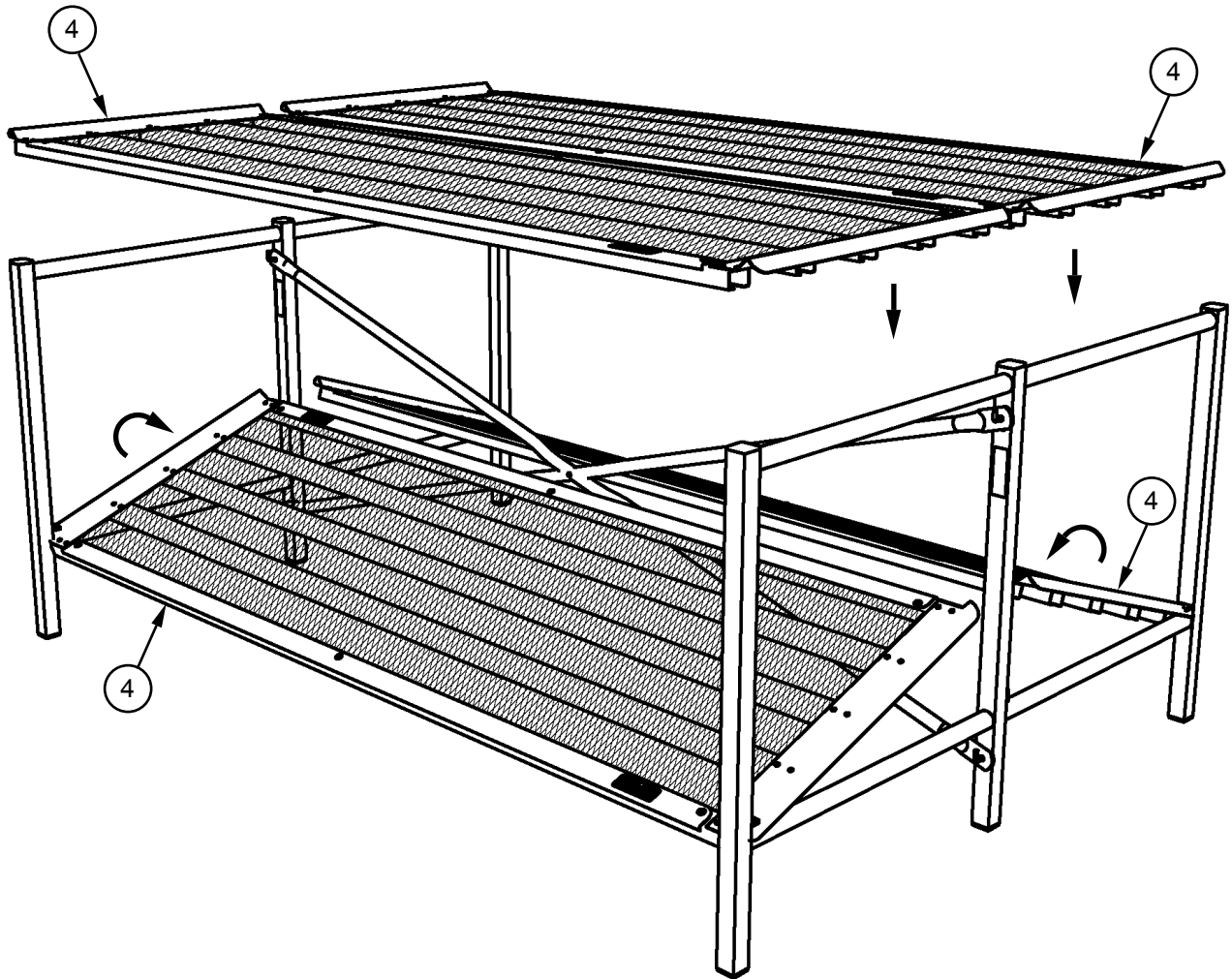


TAG #	QTY	ITEM #	DESCRIPTION
2	1	PX1100	X-STABILIZER 6'
3	1	NB1996	SNAPPER PIN.250"x2.25"

- Relocate the feet of the End Frame near the wall until both End Frames are plumb and hold this frame through the next step.
- Position the Stabilizer with the bend upward, first on the remaining lower pin, and then the final pin.
- Rotate the Stabilizer on the pins until it is against the back post. The bends in the Stabilizers should nest in an off-setting position so that the Stabilizers are nearly in the same plane.
- Install the Snapper Pin NB1996 through the holes in the center of the Stabilizers and snap closed.
- Align the Bench Frames parallel with each other and square with the Stabilizer group.

Assembly Instructions

3.3 Bench Tops



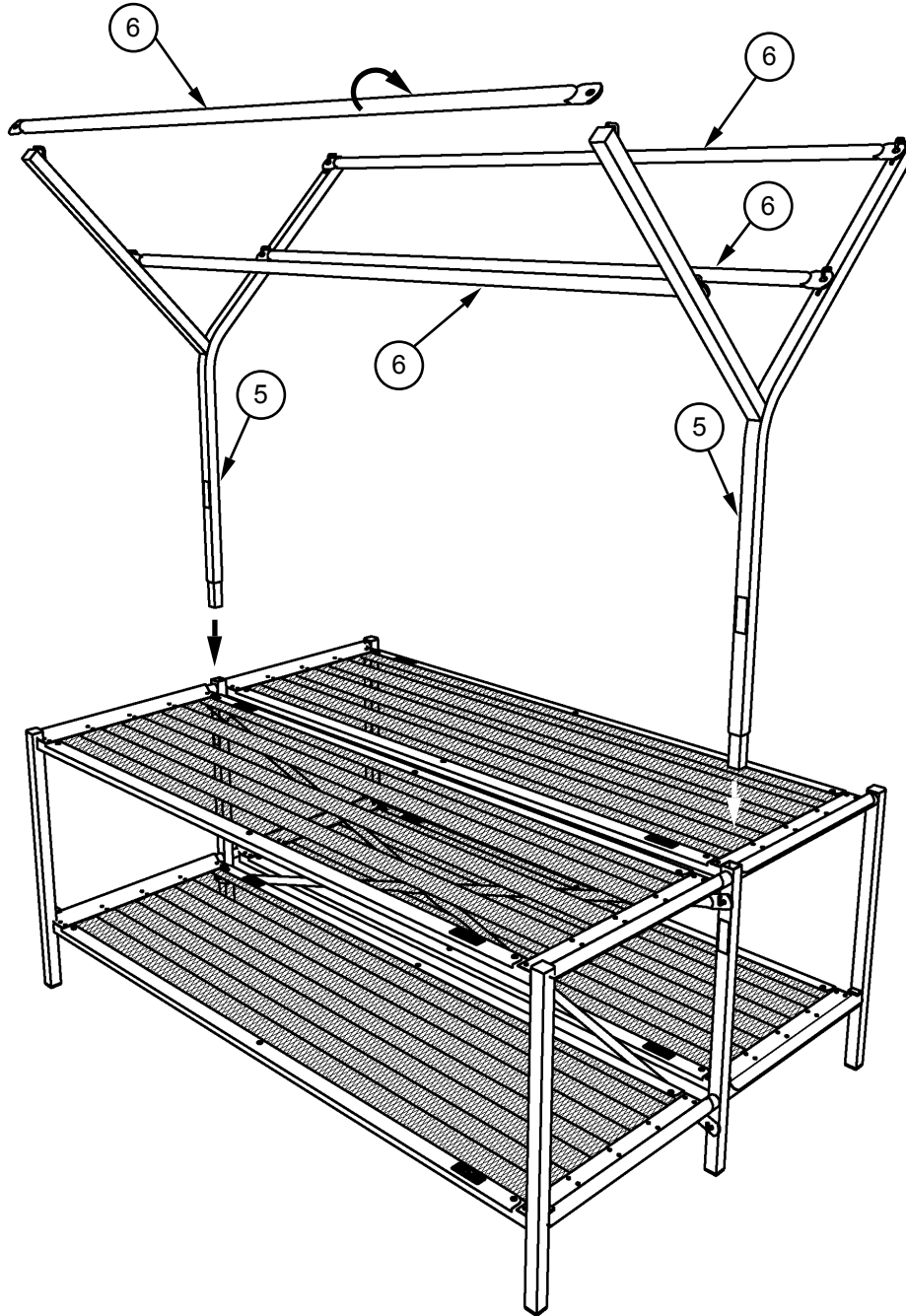
TAG #	QTY	ITEM #	DESCRIPTION
4	4	FK1003	BENCH TOP W/EXP 23"W x 6' LG

- Position the lower Bench Top FK1003 with the bench ends over the bench supports of the End Frames.
- Engage the front of the Bench Top under the front tabs and lower the bench in place.
- Repeat the above instructions for each of the other Bench Tops. Frames will not have the tabs at every level.

Assembly Instructions

4.0 Accessories

4.1 Purlins

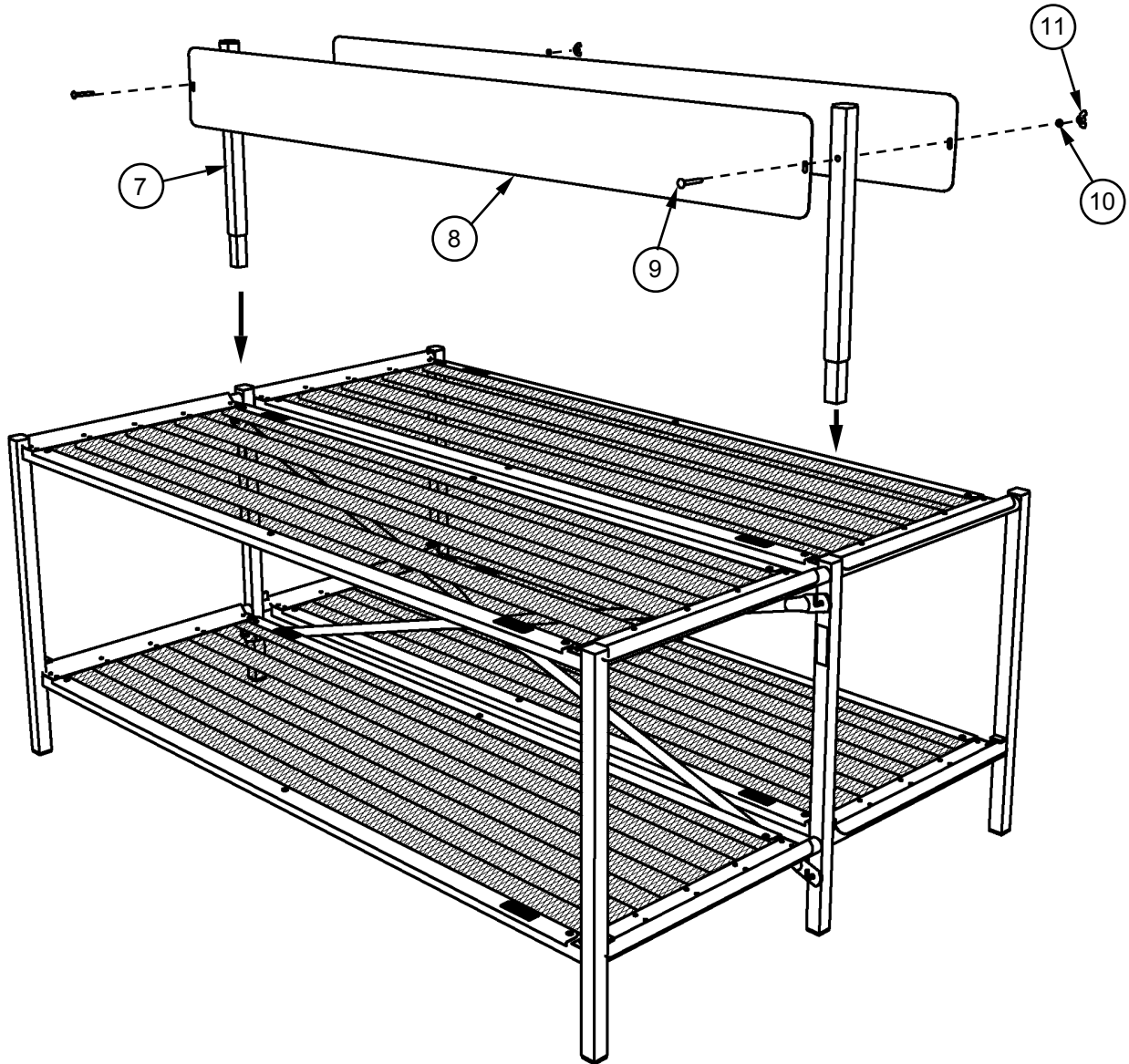


TAG #	QTY	ITEM #	DESCRIPTION
5	2	PX1107	PURLIN EXTENSION QUAD
6	4	GM4000	6'-1 1/2" BASKET PURLIN -95

- Insert a Purlin Extension PX1107 in each middle post with the sticker facing forward.
- Position a Basket Purlin GM4000 under the lower clips of each Purlin Extension and rotate 180° until the purlin is secure.
- Repeat the action for the upper Basket Purlin. Repeat again for Purlins on the other leg of the extension.
- Continuous runs of benches use a common Purlin Extension between pairs of Purlins.

Assembly Instructions

4.2 Sign Holder

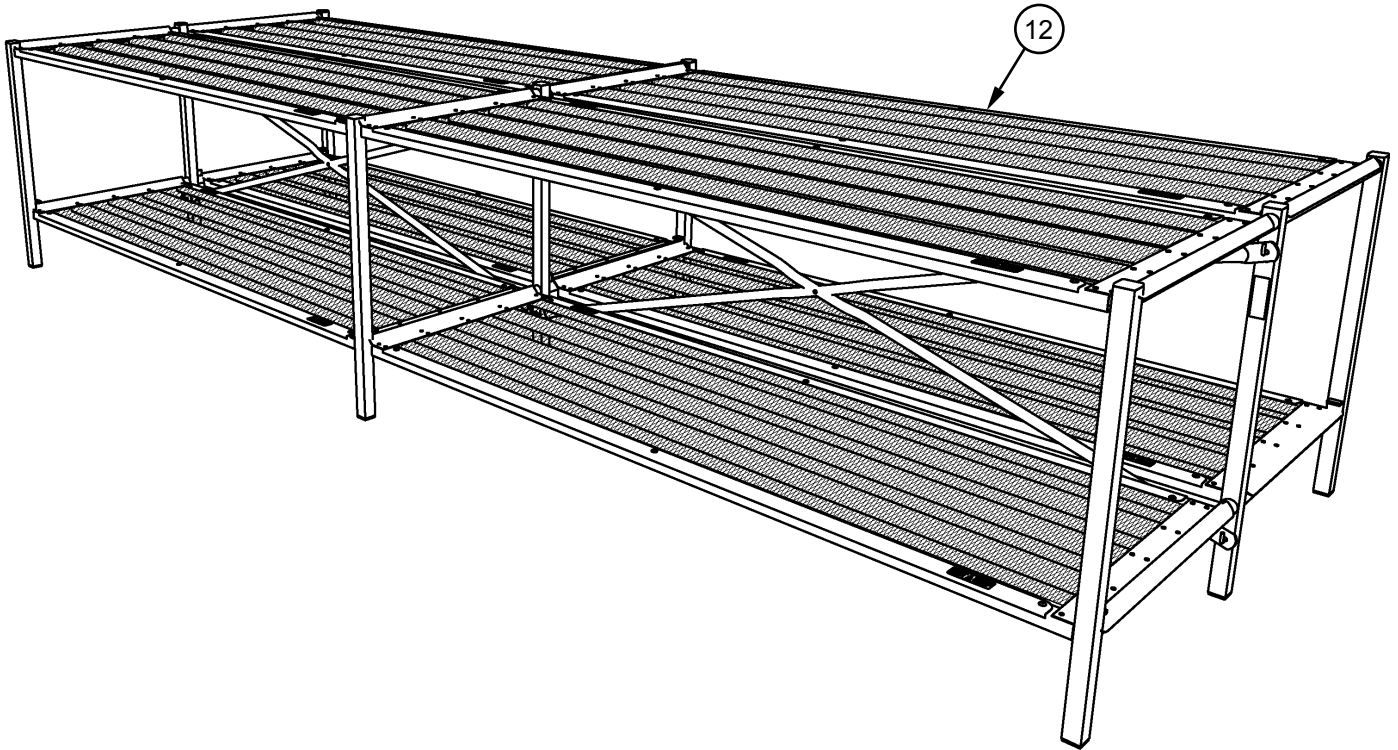


TAG #	QTY	ITEM #	DESCRIPTION
7	2	FB3072	SIGN POST EXTENSION
8	2	FB3074	SIGN HOLDER 7" x 72" W/ BEND
9	2	NB1818	CARRIAGE BOLT 1/4"x 1-3/4" G5
10	2	NB1860	LOCK WASHER 1/4" ZP
11	2	NB1902	WING NUT 1/4" ZP

- Insert a Sign Post FB3072 in each back post with the holes facing forward.
- Attach Sign Holder with two bolts, washers, and nuts.
- Continuous runs of benches use a common Sign Post between Sign Holders.
- Sign Holders may be installed back-to-back using the same set of hardware.

Assembly Instructions

5.0 Connecting Run 5.1 Connection Extension



TAG #	QTY	ITEM #	DESCRIPTION
12	1	PX7022-XT6	DOUBLE BENCH DISPLAY 4'-6' EX

- Assemble the Extension in the same manner and sequence as the original base and accessories.
- NOTE: Extended runs of this product are not intended to be used on Casters.

Assembly Instructions

SAFETY GUIDELINES

Do not climb, sit on or use this product as a ladder. Injuries may occur.

Do not place or install electrical items on this product. Wet conditions are typical and electrical shock may occur.

Do not place this product on a slope that exceeds 3 degrees.

Do not move this display after product is in place. Damage to the display and injuries may occur.

CARE & MAINTENANCE

To remove loose soil and debris, simply spray the soiled areas with water from a garden hose.

Prior to storage, all surfaces of this product should be sprayed down with water and allowed to dry completely.

Limited Warranty

Poly-Tex Inc. warrants its products to be free from defects in material and workmanship for a period of (1) year from date of invoice. This warranty is provided to the original purchaser of the product and is not transferable. Poly-Tex does not warrant parts not manufactured by Poly-Tex, but does assign any transferable manufacturer or supplier warranties. Should any defect be found, full repair or replacement will be rendered to the customer at no cost following inspection by a Poly-Tex representative and the return of the defective product to our Castle Rock, MN factory. Expenses for removal or reinstallation of defective products will not be covered by the warranty.

POLY-TEX SHALL NOT BE HELD RESPONSIBLE FOR ANY SPECIAL OR CONSEQUENTIAL DAMAGES, OR FOR ANY DELAY IN PERFORMANCE OF THIS WARRANTY BEYOND OUR CONTROL. THIS WARRANTY IS EXCLUSIVE AND IN LIEU OF ALL OTHER WARRANTIES WHETHER IMPLIED, WRITTEN OR ORAL INCLUDING THE WARRANTIES OF MERCHANTABILITY AND FITNESS FOR A PARTICULAR PURPOSE.

This warranty does not cover damage from customer abuse, misuse, improper installation, customer modifications, customer negligence in performing normal maintenance, damage resulting from acts of nature.

Contact information:
Poly-Tex, Inc. PO Box 458
27725 Danville Ave Castle Rock, MN 55010
Toll free (800) 852-3443 Fax (651) 463-2479
www.poly-tex.com