

# TRI-STEP DISPLAY

PX7020



## Assembly Instructions



### Important!

Please read these instructions carefully before beginning to assemble this display. Save these instructions for future reference.

Revision: AA-140124

# Assembly Instructions

## 1.0 Product Number Cross-Reference

<b>TRI-STEP DISPLAY</b>				
<b>DESCRIPTION</b>	<b>GALVANIZED</b>	<b>RED</b>	<b>BLACK</b>	<b>GREEN</b>
BENCH FRAME TRI-STEP	PX1000	PR1000	PK1000	PG1000
SNAPPER PIN.250"x2.25"	NB1996			
<b>PX7020 6' BENCH</b>				
X-STABILIZER 6'	PX1100	PR1100	PK1100	PG1100
BENCH TOP W/EXP 12"W x 6' LG	FK1004	PR1171	PK1171	PG1171
BENCH TOP W/EXP 1'-6"W x 6' LG	FK1000	PR1172	PK1172	PG1172
BENCH TOP W/EXP 23"W x 6' LG	FK1003	PR1173	PK1173	PG1173
<b>PX7020 4' BENCH</b>				
X-STABILIZER 4'	PX1101	PR1101	PK1101	PG1101
BENCH TOP W/EXP 12"W x 4' LG	FK1008	PR1141	PK1141	PG1141
BENCH TOP W/EXP 1'-6"W x 4' LG	FK1010	PR1142	PK1142	PG1142
BENCH TOP W/EXP 23"W x 4' LG	FK1011	PR1143	PK1143	PG1143

<b>OPTIONAL PARTS</b>				
<b>OPTIONAL CASTERS</b>				
5" CASTER/EXP 1-1/4" W/BRAKE	FB2513			
<b>OPTIONAL PURLIN SUPPORT</b>				
PURLIN EXTENSION DBL	PX1105	PR1105	PK1105	PG1105
<b>6' PURLIN</b>				
6'-1 1/2" BASKET PURLIN -95	GM4000	PR1177	PK1177	PG1177
<b>4' PURLIN</b>				
49 1/2" BASKET PURLIN	FB2535	PR1147	PK1147	PG1147
<b>OPTIONAL SIGN SUPPORT</b>				
SIGN POST EXTENSION	FB3072	PR1160	PK1160	PG1160
CARRIAGE BOLT 1/4"x 1-3/4" G5	NB1818			
LOCK WASHER 1/4" ZP	NB1860			
WING NUT 1/4" ZP	NB1902			
<b>6' SIGN</b>				
SIGN HOLDER 7" x 72" W/ BEND	FB3074	PR1176	PK1176	PG1176
<b>4' SIGN</b>				
SIGN HOLDER 7" x 48" W/ BEND	FB3075	PR1146	PK1146	PG1146

- Part number references are included in the instructions for the galvanized components. Refer to the second letter change in the part number for cross reference to the appropriate powder-coated color.




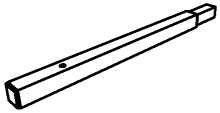
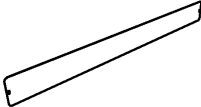
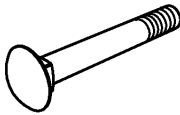


## Assembly Instructions

### 2.0 Parts List

#### 2.1 Base Unit

IMAGE	TAG #	QTY	ITEM #	DESCRIPTION
	1	2	PX1000	BENCH FRAME TRI-STEP
	2	2	PX1100	X-STABILIZER 6'
	3	1	NB1996	SNAPPER PIN .250"x1.75"
	4	1	FK1004	BENCH TOP W/EXP. 12"x6' LG
	5	2	FK1003	BENCH TOP W/EXP. 23"x6' LG
	6	1	FK1000	BENCH TOP W/EXP. 1'-6"x6' LG

#### 2.2 Optional Components

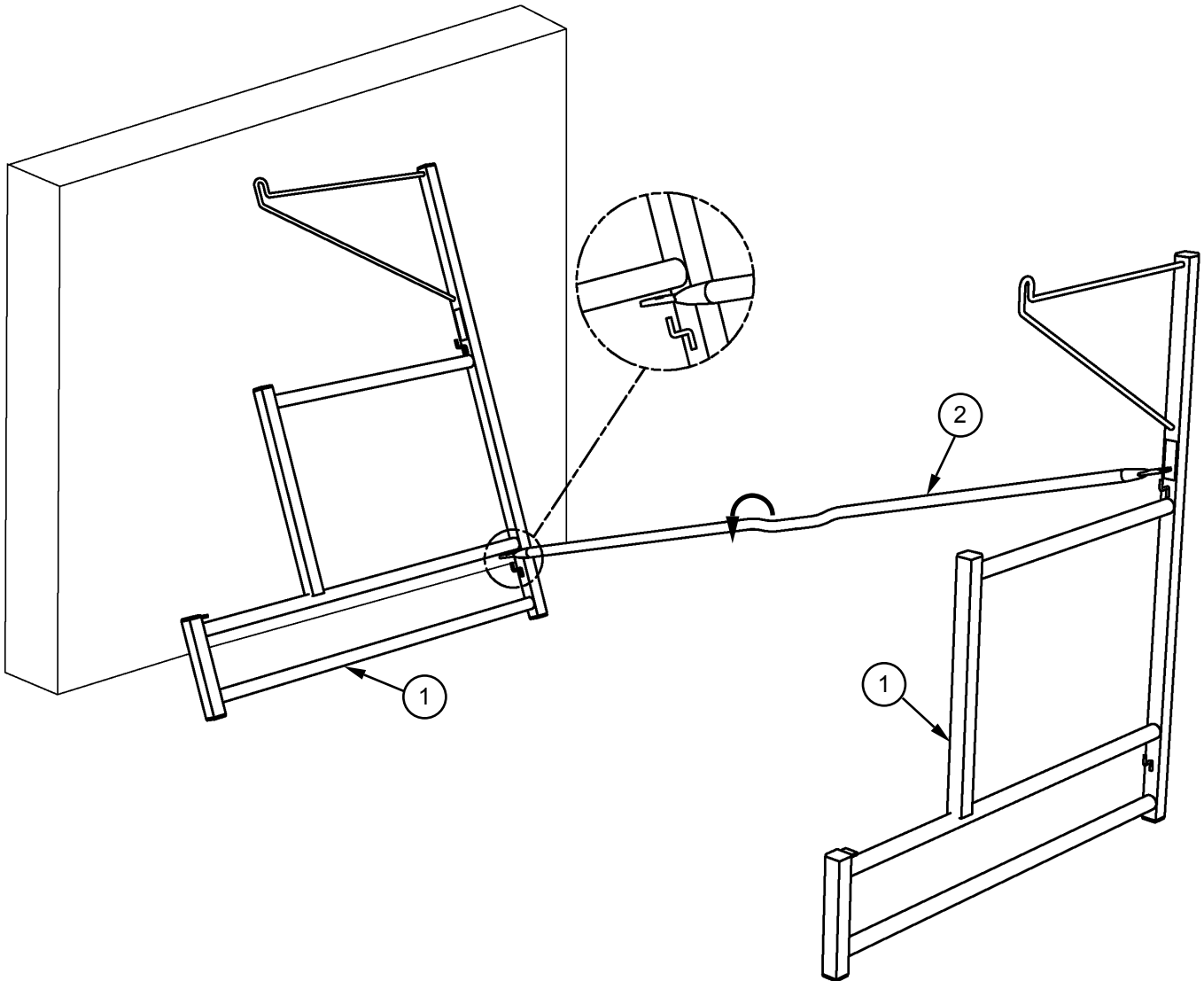
IMAGE	TAG #	QTY	ITEM #	DESCRIPTION
	7	4	FB2513	5" CASTER/EXP 1-1/4" W/BRAKE
	8	2	PX1105	PURLIN EXTENSION DBL
	9	2	GM4000	6' -1-1/2" BASKET PURLIN
	10	2	FB3072	SIGN POST EXTENSION
	11	1	FB3074	SIGN HOLDER 7" x 72" W / BEND
	12	2	NB1818	CARRIAGE BOLT 1/4"x 1-3/4" G5
	13	2	NB1860	LOCK WASHER 1/4 ZP
	14	2	NB1902	1/4" WING NUT

Questions? Please call Poly-Tex, Inc. • PO Box 458, 27725 Danville Ave, Castle Rock, MN 55010 • (800) 852-3443 • (651)463-7009 • Fax (651) 463-7279 • [www.poly-tex.com](http://www.poly-tex.com)

# Assembly Instructions

## 3.0 Base Unit

### 3.1 Frame

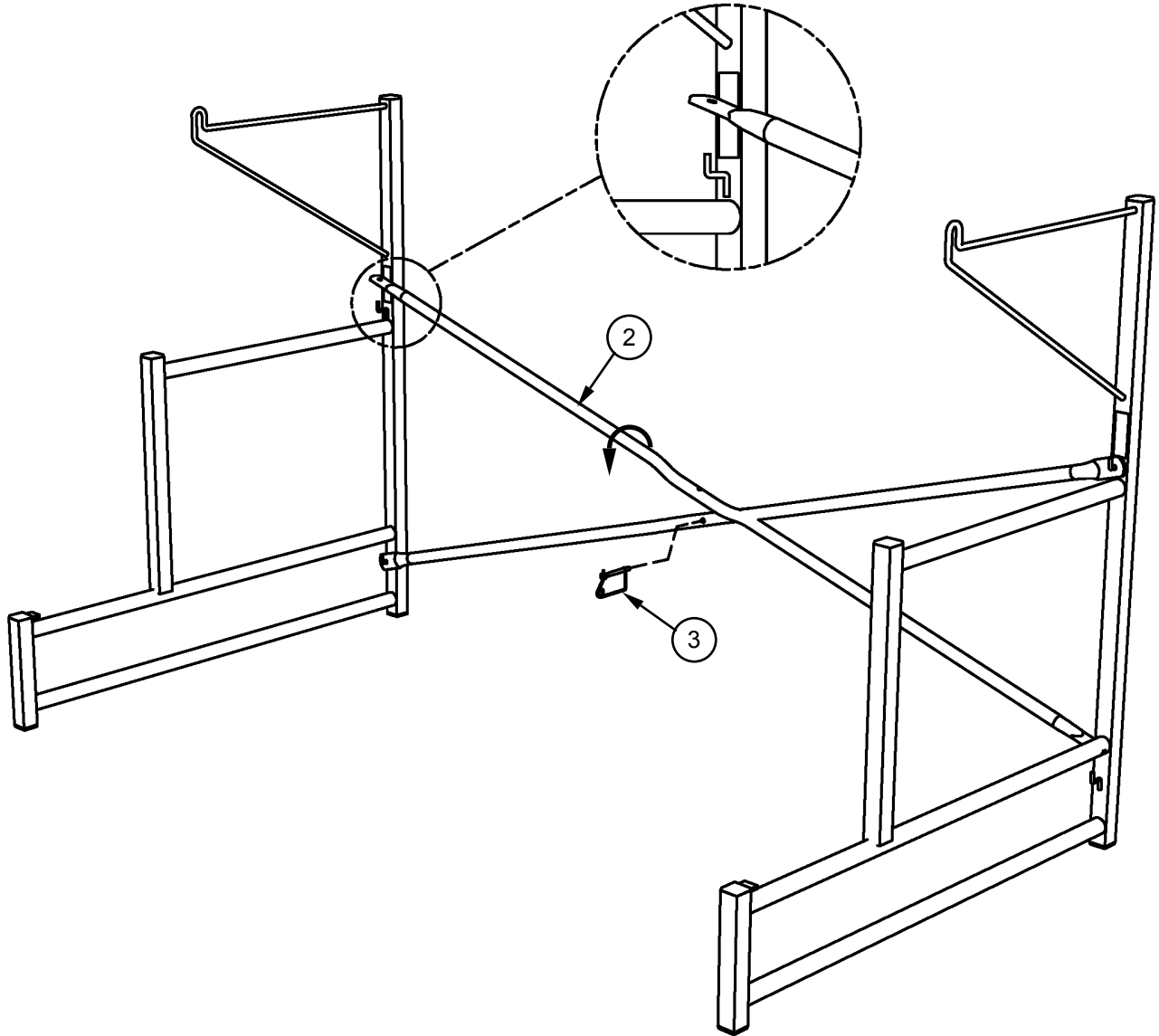


TAG #	QTY	ITEM #	DESCRIPTION
1	2	PX1000	BENCH FRAME TRI-STEP
2	1	PX1100	X-STABILIZER 6'

- If Casters are provided with this assembly, install them at this time according to step 4.1.
- Locate a wall or object and lean one End Frame PX1000 against during initial assembly. Lay the two Stabilizers, PX1100 on the floor near the back of the assembly location.
- Position the other End Frame at approximately the proper spacing and hold one Stabilizer above the two frame pins with the bend hanging down, as shown.
- Engage the Stabilizer on the lower pin first, then position the other, and rotate 90° until the Stabilizer is tight against the frame post.

## Assembly Instructions

### 3.2 Stabilizer

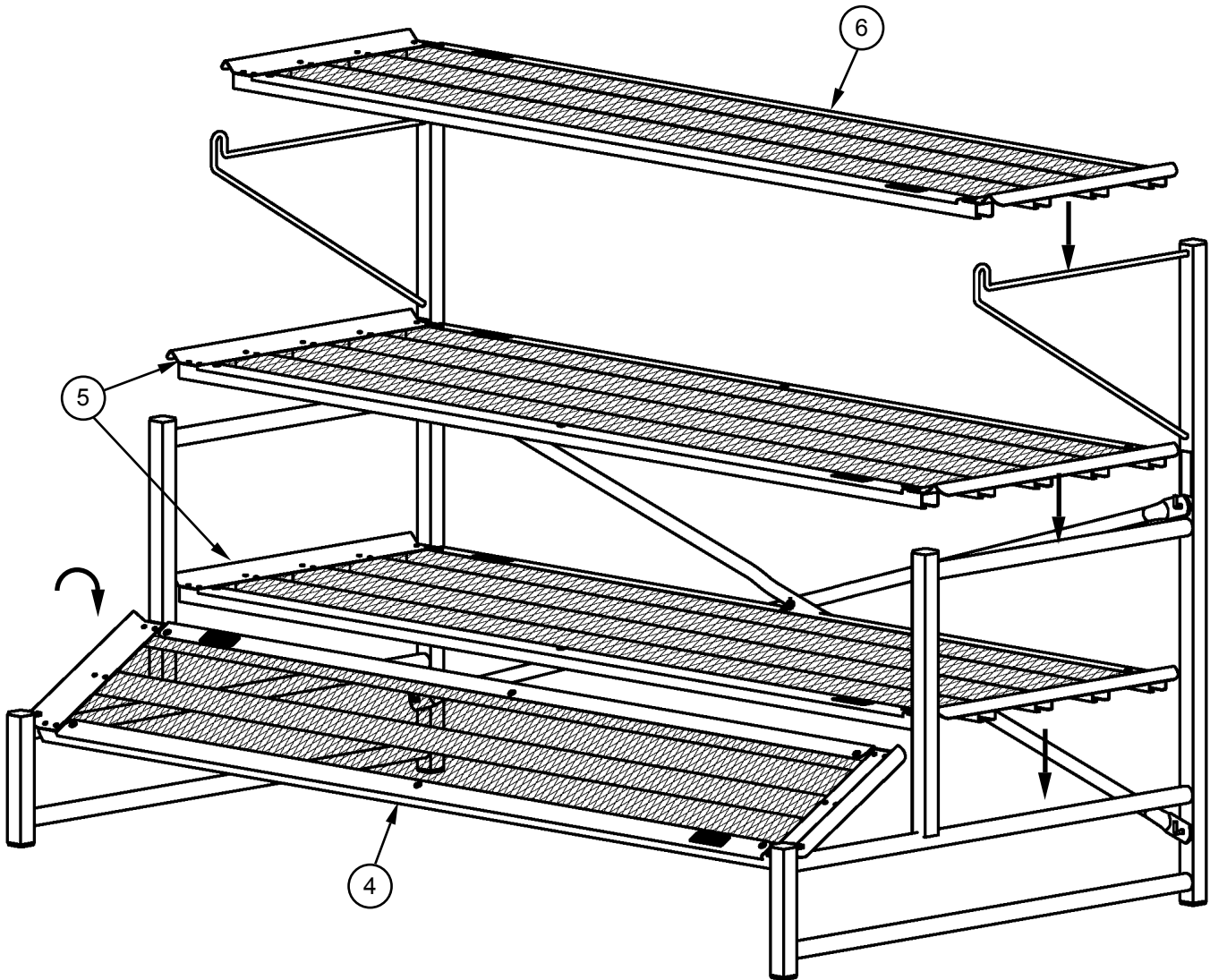


TAG #	QTY	ITEM #	DESCRIPTION
2	1	PX1100	X-STABILIZER 6'
3	1	NB1996	SNAPPER PIN .250"x1.75"

- Relocate the feet of the End Frame near the wall until both End Frames are plumb and hold this frame through the next step.
- Position the Stabilizer with the bend upward, first on the remaining lower pin, and then the final pin.
- Rotate the Stabilizer on the pins until it is against the back post. The bends in the Stabilizers should nest in an off-setting position so that the Stabilizers are nearly in the same plane.
- Install the Snapper Pin NB1996 through the holes in the center of the Stabilizers and snap closed.
- Align the Bench Frames parallel with each other and square with the Stabilizer group.

# Assembly Instructions

## 3.3 Bench Tops



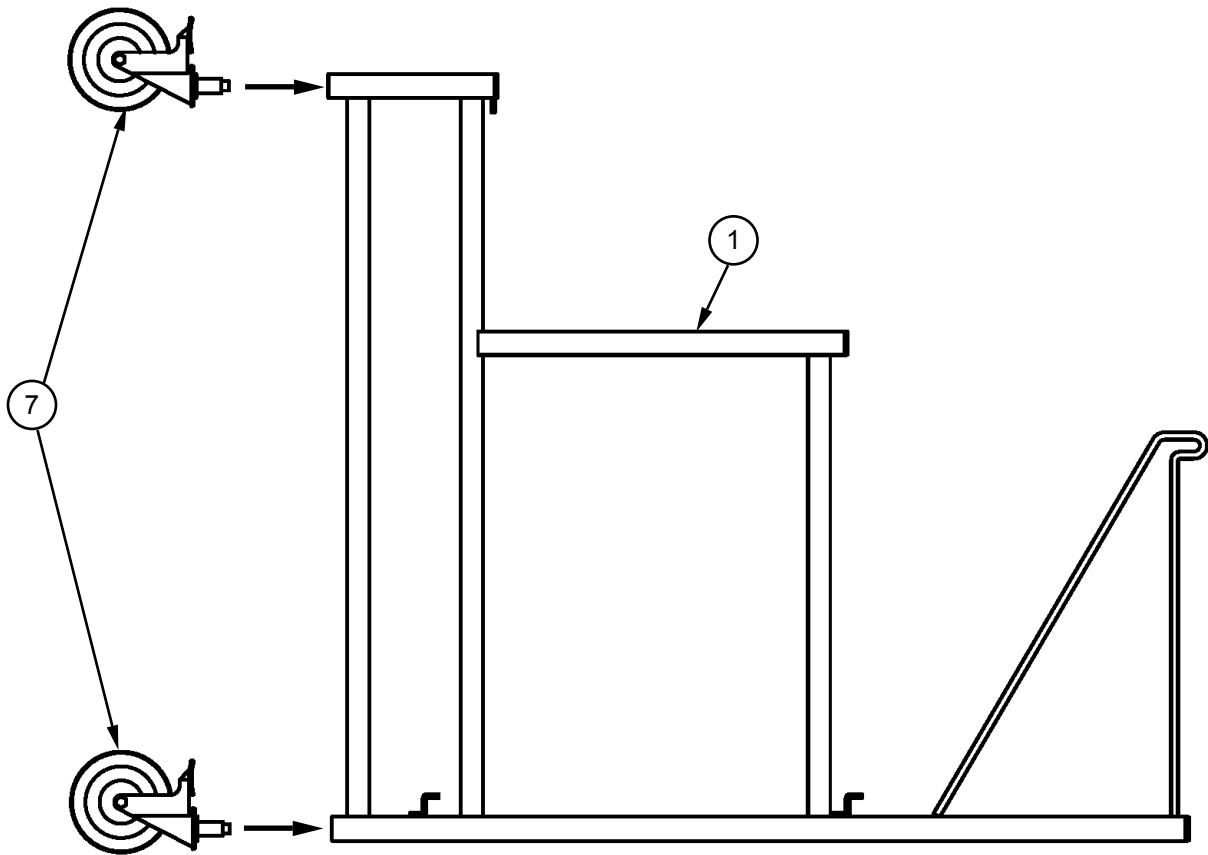
TAG #	QTY	ITEM #	DESCRIPTION
4	1	FK1004	BENCH TOP W/EXP. 12"x6' LG
5	2	FK1003	BENCH TOP W/EXP. 23"x6' LG
6	1	FK1000	BENCH TOP W/EXP. 1'-6"x6' LG

- Engage the front of the Bench Top FK1004 under the front tabs and lower the bench in place.
- Position the lower Bench Top FK1003 with the bench ends over the bench supports of the End Frames.
- Repeat the above instructions for each of the other Bench Tops. Frames will not have the tabs at every level.

# Assembly Instructions

## 4.0 Mobility Casters

### 4.1 Casters



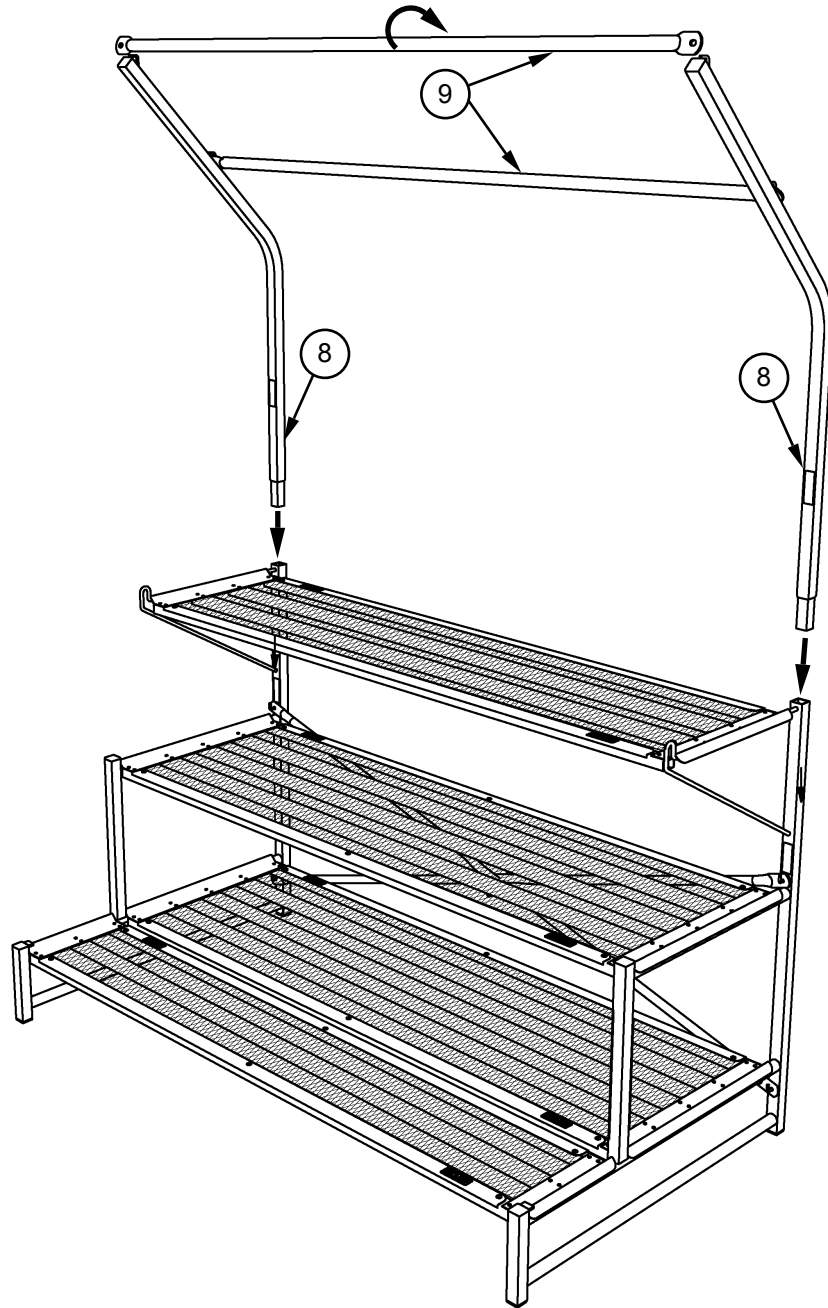
TAG #	QTY	ITEM #	DESCRIPTION
1	2	PX1000	BENCH FRAME TRI-STEP
7	4	FB2513	5" CASTER/EXP 1-1/4" W/BRAKE

- Prior to assembly of Display, turn each Base Frame on the back and remove the two Square Plugs, RS5001 from the bottoms of the posts.
- Insert a Caster stem fully into each post and rotate the collar of each caster until it fits firmly in place.
- Return the Base Assembly upright and lock the casters to maintain position.

# Assembly Instructions

## 5.0 Accessories

### 5.1 Purlins

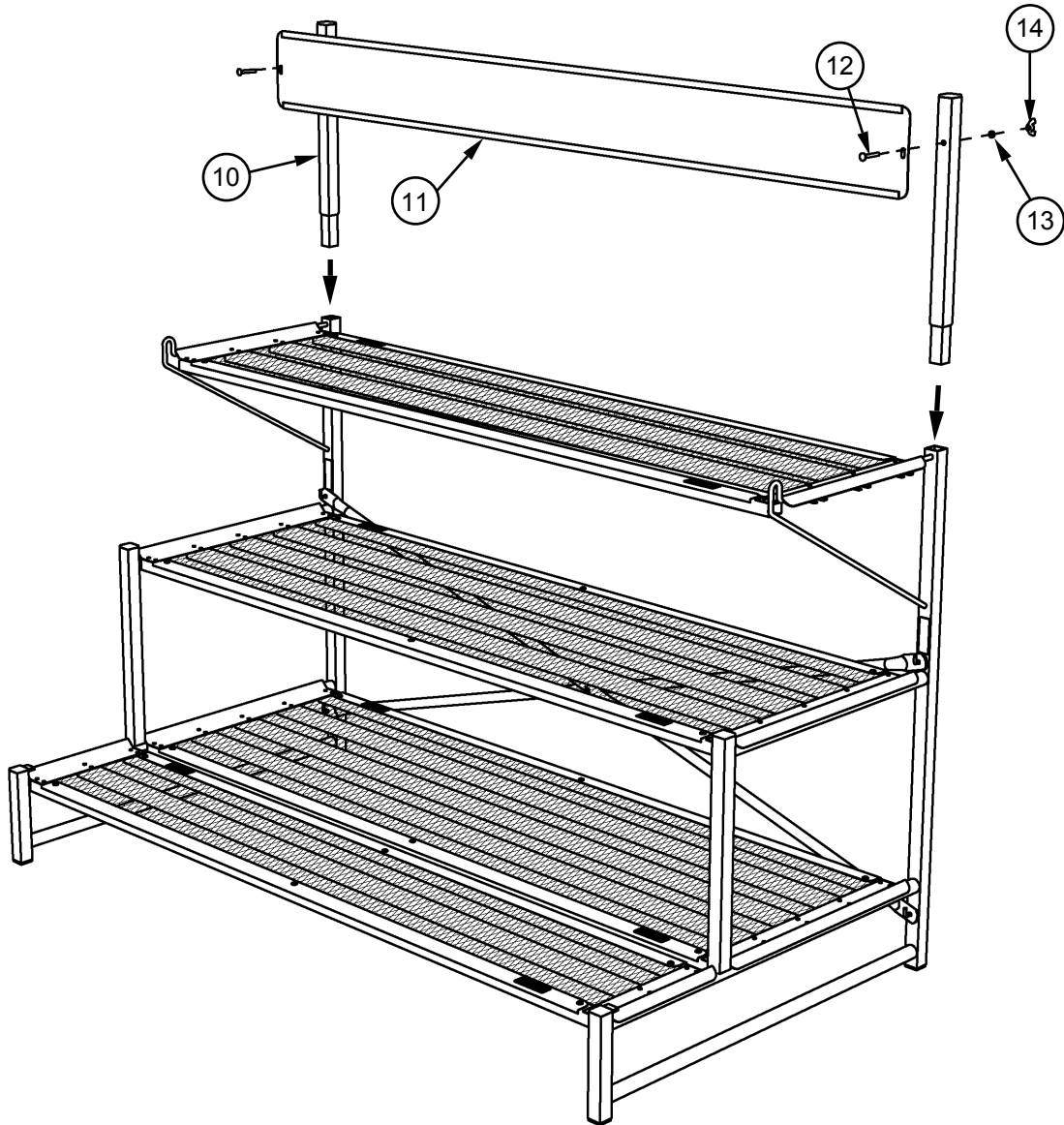


TAG #	QTY	ITEM #	DESCRIPTION
8	2	PX1105	PURLIN EXTENSION DBL
9	2	GM4000	6' -1-1/2" BASKET PURLIN

- Insert a Purlin Extension PX1105 in each back post with the projection facing forward.
- Position a Basket Purlin GM4000 under the lower clips of each Purlin Extension and rotate 180° until the purlin is secure.
- Repeat the action for the upper Basket Purlin.
- Continuous runs of benches use a common Purlin Extension between pairs of Purlins.

## Assembly Instructions

### 5.2 Sign Holder



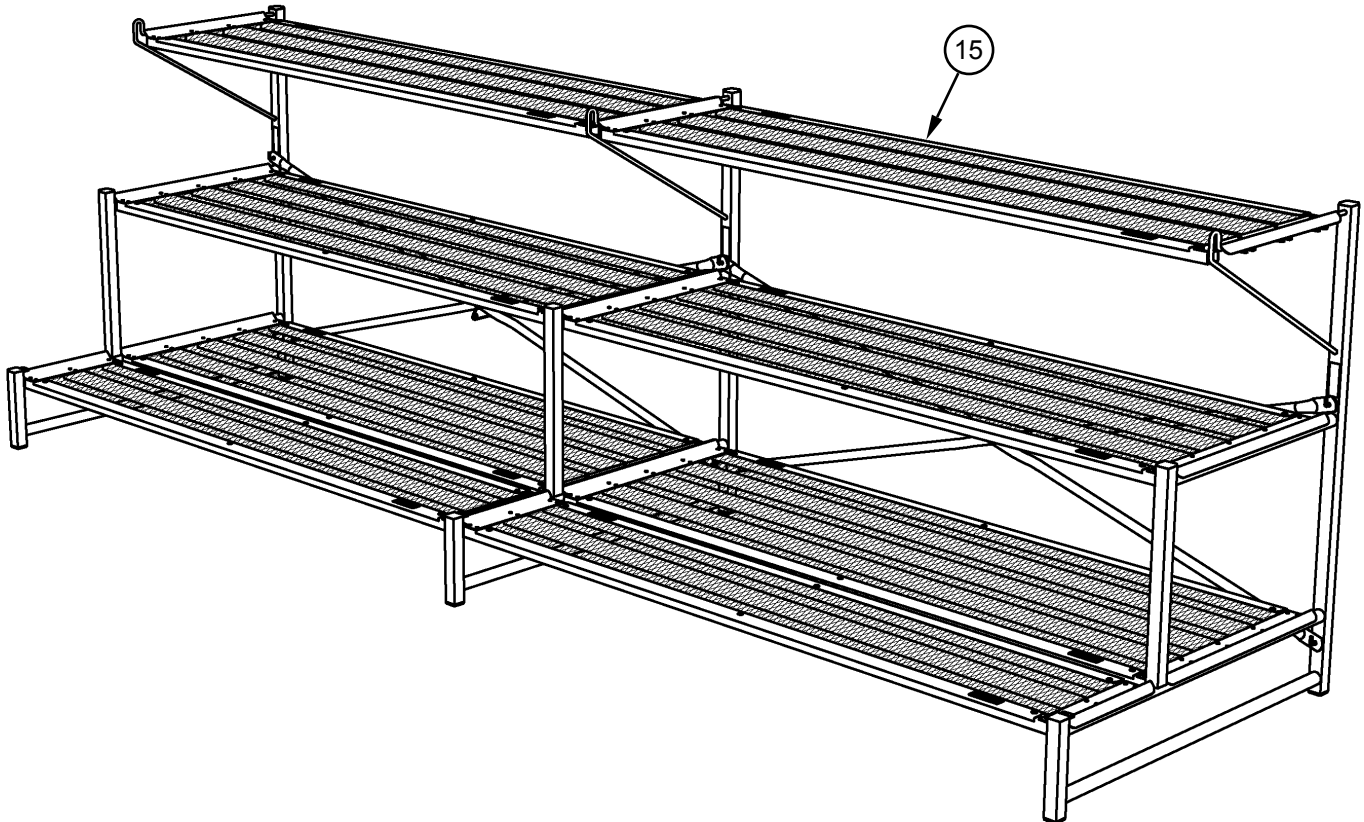
TAG #	QTY	ITEM #	DESCRIPTION
10	2	FB3072	POST SIGN HOLDER FB3009 ANGLED
11	1	FB3074	SIGN HOLDER 7" x 72" W / BEND
12	2	NB1818	CARRIAGE BOLT 1/4"x 1-3/4" G5
13	2	NB1860	LOCK WASHER 1/4 ZP
14	2	NB1902	1/4" WING NUT

- Insert a Sign Post FB3072 in each back post with the holes facing forward.
- Attach Sign Holder with two bolts, washers, and nuts.
- Continuous runs of benches use a common Sign Post between Sign Holders.
- Signs may be installed back-to-back using the same set of hardware.

# Assembly Instructions

## 6.0 Connecting Run

### 6.1 Connection Extension



TAG #	QTY	ITEM #	DESCRIPTION
15	1	PX7020-XT6	TRI-STEP DISPLAY-6' EXTENSION

- Assemble the Extension in the same manner and sequence as the original base and accessories.
- NOTE: Extended runs of this product are not intended to be used on Casters.

## Assembly Instructions

# SAFETY GUIDELINES

Do not climb, sit on or use this product as a ladder. Injuries may occur.

Do not place or install electrical items on this product. Wet conditions are typical and electrical shock may occur.

Do not place this product on a slope that exceeds 3 degrees.

Do not move this display after product is in place. Damage to the display and injuries may occur.

# CARE & MAINTENANCE

To remove loose soil and debris, simply spray the soiled areas with water from a garden hose.

Prior to storage, all surfaces of this product should be sprayed down with water and allowed to dry completely.

## Limited Warranty

Poly-Tex Inc. warrants its products to be free from defects in material and workmanship for a period of (1) year from date of invoice. This warranty is provided to the original purchaser of the product and is not transferable. Poly-Tex does not warrant parts not manufactured by Poly-Tex, but does assign any transferable manufacturer or supplier warranties. Should any defect be found, full repair or replacement will be rendered to the customer at no cost following inspection by a Poly-Tex representative and the return of the defective product to our Castle Rock, MN factory. Expenses for removal or reinstallation of defective products will not be covered by the warranty.

**POLY-TEX SHALL NOT BE HELD RESPONSIBLE FOR ANY SPECIAL OR CONSEQUENTIAL DAMAGES, OR FOR ANY DELAY IN PERFORMANCE OF THIS WARRANTY BEYOND OUR CONTROL. THIS WARRANTY IS EXCLUSIVE AND IN LIEU OF ALL OTHER WARRANTIES WHETHER IMPLIED, WRITTEN OR ORAL INCLUDING THE WARRANTIES OF MERCHANTABILITY AND FITNESS FOR A PARTICULAR PURPOSE.**

This warranty does not cover damage from customer abuse, misuse, improper installation, customer modifications, customer negligence in performing normal maintenance, damage resulting from acts of nature.

Contact information:  
Poly-Tex, Inc. PO Box 458  
27725 Danville Ave Castle Rock, MN 55010  
Toll free (800) 852-3443 Fax (651) 463-2479  
[www.poly-tex.com](http://www.poly-tex.com)