

ANGLED BENCH DISPLAY

PX7009



Assembly Instructions



Important!

Please read these instructions carefully before beginning to assemble this display. Save these instructions for future reference.

Revision: AA-140304

Assembly Instructions

1.0 Product Number Cross-Reference

ANGLED BENCH DISPLAY				
DESCRIPTION	GALVANIZED	RED	BLACK	GREEN
BENCH FRAME ANGLED BENCH	PX1010	PR1010	PK1010	PG1010
SNAPPER PIN.250"x2.25"	NB1996			
NYLON WASHER FOAB	NB1923			
5/16" x 1" THUMB SCREW	NB1924			
PX7009 6' BENCH				
X-STABILIZER 6'	PX1100	PR1100	PK1100	PG1100
BENCH TOP W/EXP 28-1/2"W x 6'	FK1001	PR1174	PK1174	PG1174
6'-1-1/2" BASKET PURLIN -95	GM4000			
PX7009 4' BENCH				
X-STABILIZER 4'	PX1101	PR1101	PK1101	PG1101
BENCH TOP W/EXP 28-1/2"W x 4' LG	FK1018	PR1144	PK1144	PG1144
49 1/2" BASKET PURLIN	FB2535			

OPTIONAL PARTS				
OPTIONAL CASTERS				
5" CASTER/EXP 1-1/4" W/BRAKE	FB2513			
OPTIONAL SIGN SUPPORT				
SIGN POST EXTENSION	FB3072	PR1160	PK1160	PG1160
CARRIAGE BOLT 1/4"x 1-3/4" G5	NB1818			
LOCK WASHER 1/4" ZP	NB1860			
WING NUT 1/4" ZP	NB1902			
6' SIGN				
SIGN HOLDER 7" x 72" W/ BEND	FB3074	PR1176	PK1176	PG1176
4' SIGN				
SIGN HOLDER 7" x 48"	FB3075	PR1146	PK1146	PG1146

- Part number references are included in the instructions for the galvanized components. Refer to the second letter change in the part number for cross reference to the appropriate powder-coated color.


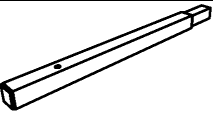
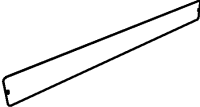
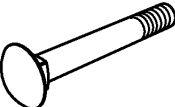


Assembly Instructions

2.0 Parts List

2.1 Base Unit

IMAGE	TAG #	QTY	ITEM #	DESCRIPTION
	1	2	PX1010	BENCH FRAME ANGLED BENCH
	2	2	PX1100	X-STABILIZER 6'
	3	1	NB1996	SNAPPER PIN.250"x2.25"
	4	1	GM4000	6' -1 1/2" BASKET PURLIN -95
	5	2	NB1923	NYLON WASHER FOAB
	6	2	NB1924	5/16" x 1" THUMB SCREW
	7	2	FK1001	BENCH TOP W/EXP 28 1/2" W x 6' LG

2.2 Optional Components

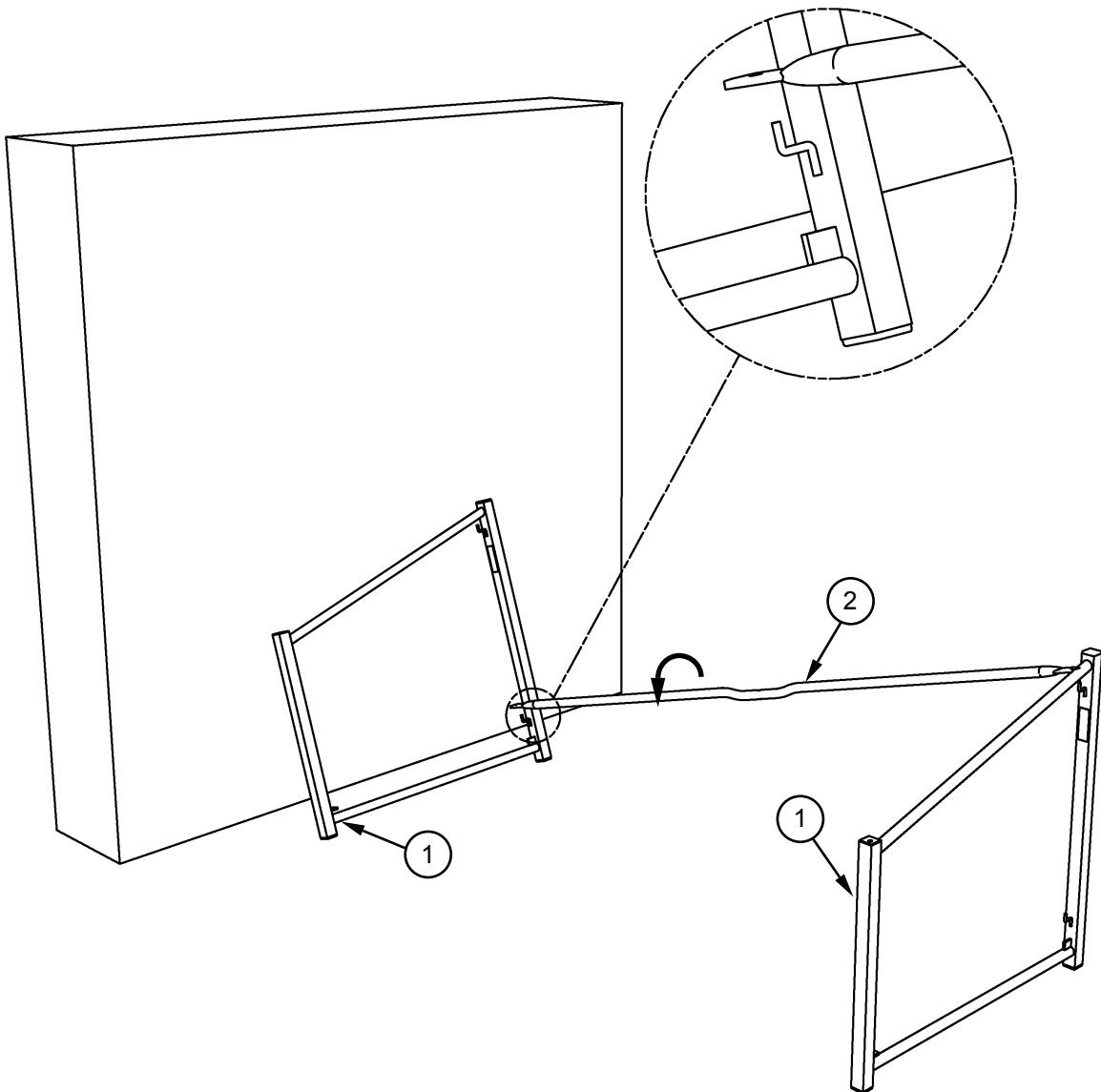
IMAGE	TAG #	QTY	ITEM #	DESCRIPTION
	8	4	FB2513	5" CASTER/EXP 1-1/4" W/BRAKE
	9	2	FB3072	SIGN POST EXTENSION
	10	1	FB3074	SIGN HOLDER 7" x 72" W/BEND
	11	2	NB1818	CARRIAGE BOLT 1/4"x 1-3/4" G5
	12	2	NB1860	LOCK WASHER 1/4 ZP
	13	2	NB1902	1/4" WING NUT

Questions? Please call Poly-Tex, Inc. • PO Box 458, 27725 Danville Ave, Castle Rock, MN 55010 • (800) 852-3443 • (651)463-7009 • Fax (651) 463-7279 • www.poly-tex.com

Assembly Instructions

3.0 Base Unit

3.1 Frame

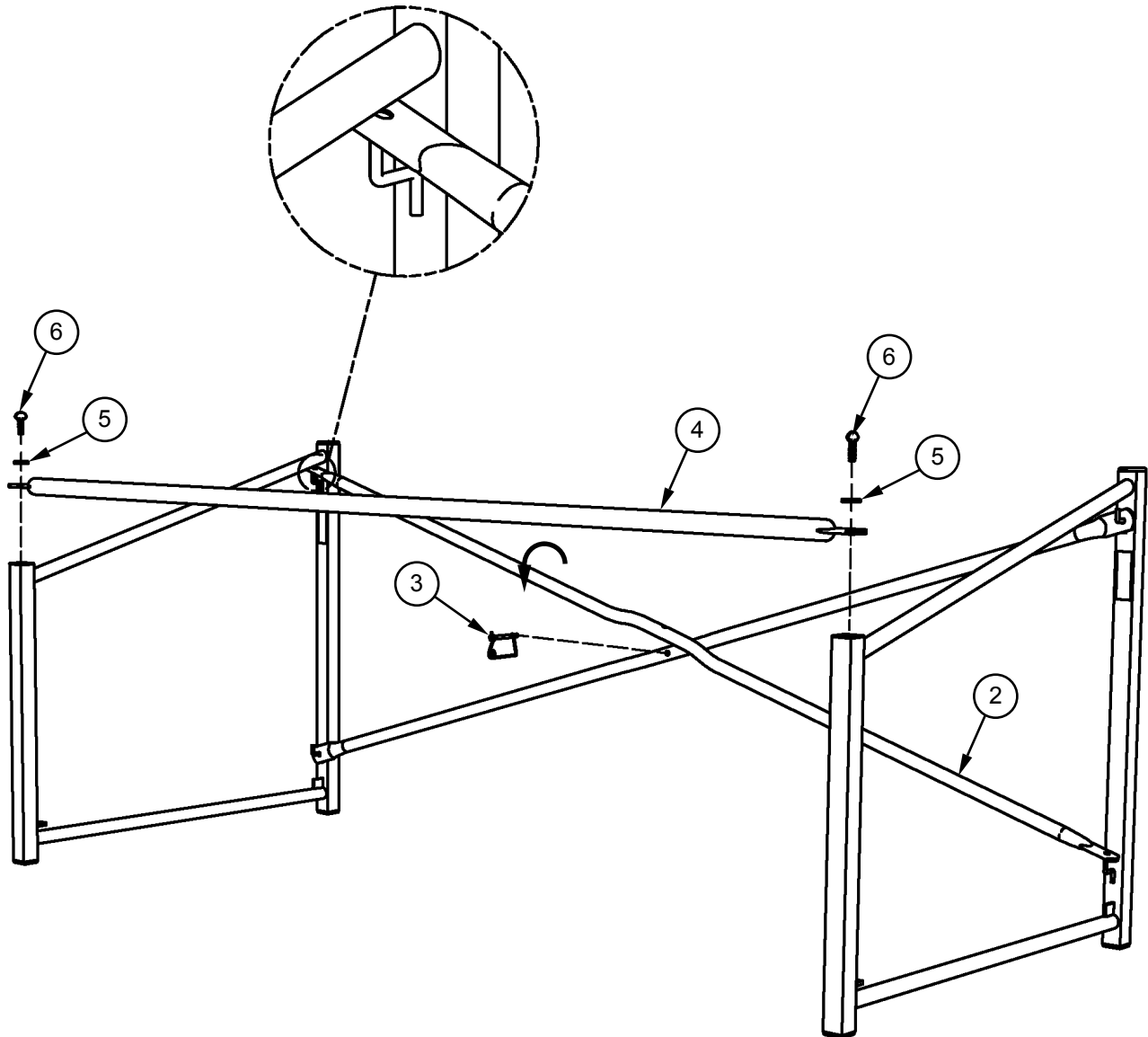


TAG #	QTY	ITEM #	DESCRIPTION
1	2	PX1010	BENCH FRAME ANGLED BENCH
2	1	PX1100	X-STABILIZER 6'

- If Casters are provided with this assembly, install them at this time according to step 4.1.
- Locate a wall or object and lean one End Frame PX1010 against during initial assembly. Lay the two Stabilizers, PX1100 on the floor near the back of the assembly location.
- Position the other End Frame at approximately the proper spacing and hold one Stabilizer above the two frame pins with the bend hanging down, as shown.
- Engage the Stabilizer on the lower pin first, then position the other, and rotate 90° until the Stabilizer is tight against the frame post.

Assembly Instructions

3.2 Stabilizer

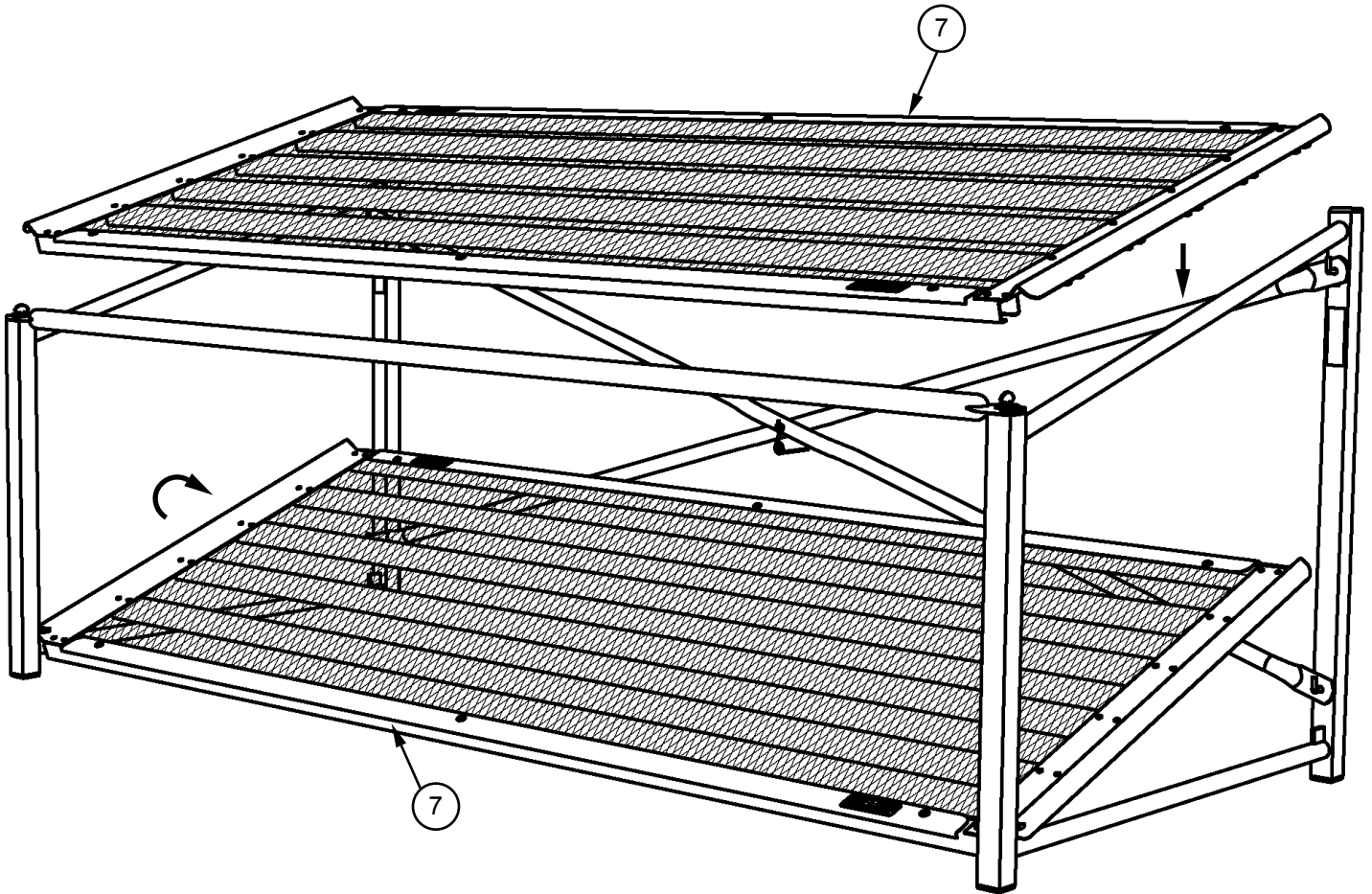


TAG #	QTY	ITEM #	DESCRIPTION
2	1	PX1100	X-STABILIZER 6'
3	1	NB1996	SNAPPER PIN.250"x2.25"
4	1	GM4000	6' 1-1/2" BASKET PURLIN -95
5	2	NB1923	NYLON WASHER FOAB
6	2	NB1924	5/16" x 1" THUMB SCREW

- Relocate the feet of the End Frame near the wall until both End Frames are plumb and hold this frame through the next step.
- Position the Stabilizer with the bend upward, first on the remaining lower pin, and then the final pin.
- Rotate the Stabilizer on the pins until it is against the back post. The bends in the Stabilizers should nest in an off-setting position so that the Stabilizers are nearly in the same plane.
- Install the Snapper Pin NB1996 through the holes in the center of the Stabilizers and snap closed.
- Align the Bench Frames parallel with each other and square with the Stabilizer group.
- Attach Basket Purlin to Bench Frames with Nylon Washers and Thumb Screws as shown.

Assembly Instructions

3.3 Bench Tops



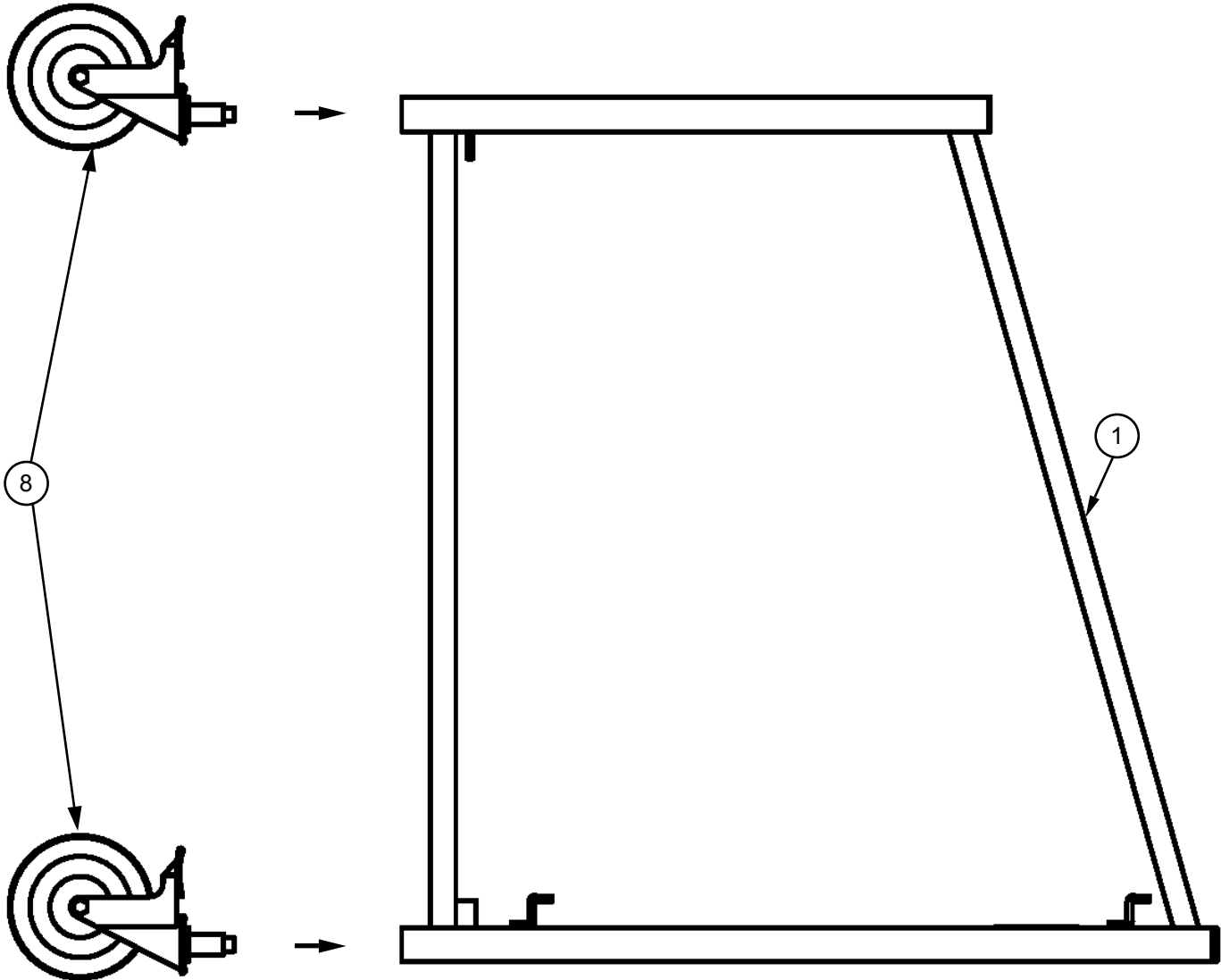
TAG #	QTY	ITEM #	DESCRIPTION
7	2	FK1001	BENCH TOP W/EXP 28 1/2" W x 6' LG

- Position the lower Bench Top FK1010 with the bench ends over the bench supports of the End Frames.
- Engage the front of the Bench Top under the front tabs and lower the bench in place.
- Repeat the above instructions for each of the other Bench Tops. Frames will not have the tabs at every level.

Assembly Instructions

4.0 Mobility Casters

4.1 Casters

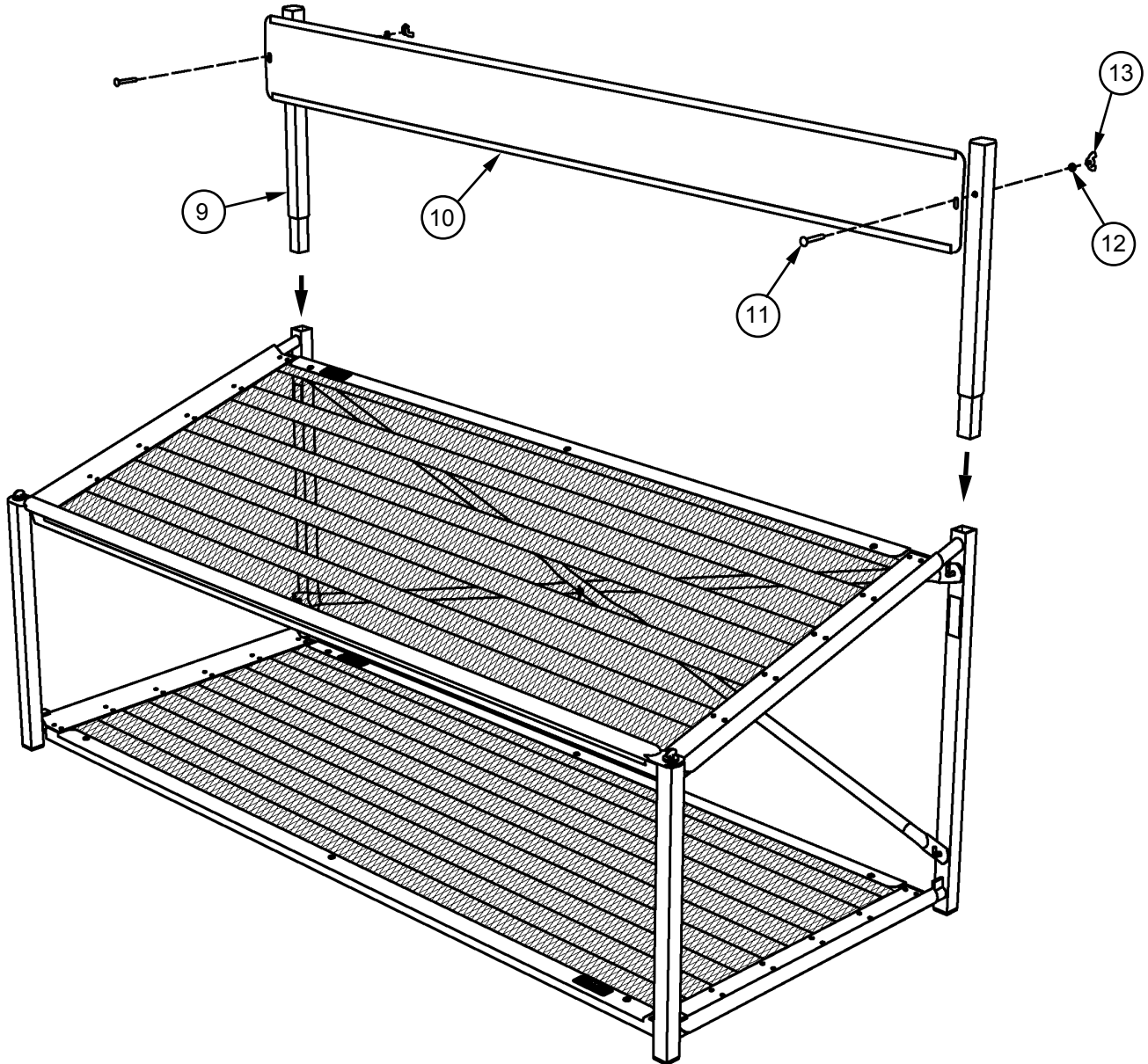


TAG #	QTY	ITEM #	DESCRIPTION
8	4	FB2513	5" CASTER/EXP 1-1/4" W/BRAKE

- Prior to assembly of Display, turn the Base Assembly on the back and remove the two Square Plugs, RS5001 from the bottoms of the posts.
- Insert a Caster stem fully into each post and rotate the collar of each caster until it fits firmly in place.
- Return the Base Assembly upright and lock the casters to maintain position.

Assembly Instructions

5.2 Sign Holder



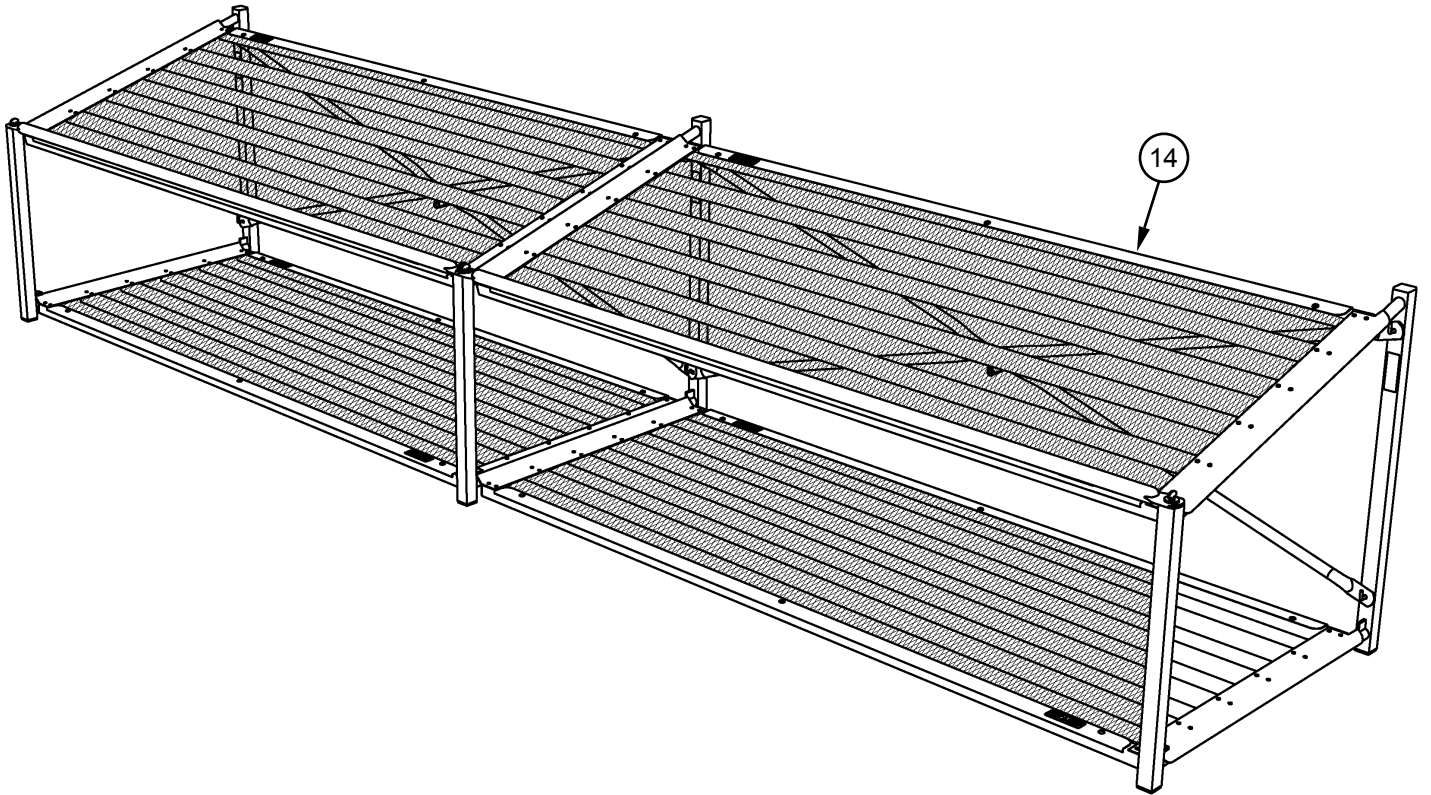
TAG #	QTY	ITEM #	DESCRIPTION
9	2	FB3072	SIGN POST EXTENSION
10	1	FB3074	SIGN HOLDER 7" x 72" W/BEND
11	2	NB1818	CARRIAGE BOLT 1/4"x 1-3/4" G5
12	2	NB1860	LOCK WASHER 1/4 ZP
13	2	NB1902	1/4" WING NUT

- Insert a Sign Post FB3072 in each back post with the holes facing forward.
- Attach Sign Holder with two bolts, washers, and nuts.
- Continuous runs of benches use a common Sign Post between Sign Holders.
- Signs may be installed back-to-back using the same set of hardware.

Assembly Instructions

6.0 Connecting Run

6.1 Connection Extension



TAG #	QTY	ITEM #	DESCRIPTION
14	1	PX7009-XT6	ANGLED BENCH DISPLAY –6' EXTENSION

- Assemble the Extension in the same manner and sequence as the original base and accessories.
- NOTE: Extended runs of this product are not intended to be used on Casters.

Assembly Instructions

SAFETY GUIDELINES

Do not climb, sit on or use this product as a ladder. Injuries may occur.

Do not place or install electrical items on this product. Wet conditions are typical and electrical shock may occur.

Do not place this product on a slope that exceeds 3 degrees.

Do not move this display after product is in place. Damage to the display and injuries may occur.

CARE & MAINTENANCE

To remove loose soil and debris, simply spray the soiled areas with water from a garden hose.

Prior to storage, all surfaces of this product should be sprayed down with water and allowed to dry completely.

Limited Warranty

Poly-Tex Inc. warrants its products to be free from defects in material and workmanship for a period of (1) year from date of invoice. This warranty is provided to the original purchaser of the product and is not transferable. Poly-Tex does not warrant parts not manufactured by Poly-Tex, but does assign any transferable manufacturer or supplier warranties. Should any defect be found, full repair or replacement will be rendered to the customer at no cost following inspection by a Poly-Tex representative and the return of the defective product to our Castle Rock, MN factory. Expenses for removal or reinstallation of defective products will not be covered by the warranty.

POLY-TEX SHALL NOT BE HELD RESPONSIBLE FOR ANY SPECIAL OR CONSEQUENTIAL DAMAGES, OR FOR ANY DELAY IN PERFORMANCE OF THIS WARRANTY BEYOND OUR CONTROL. THIS WARRANTY IS EXCLUSIVE AND IN LIEU OF ALL OTHER WARRANTIES WHETHER IMPLIED, WRITTEN OR ORAL INCLUDING THE WARRANTIES OF MERCHANTABILITY AND FITNESS FOR A PARTICULAR PURPOSE.

This warranty does not cover damage from customer abuse, misuse, improper installation, customer modifications, customer negligence in performing normal maintenance, damage resulting from acts of nature.

Contact information:
Poly-Tex, Inc. PO Box 458
27725 Danville Ave Castle Rock, MN 55010
Toll free (800) 852-3443 Fax (651) 463-2479
www.poly-tex.com