

# GARDEN MART<sup>®</sup>

## Assembly Instructions



### **IMPORTANT**

Please read these instructions carefully before you start to assemble this greenhouse. Save these instructions for future reference.



**WARNING:** Cancer and Reproductive Harm - [www.P65Warnings.ca.gov](http://www.P65Warnings.ca.gov)

**REV: AD 231117**

  
**POLY-TEX**  
Greenhouse & Display Systems

## Read before assembling the structure

### Warning

This structure is intended to be self-supporting once constructed with all frames, hardware, sheathing, sheeting, bracing, cables, and membrane in place and secured to the foundation as shown in the manual. Stability during construction, from winds and loads imposed during erection, is the sole responsibility of the installer. Observe safety codes required by your jurisdiction, and relevant safety practices for working at heights. Avoid the risk of electrical shock from overhead lines or electrical storms. Poly-Tex recommends contracting a licensed electrician to perform electrical work. Eye protection is recommended under all circumstances and hearing protection is recommended when cutting components with power tools.

**Danger:** No part of this structure is engineered to function as an anchorage point for a fall arrest system. Use a safety net or work from a safe work platform (i.e. scaffolding).

### Overview of assembly procedure

While each structure and site is unique, and may require special considerations, these instructions are for a tilt-up method (where frames are assembled on the ground and tilted onto ground stakes or anchor rods using ropes or lifts). If you do not feel confident installing the structure, Poly-Tex suggests you hire a general contractor, carpenter, or similar licensed business familiar with construction to assemble, install and erect your structure.

### Foundations

These instructions include minimum guidance for foundations based on the International Building Code. These minimums are suitable for some areas of the country but not all. Obtain a building permit if required in your jurisdiction. Engineered Certified foundation plans may be required by a building official before issuing a permit. Even if not required, seeking guidance from a qualified structural or civil engineer for the foundation design will prove worthwhile over the life of your structure. A flawed foundation may only become obvious after your structure has been damaged. Replacing a deficient foundation is expensive and inconvenient.

**Warning:** Do not walk on polycarbonate sheets. Always use scaffolding to avoid damage to sheeting and to ensure safety. Polycarbonate sheeting has UV coating protected with vinyl film on the exterior surface. Install sheets with the film intact and toward the exterior. Remove film once the sheet has been fastened in place.

**Danger:** Select a calm day for work. Wind can be sufficient enough to knock you off a work platform or ladder, resulting in a potentially deadly fall.

**\*Wiggle Wire is a Registered Trade Mark of Poly-Tex, Inc**

## CONGRATULATIONS!

You have just purchased the most advanced, portable greenhouse for the Retail Marketing of spring bedding plants. Early in this introduction, we would like to stress the following points.

If the Garden Mart is to be set up on a paved parking lot, there is no need to punch holes in the black-top. The Garden Mart will be held secure by several thousand pounds of water or concrete blocks. However, if the unit is to be set up in a field or grassy area, you may use ground posts. All of these methods are discussed in the context of this set up manual.

We have tried to make the Garden Mart as easy to assembly as possible. We have color-coded and attached fittings where possible. The new snap button design speeds up assembly and requires no tools, except wire cutter and a pliers in some instances.

We know you will enjoy this greenhouse for a long time to come

Before you proceed, please read the instruction manual very carefully. If you have any questions please call us at:

1-800-852-3443

or

1-651-463-7009

P.O. Box 458 - 27725 Danville Ave

Castle Rock, MN 55010

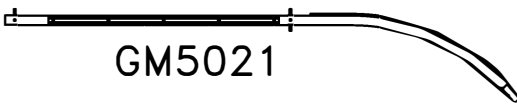
Visit our Web Site at:

[www.poly-tex.com](http://www.poly-tex.com)


## GARDEN MART®

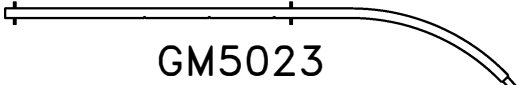
### Index

	Page Numbers
Part Identification.....	1
Part Identification Continue.....	2
Door Locations.....	3
Site Preparation and Ground Stake Installation.....	4
Door Hoop Assembly.....	5
Intermediate Hoops.....	6
End Hoop Assembly.....	7
Stand Up Hoops.....	8
Slide-Side Panel Installation.....	9
Purlins and Corner Braces.....	10
"V" Bracket Assembly.....	11
Concrete Block Installation.....	12
Water Tube Installation.....	13
Basket Hoops and Rolling Door Installation.....	14
Side Door Assembly.....	15
Attaching End Frame Poly.....	16
Attaching Roof Poly.....	17
Door End & Rear Wall Basket Purlins.....	18
Knock Down Procedure.....	19

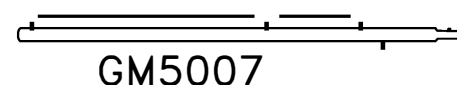
CORNER HOOP (LEFT)  GM5021

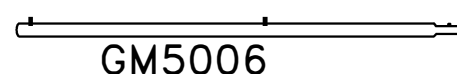
CORNER HOOP (RIGHT)  GM5022

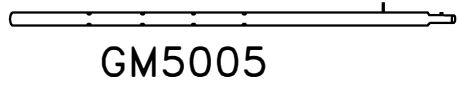
TOP END HOOP (PLAIN)  
(WITH WIGGLE BASE)  GM5013

INTERMEDIATE HOOP  GM5023

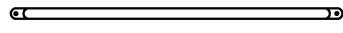
INTERMEDIATE  
TOP HOOP SECTION  
(PLAIN)  GM5004

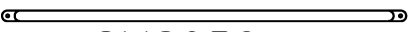
9'3" DOOR JAMB  GM5007

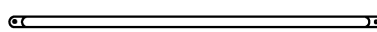
9'3" END WALL PIPE  
CODE: BLUE  GM5006

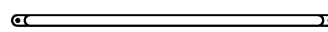
POWER POLE - (GM2)  GM5005

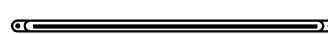
6'-1 1/2" BASKET PURLIN  GM4000

78 1/2" END PURLIN  GM5014

108 13/16" END STRUT  
CODE: ORANGE  GM2950

94 1/8" SIDE STRUT  
CODE: BLACK  GM2940


7'8" END HORIZONTAL  
CODE: RED  GM2530

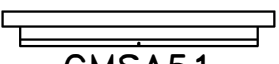
7'8" END HORIZONTAL  
(WITH WIGGLE BASE)  
CODE: YELLOW  GMD224

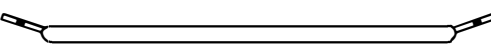
6'2" ROLL FORM RAIL  
CODE: GREEN  GM2520

6'2" DOOR HEADER  GM2803

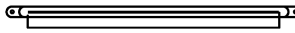
6'2" HORIZONTAL  
(WITH WIGGLE BASE)  
CODE: BLUE  SM4012

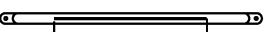
S.A. DIVIDER  GMSA50

S.A. END CAP  GMSA51

SLIDE BAR  GMSA52

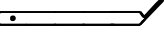
6'2" BOTTOM RAIL  SA4013

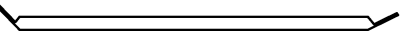
TOP RAIL  
(WITH WIGGLE BASE)  SA4018

5'10 1/2" SIDE DOOR HEADER  SM4035

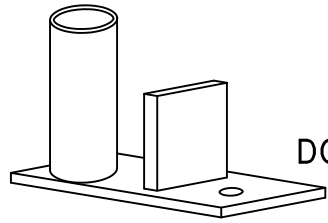
SIDE DOOR JAMB-LEFT  GM2460

SIDE DOOR JAMB-RIGHT  GM2450

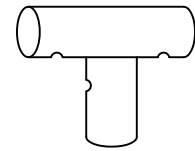
DOOR AND END WALL EXTENSION  GM5008

5'8" CORNER BRACE  GM2560

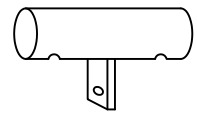
-- CONTINUED --



GM5011  
DOOR GUIDE



GM5009  
INTERMEDIATE PEAK  
CONNECTOR



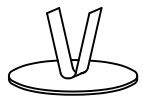
GM5010  
END PEAK  
CONNECTOR



GM5015  
POWER POLE EXTENSION

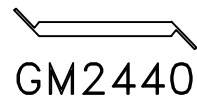


"A" FITTING  
FT2001



GM2970  
HOOP PAD

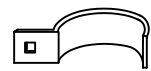
13" SIDE DOOR EXTENDER



GM2440



FT2047  
12" BASKET  
PURLIN HOOK



SHORT SPEED HOOK

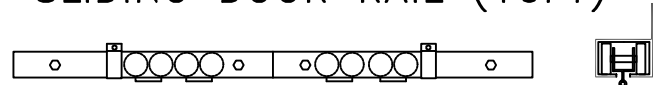
FT2061



S.D. HEADER FITTING

FT2090

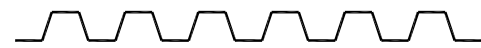
SLIDING DOOR RAIL (10FT)



GM2801

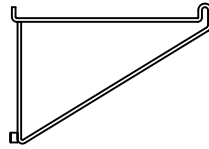


FT2053  
42" BASKET  
PURLIN HOOK



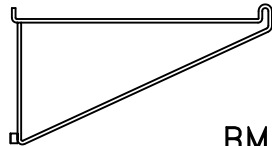
WIGGLE WIRE 6'-6"

18" V BRACKET



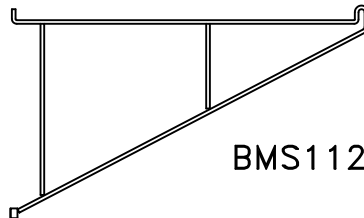
BMS1120

23" V BRACKET



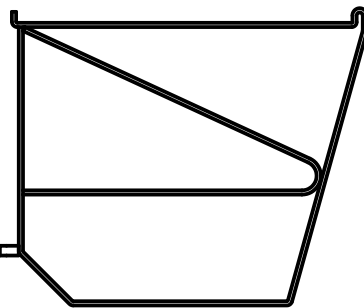
BMS1122

36" V BRACKET



BMS1121

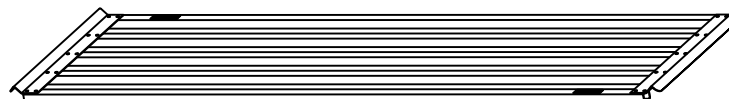
GM BENCH FRAME



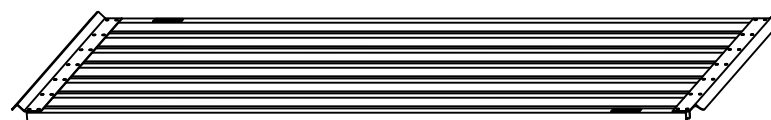
GM5020



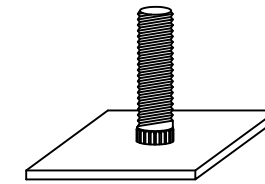
RF2554 18" x 6' BENCH TOP



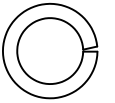
RF2555 24" x 6' BENCH TOP



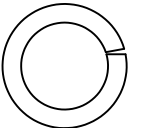
RF2552 36" x 6' BENCH TOP



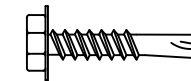
STOP TAB



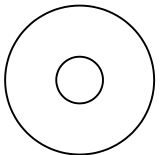
1/4" LOCK WASHER



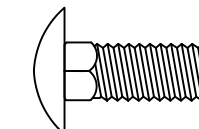
5/16" LOCK WASHER



#12 x 3/4" SELF DRILLING SCREW



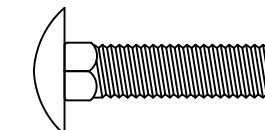
NYLON WASHER



1/4" x 3/4" CARRIAGE BOLT



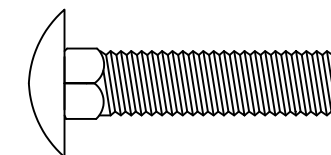
1/4" WING NUT



1/4" x 1" CARRIAGE BOLT



5/16" WING NUT

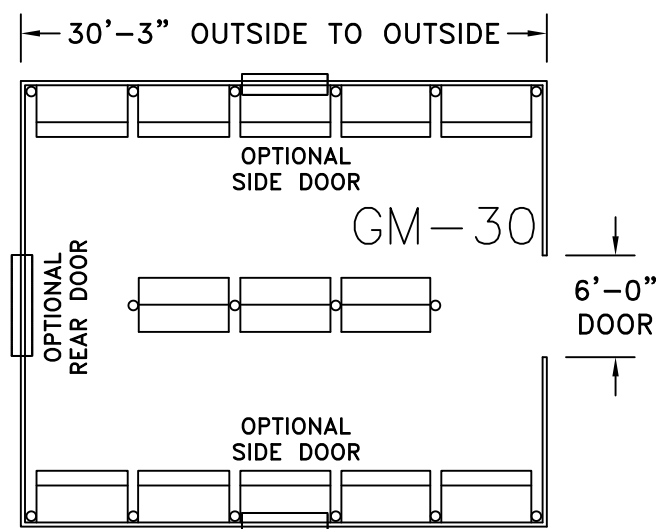
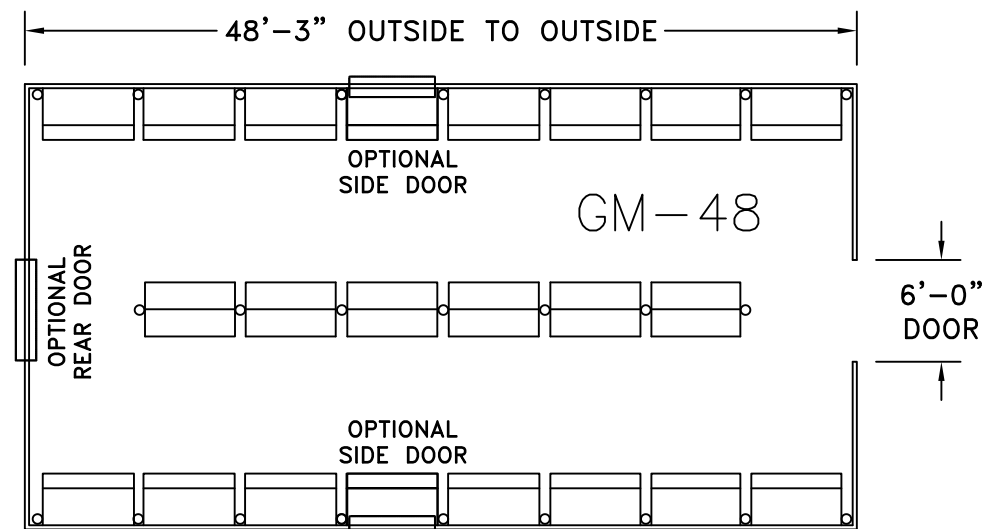
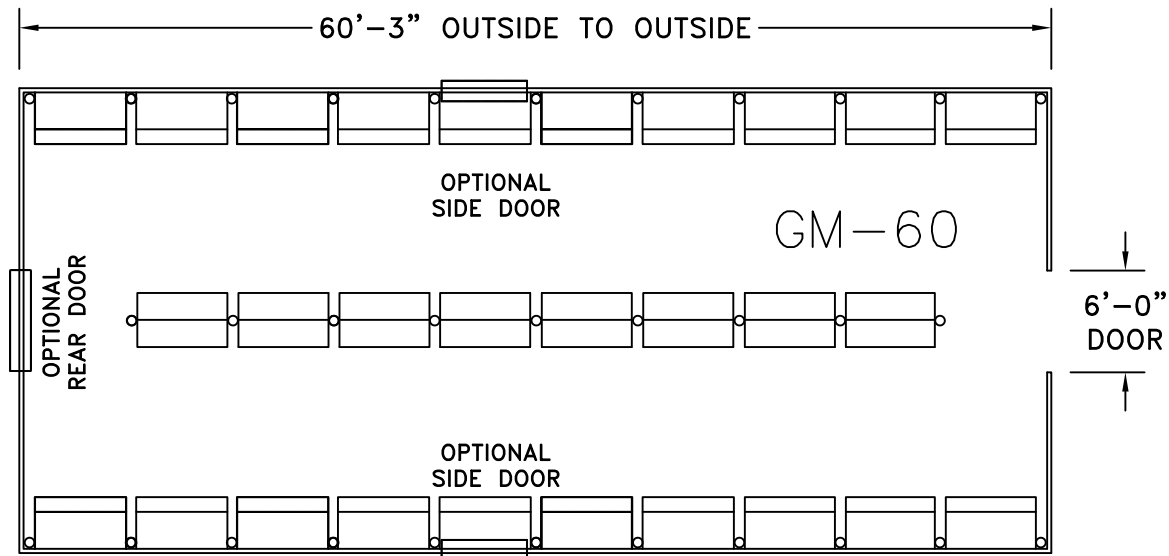
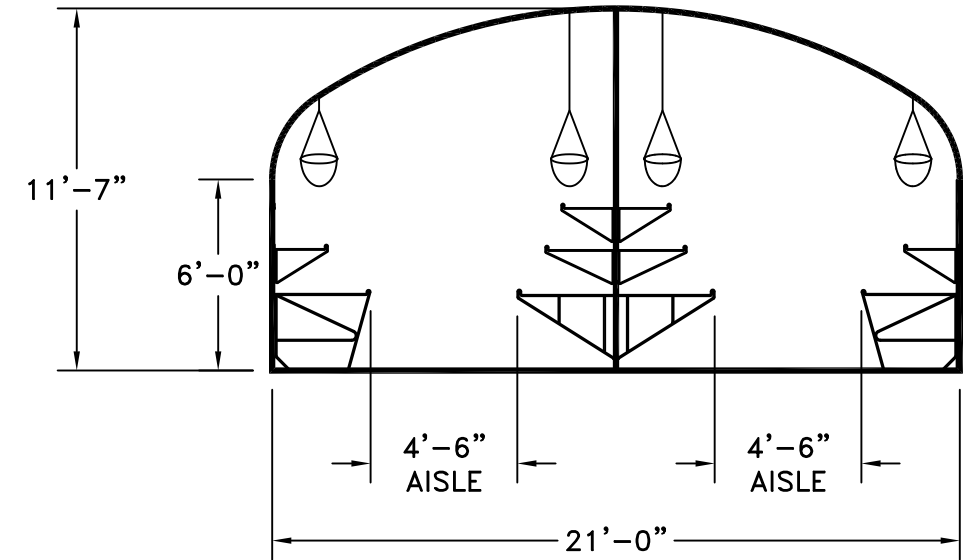
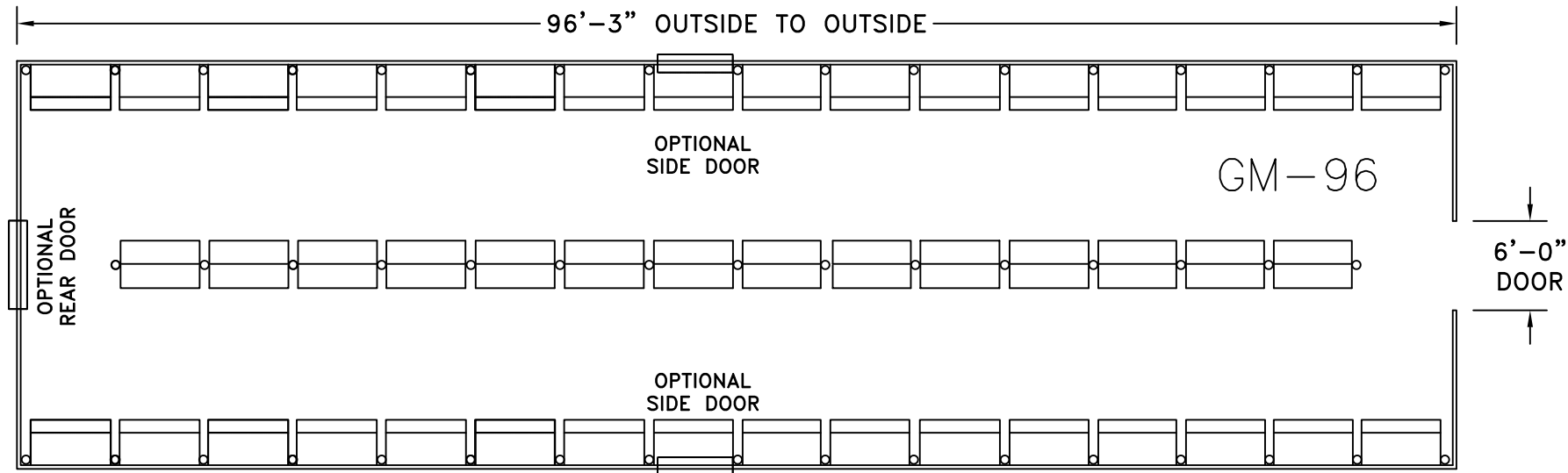


3/8" x 1 1/4" CARRIAGE BOLT



3/8" WING NUT

# DOOR LOCATION



GARDEN MART Size 21' x	30'	48'	60'	96'
Total greenhouse area	630	1008	1260	2016
*1020 flat display capacity	276+	492+	636+	1068+
10" basket display @ 16" space	90	144	180	288
Total lineal feet hanging basket purlin	120	192	240	384
Number of 3'-0" x 6'-0" benches	16	28	36	60
Number of 2'-0" x 6'-0" benches	6	12	16	28
Number of 1'-6" x 6'-0" benches	16	28	36	60
OPTIONAL PURLINS				
Front wall basket capacity	-32			
Rear wall basket capacity	-48			

\*NOTE: FLAT DISPLAY CAPACITY CAN BE INCREASED WITH OPTIONAL LOWER BENCHES

One of the fastest ways to square up the structures location is the cross measurement method. Measure diagonally. These measurements should be the same. Once this is complete, check all four sides of the layout to see that they are the correct measurements. See Diagram A.

Before raising hoops onto the ground stakes, you must remove self drilling screws from the corner hoops. This will enable the hoop to slide the entire length of the ground stake. After raising hoops you will replace these pieces for the end wall poly. See Diagram B.

**(OPTIONAL)**

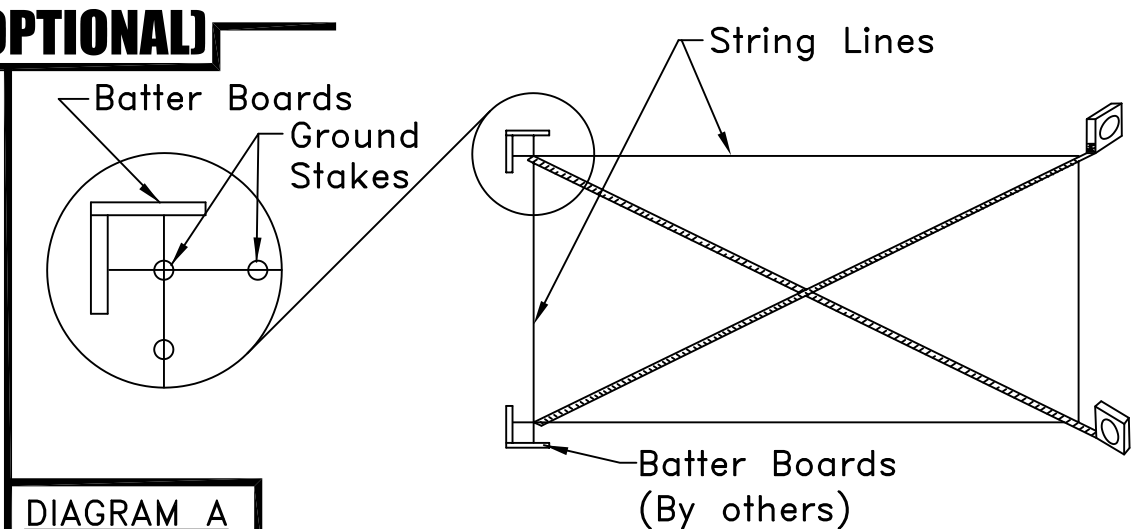
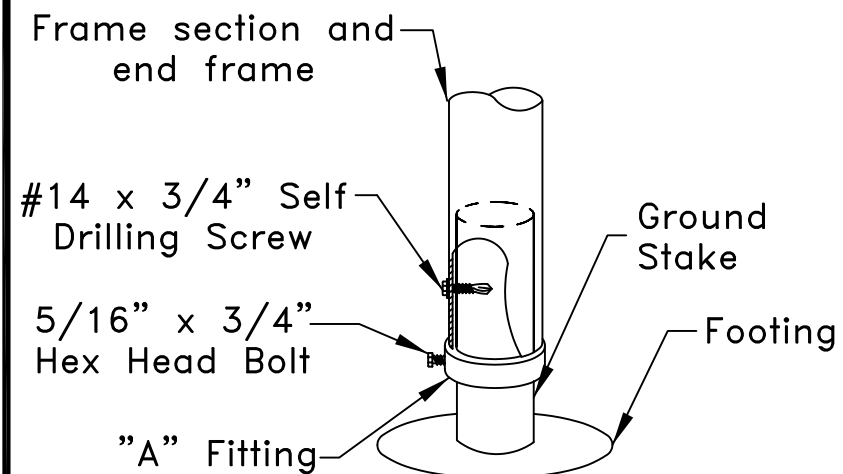
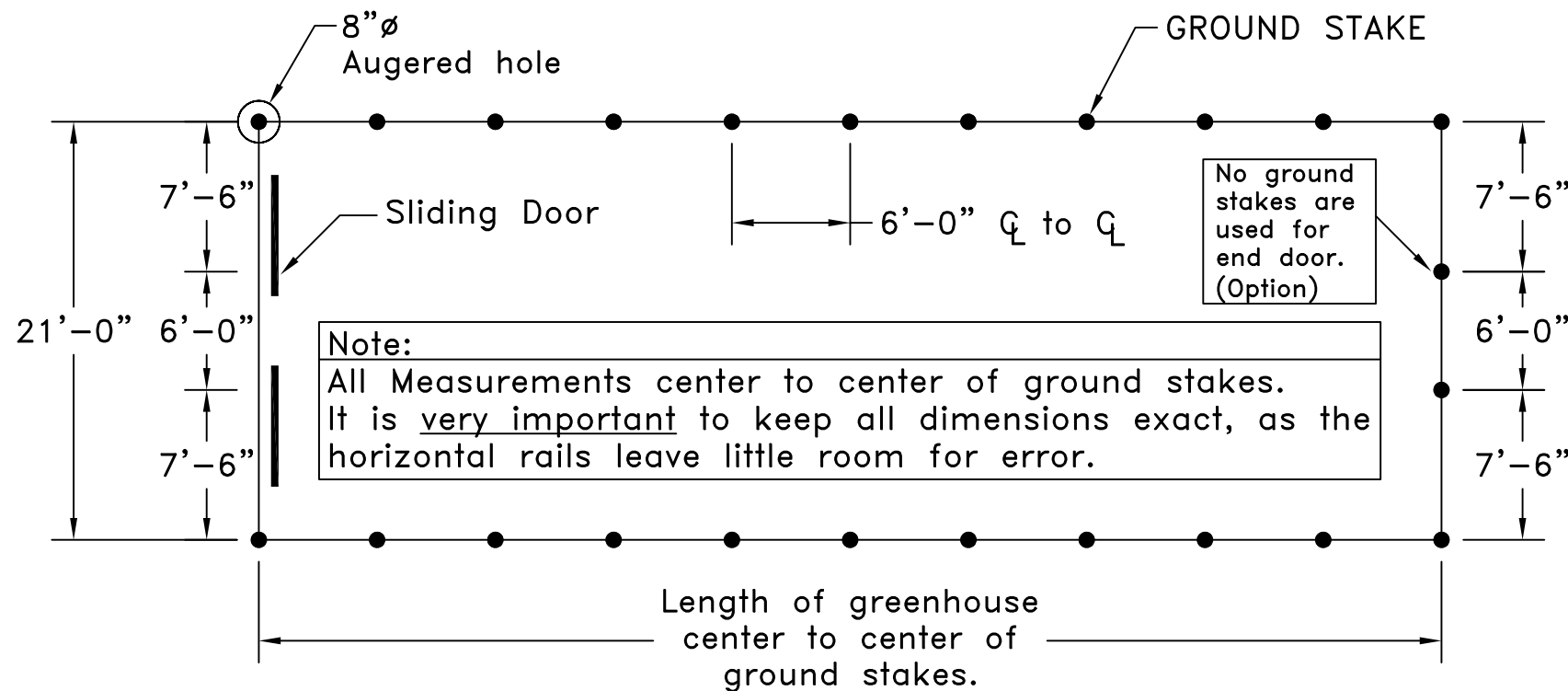
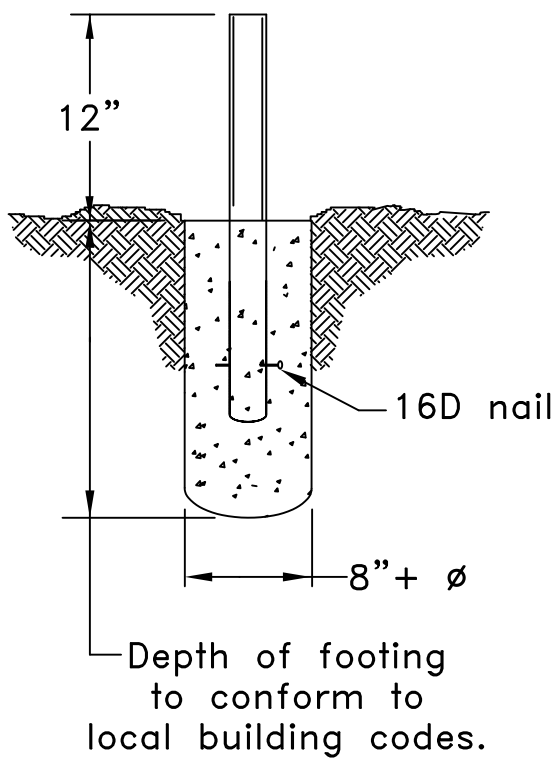


DIAGRAM A

DIAGRAM B



Important: Do not bypass this procedure.

After the green house frame is completely assembled, install one #14 x 3/4" self drilling screw through the wall of ALL frames (including end frames) and into the groundstake wall for a secure lock.

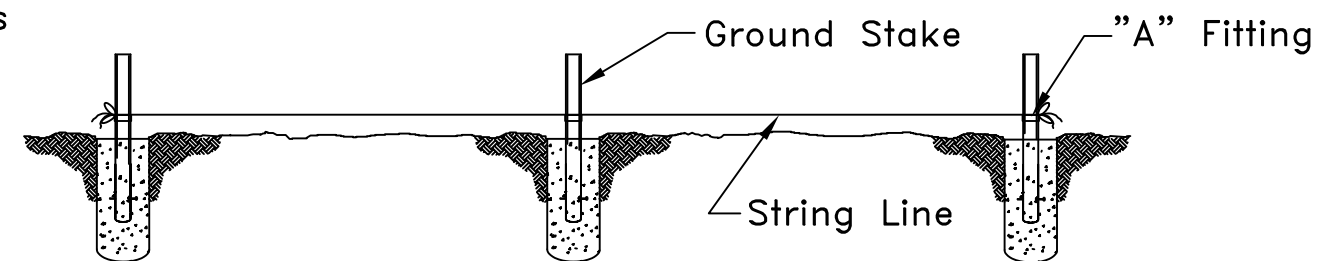
The first fittings you will use when erecting your greenhouse are the "A" fittings. This fitting slides over the ground stakes and will determine the height of your frames. All the fittings should be set level.

To determine fitting height, tie a string line to the first and last ground stakes.

Fittings may now be set. Install fittings so the heads of the bolts face the inside of the greenhouse.

Note: It is important that you set the fittings as low as possible.

Note: Set your foundations on level ground.



① Layout parts on a flat surface for assembly.  
 Note: All studs require nylon washers and 3/8" wing nuts.

② Begin with the (4) hoop sections:  
 -GM5021  
 -GM5022  
 -GM5013 (QTY. 2)

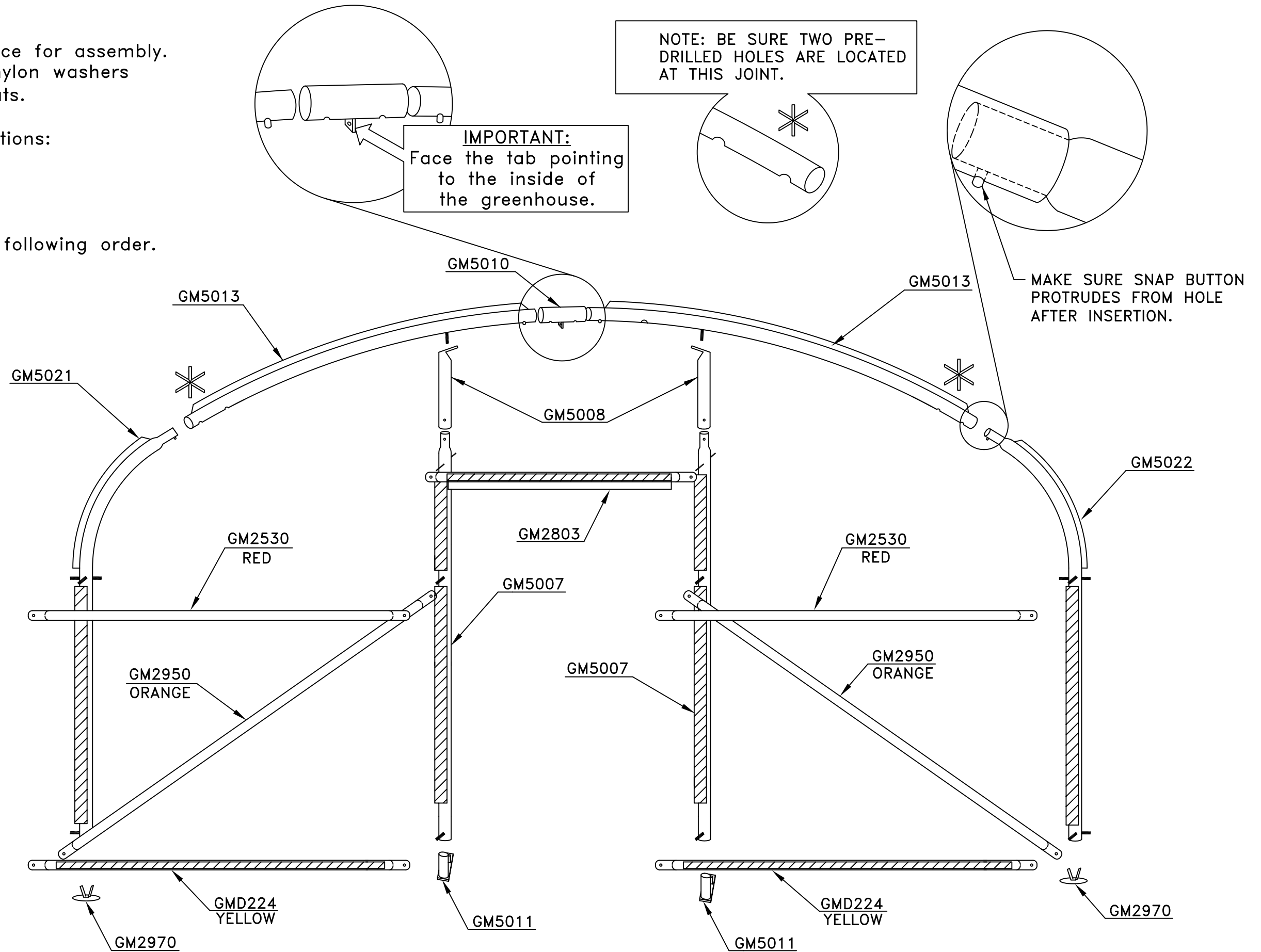
③ Then assemble parts in the following order.  
 GM5010  
 (2) GM5013  
 GM5021  
 GM5022  
 (2) GM5008  
 (2) GM5007  
 (2) GM2950  
 (2) GMD224  
 (2) GM2530  
 GM2803  
 (2) GM2970  
 (2) GM5011

④ Be sure all wing nuts have been tightened before raising completed hoop.

⑤ When all your hoops are standing. Go back and tighten all bolts securely.

**IMPORTANT NOTE:**

BE SURE ALL WIGGLE BASE FACES UPWARD DURING ASSEMBLY. (SHADED AREAS)



① Layout parts on a flat surface for assembly.

② Begin with the (4) hoop sections:

-GM5023 (QTY. 2)

-GM5004 (QTY. 2)

③ Then assemble parts in the following order.

GM5009

(2) GM5004

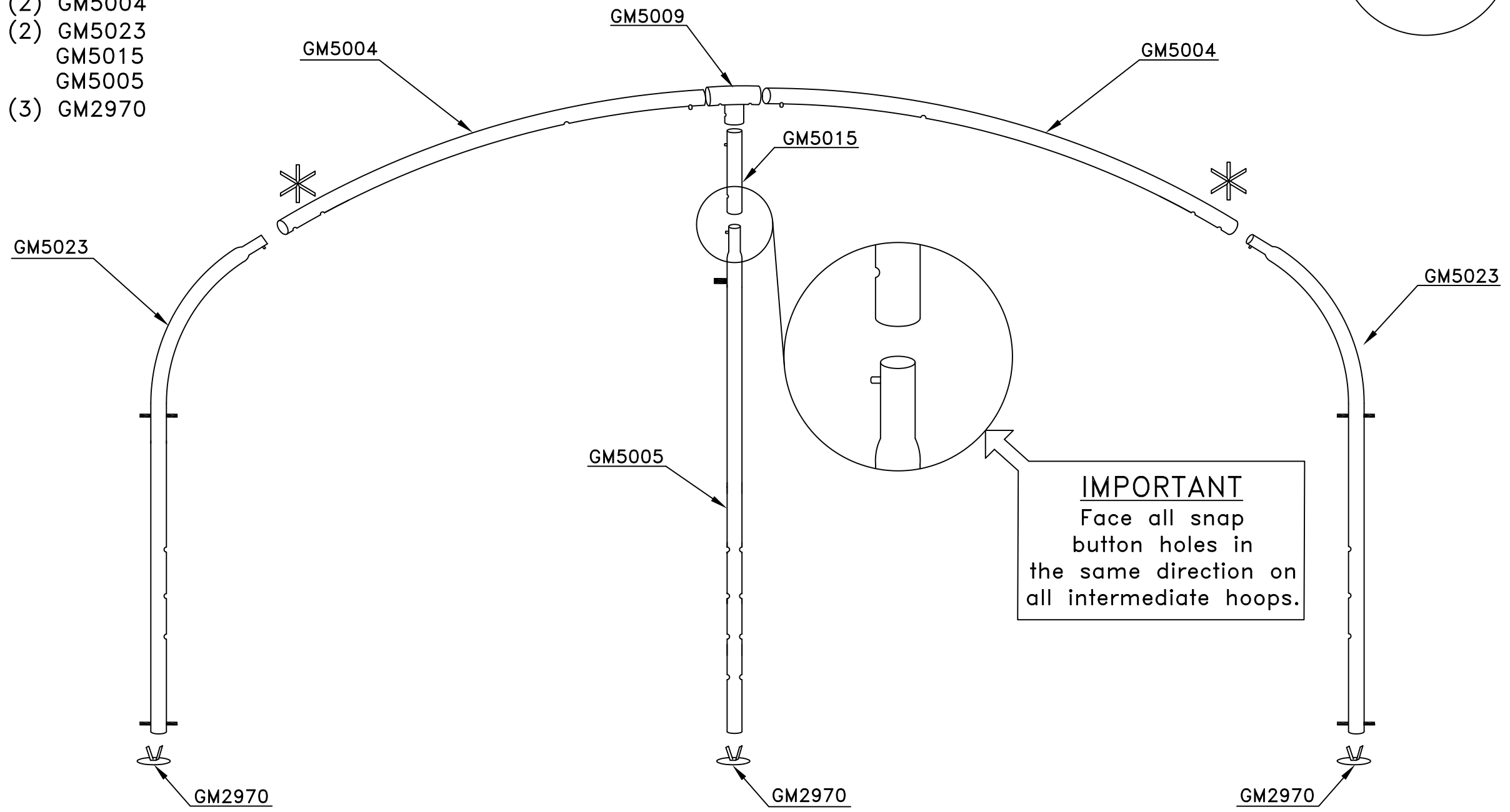
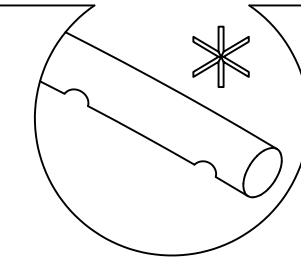
(2) GM5023

GM5015

GM5005

(3) GM2970

NOTE: BE SURE TWO PRE-  
DRILLED HOLES ARE LOCATED  
AT THIS JOINT.



**IMPORTANT**  
Face all snap  
button holes in  
the same direction on  
all intermediate hoops.

## NOTE BEFORE YOU BEGIN:

If you have a door on both ends of your Garden Mart 2003, use the instructions on page five. Otherwise, continue on this page.

① Layout parts on a flat surface for assembly.

Note: All studs require nylon washers and 3/8" wing nuts.

② Then assemble parts in the following order:

- GM5010
- (2) GM5013
- GM5021
- GM5022
- (2) GM5008
- (2) GM5006
- (2) GM2950
- (2) GMD224 UPPER
- (2) SM4012
- (2) GMD224 LOWER
- (4) GM2970

③ Be sure all wing nuts and bolts have been tightened before raising completed hoop.

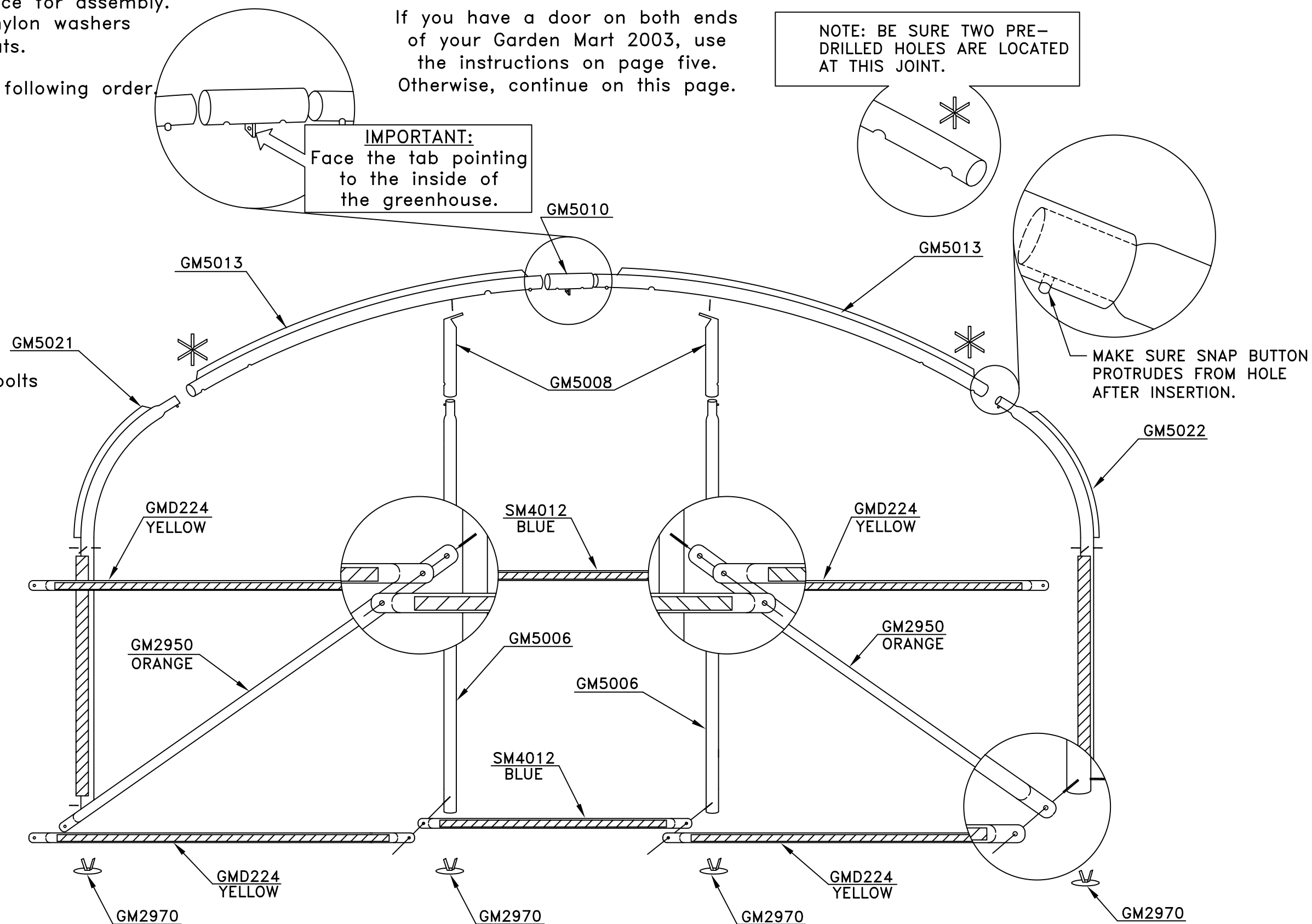
④ When all your hoops are standing. Go back and tighten all bolts securely.

NOTE: BE SURE TWO PRE-DRILLED HOLES ARE LOCATED AT THIS JOINT.

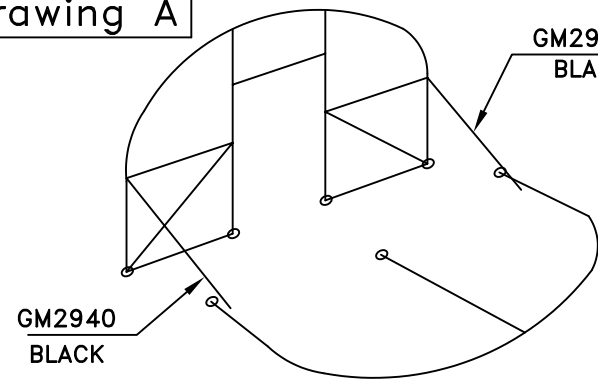
**IMPORTANT:**  
Face the tab pointing to the inside of the greenhouse.

MAKE SURE SNAP BUTTON PROTRUDES FROM HOLE AFTER INSERTION.

**IMPORTANT NOTE:**  
  
BE SURE ALL WIGGLE BASE FACES UPWARD DURING ASSEMBLY. (SHADED AREAS)

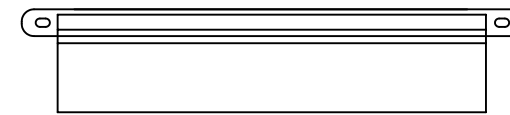


Drawing A

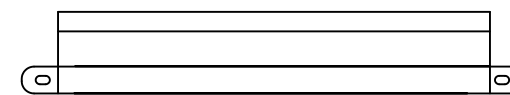


**DANGER!** DO NOT PROCEED WITH ASSEMBLY IF STRUT IS NOT INSTALLED! STRUCTURE WILL COLLAPSE IF MISSING!

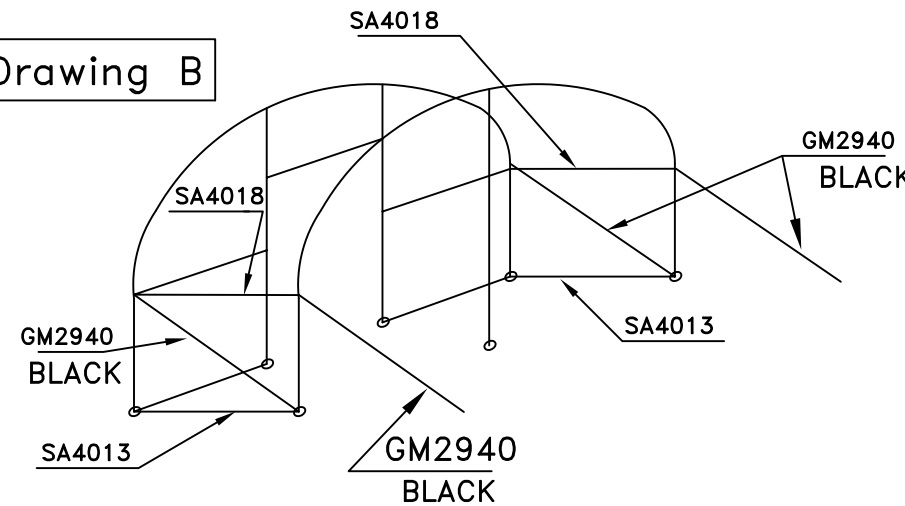
S.A. TOP RAIL



S.A. BOTTOM RAIL



Drawing B



**DANGER!** THIS STRUT MUST REMAIN INTACT UNTIL HOOP IS DISASSEMBLED! STRUCTURE MAY COLLAPSE IF REMOVED!

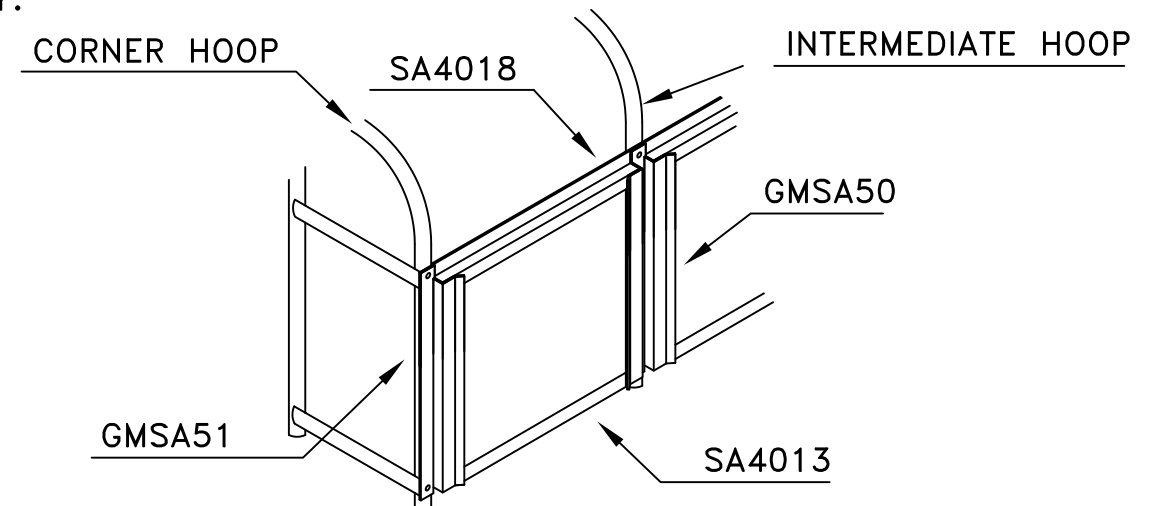
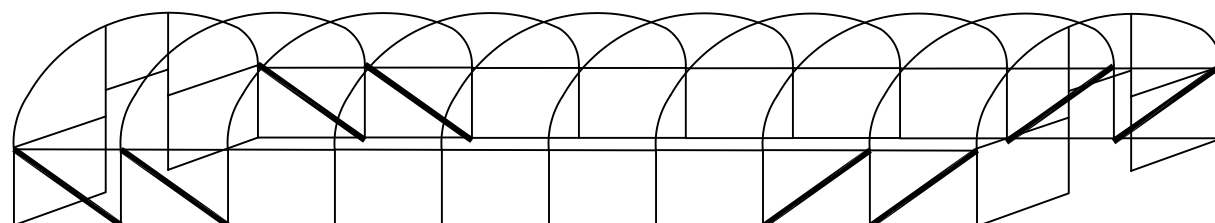
Raise front hoop into upright position. Then, install two GM2940 on the inside studs to hold upright. (Drawing A)

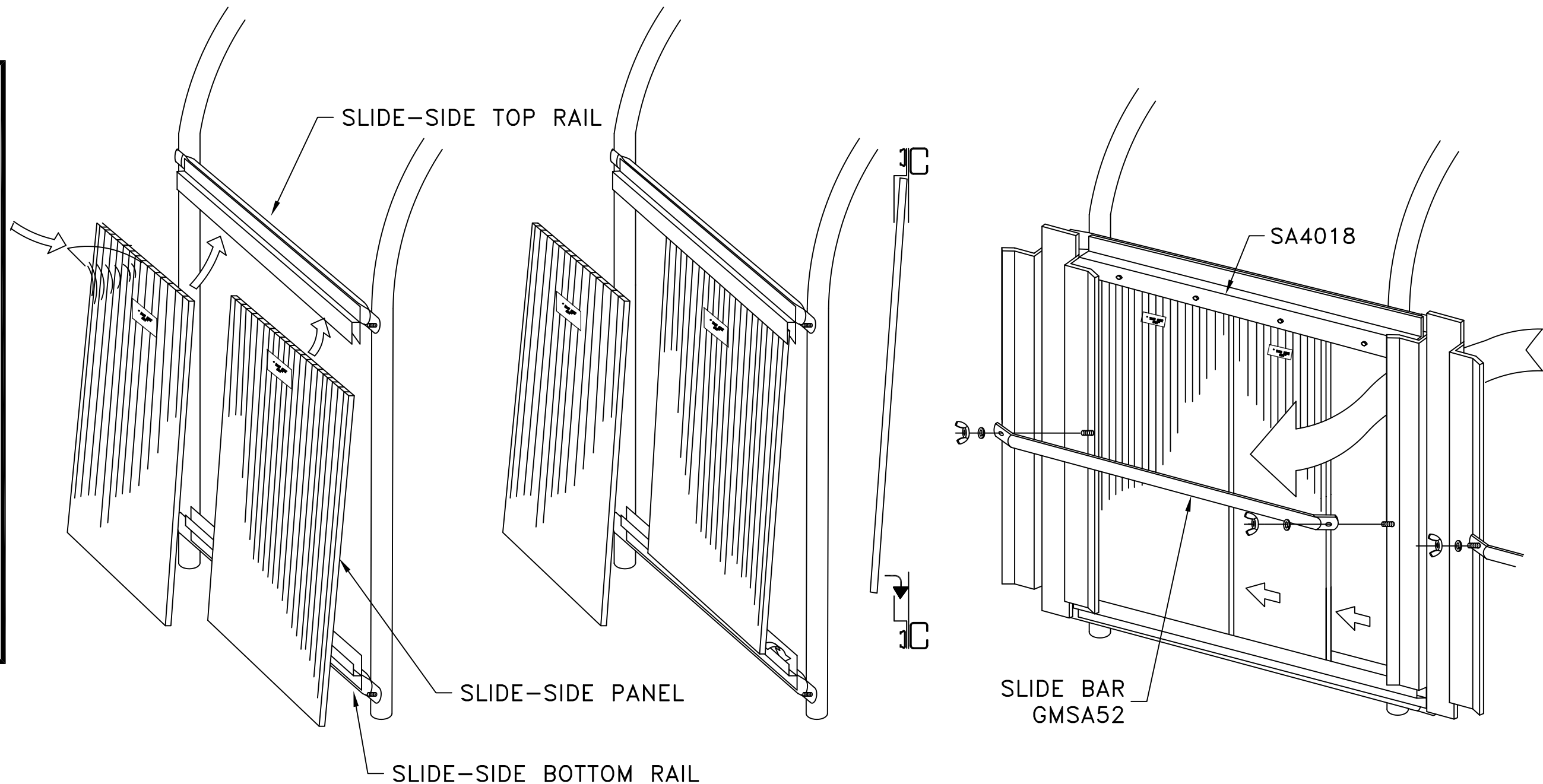
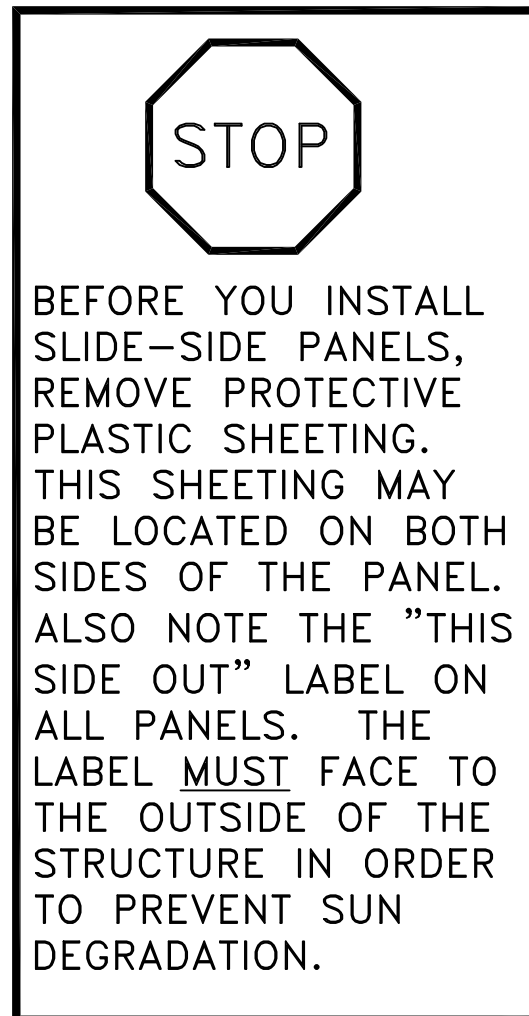
Stand up intermediate hoop (2nd hoop) and attach part SA4018 (on the outside) to connect the two hoops. Install part SA4013 to bottom studs and finger tighten wing nuts with nylon washers to intermediate hoop. Attach part GM2940(BLACK). (Drawing B)

Once the two hoops are standing you will easily be able to continue standing intermediate hoops by attaching the part SA4013 before the next hoop is stood up. Repeat the same steps for the rest of the hoops.

Before tightening down the rails, remove the wing nuts, and attach a GMSA50 on the outside of each rail intersection. (Drawing C) These are used as stops for your Slide sides. Also, you need to attach a GMSA51 to each corner.

You need to install two GM2940 per corner on 30' or longer.





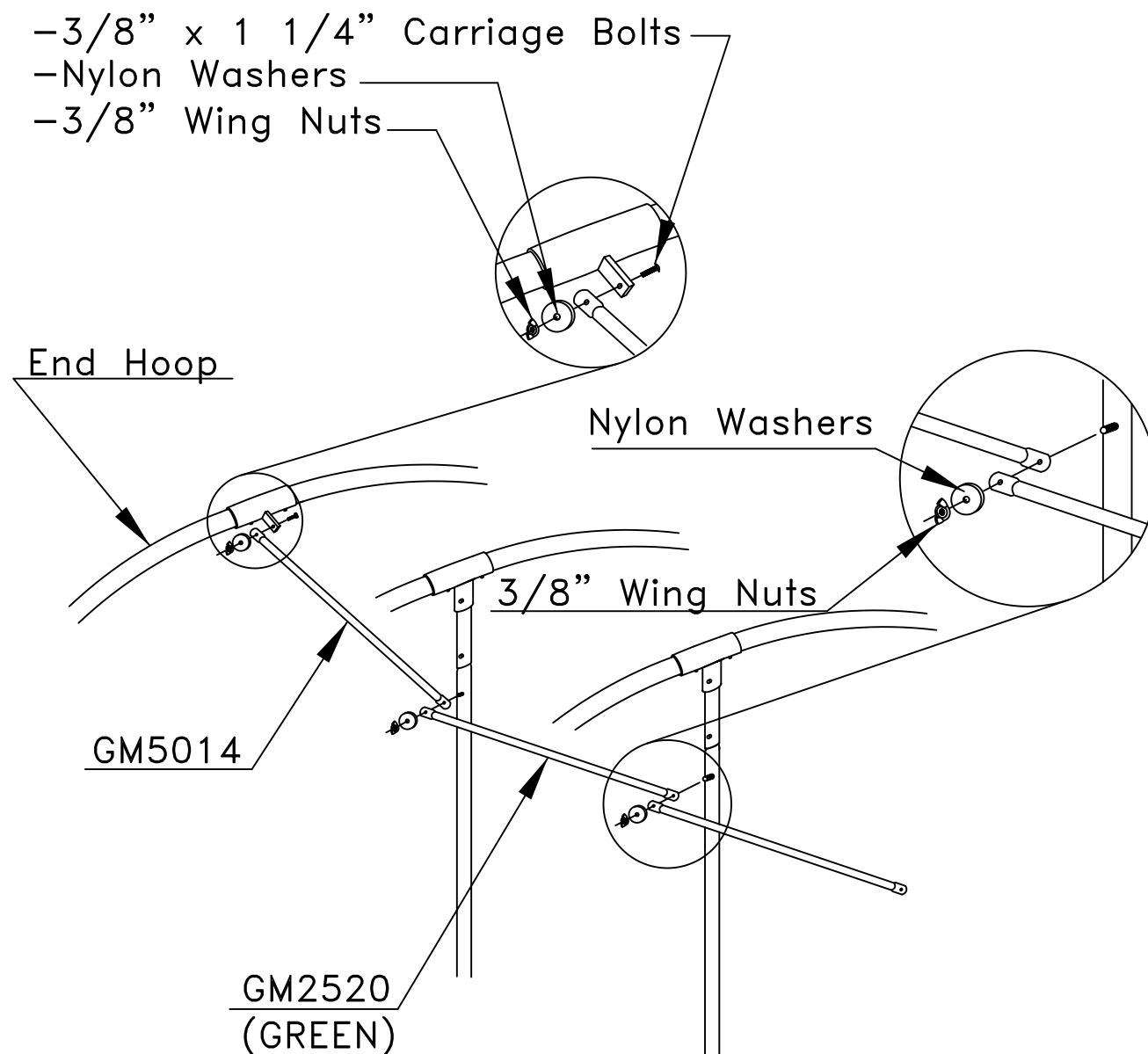
Install two SLIDE-SIDE panels per opening. Insert the top edge of the panel into the channel on the upper rail, and push up. While maintaining upward pressure set the bottom edge into the channel on the bottom rail. To allow natural ventilation, simply slide one panel over the other or remove the panels completely. After putting Slide-Side panels in place, install "Slide Bars" using (2) 1/4" x 3/4" carriage bolts, lock washer, and wing nut.

For 90 MPH Kit option install 4 self drilling screws 4 1/2" from end of SA4018, then 20" on center. Screws shall be installed 1/4" above top of slide-side panel to prevent panel from lifting out.

Install 78 1/2" End Purlins (Part #GM5014) and  
6'-2" Side Horizontals (Part #GM2520)(GREEN)

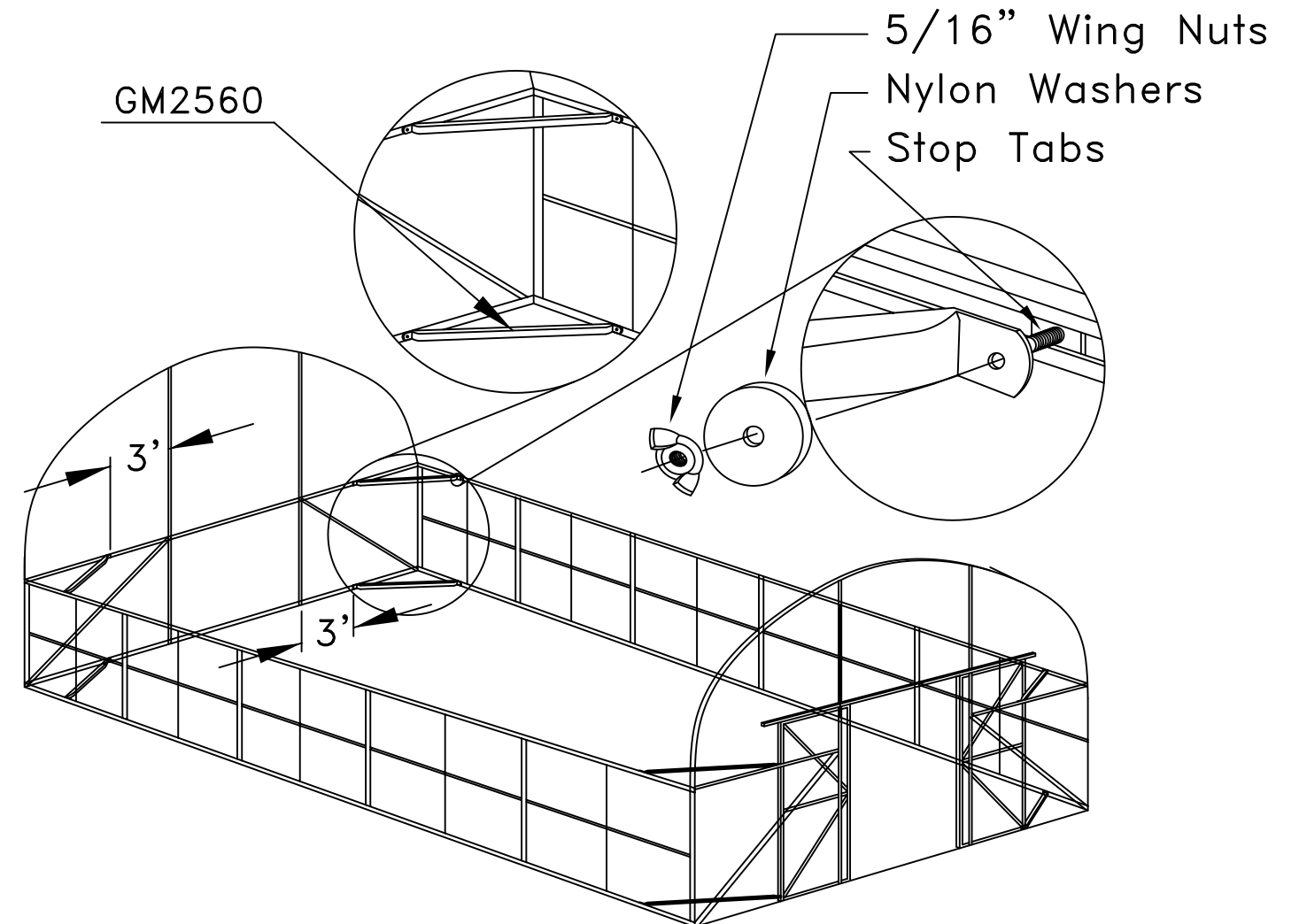
- ① (2) 78 1/2" End Purlins (Part #GM5014) need to be installed at each end of your greenhouse.
- ② 6'-2" Roll Form Rails (Part #GM2520)(GREEN) need to be installed to connect all of the intermediate hoop sections.
- ③ Use the following parts to assemble:

-3/8" x 1 1/4" Carriage Bolts  
-Nylon Washers  
-3/8" Wing Nuts



Install (8) corner braces (Part # GM2560)

- ① Corner braces will be installed on the upper and lower rails as shown.
- ② Be aware of the 3' dimension from the corner brace to the vertical post. Both ends.
- ③ Use Stop Tabs, Nylon Washers and 5/16" Wing Nuts to assemble the braces.



Side bench supports come pre-assembled. You simply remove from the carton and insert into the pre-drilled holes.

Next, install your V-BRACKETS onto your power poles. Start assembly at the bottom inserting V-BRACKETS into the pre-drilled holes.

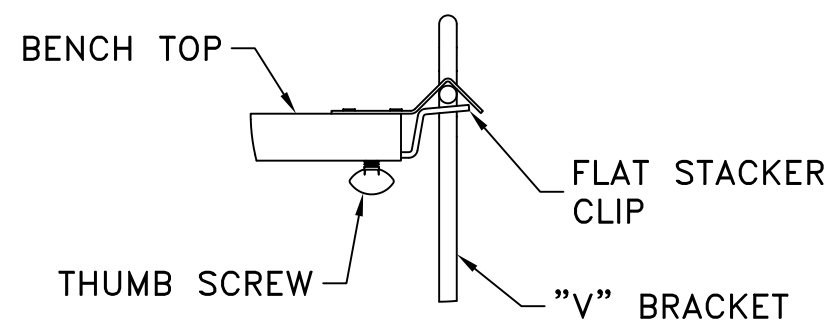
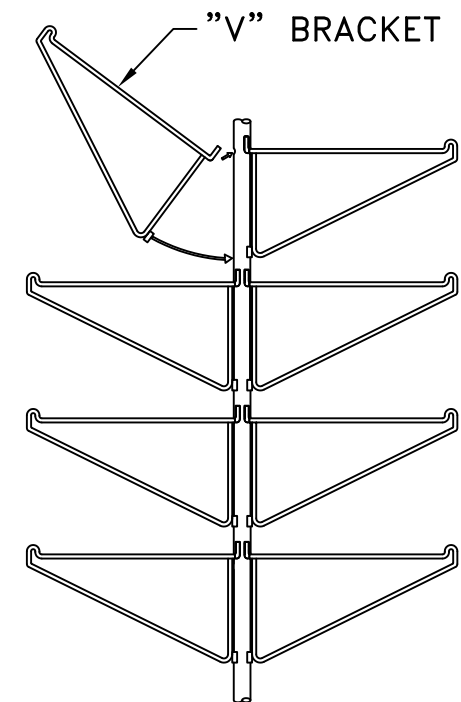
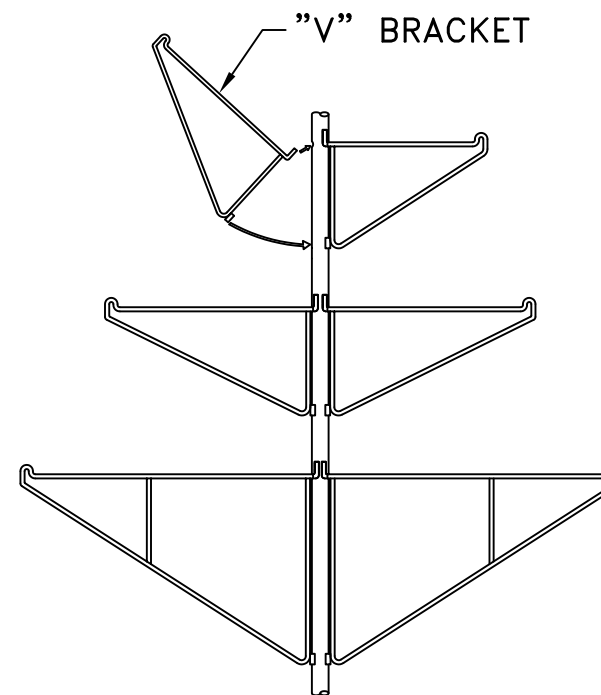
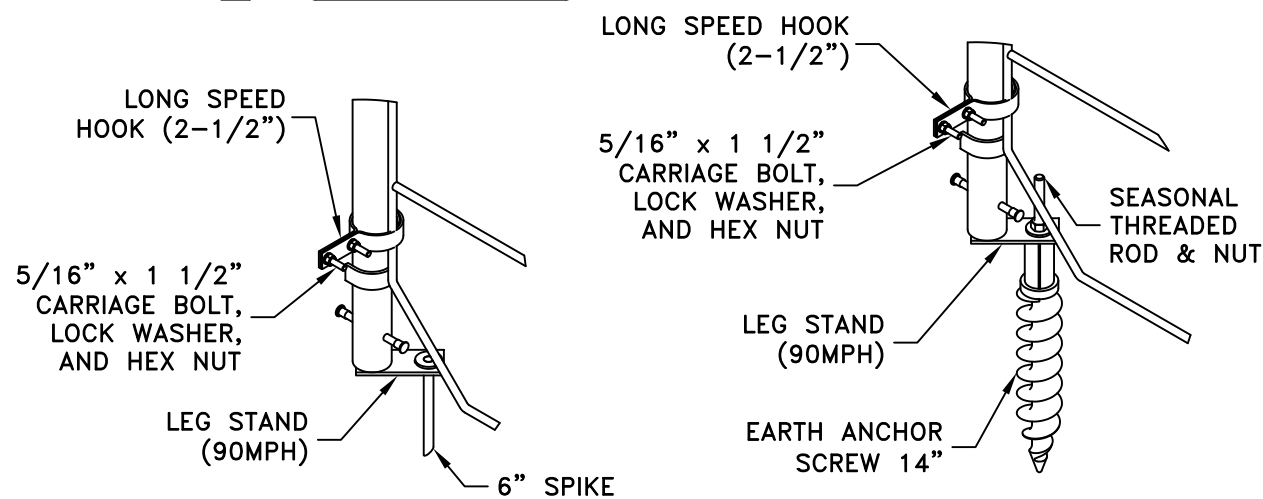
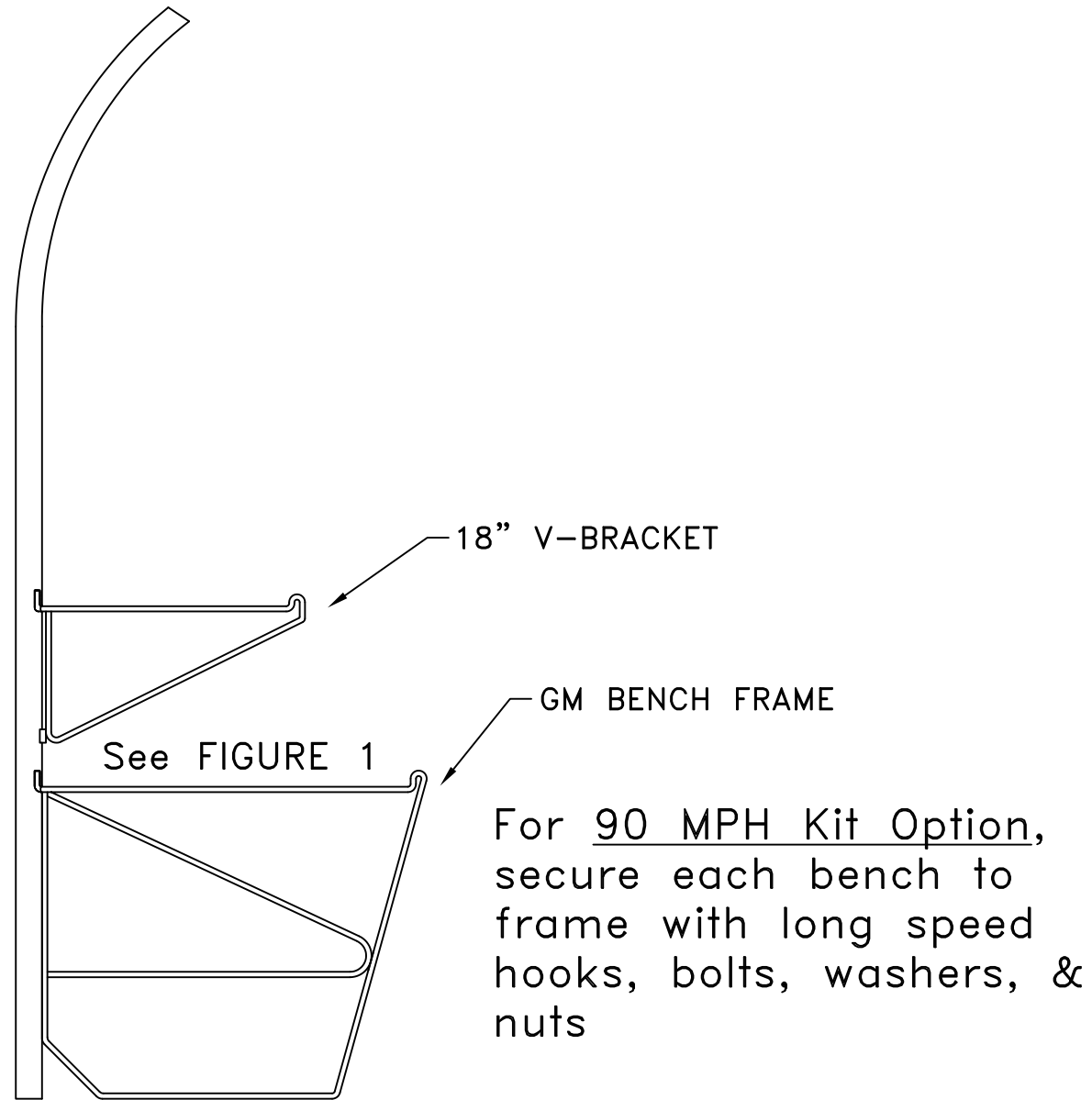
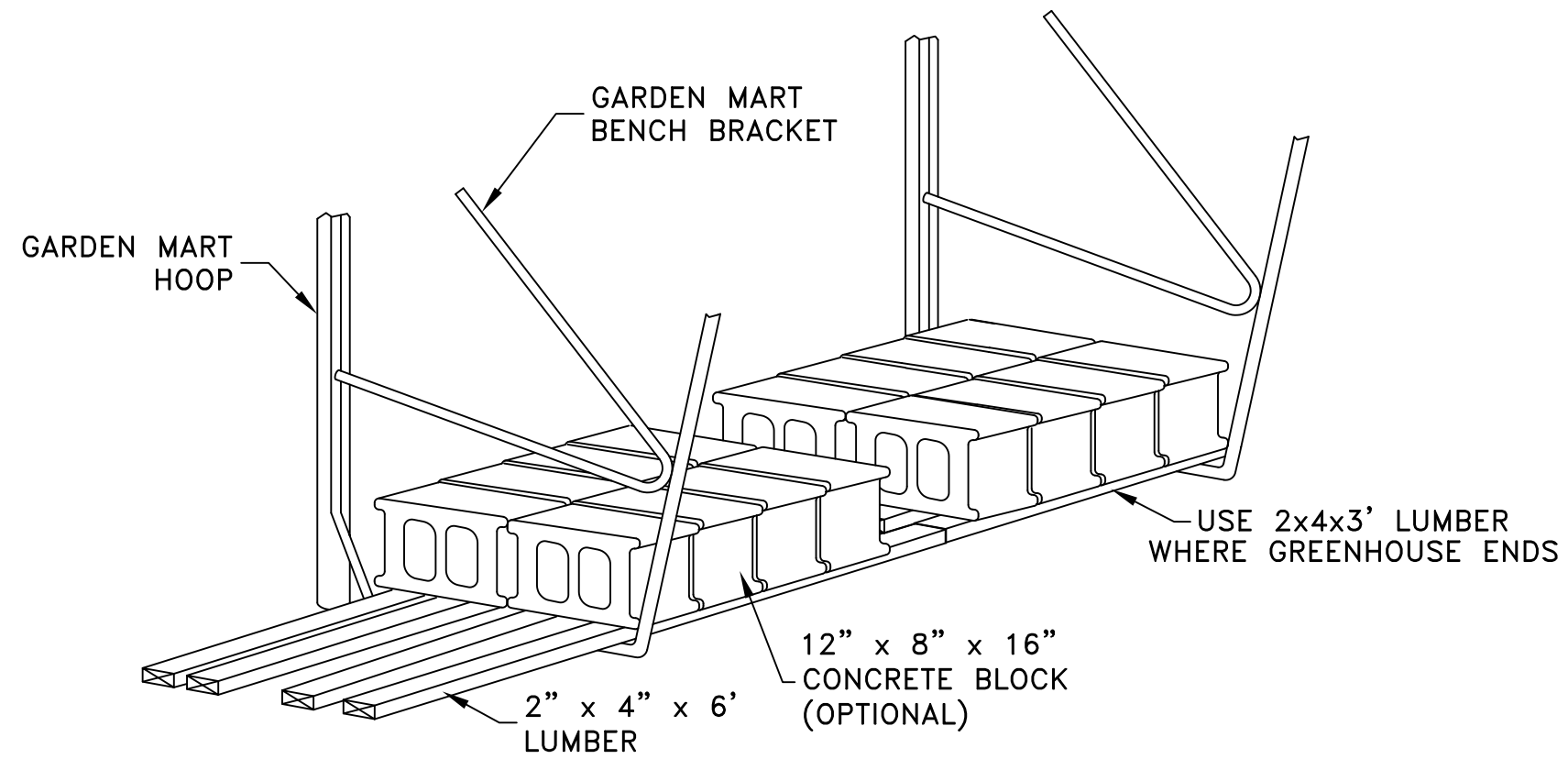
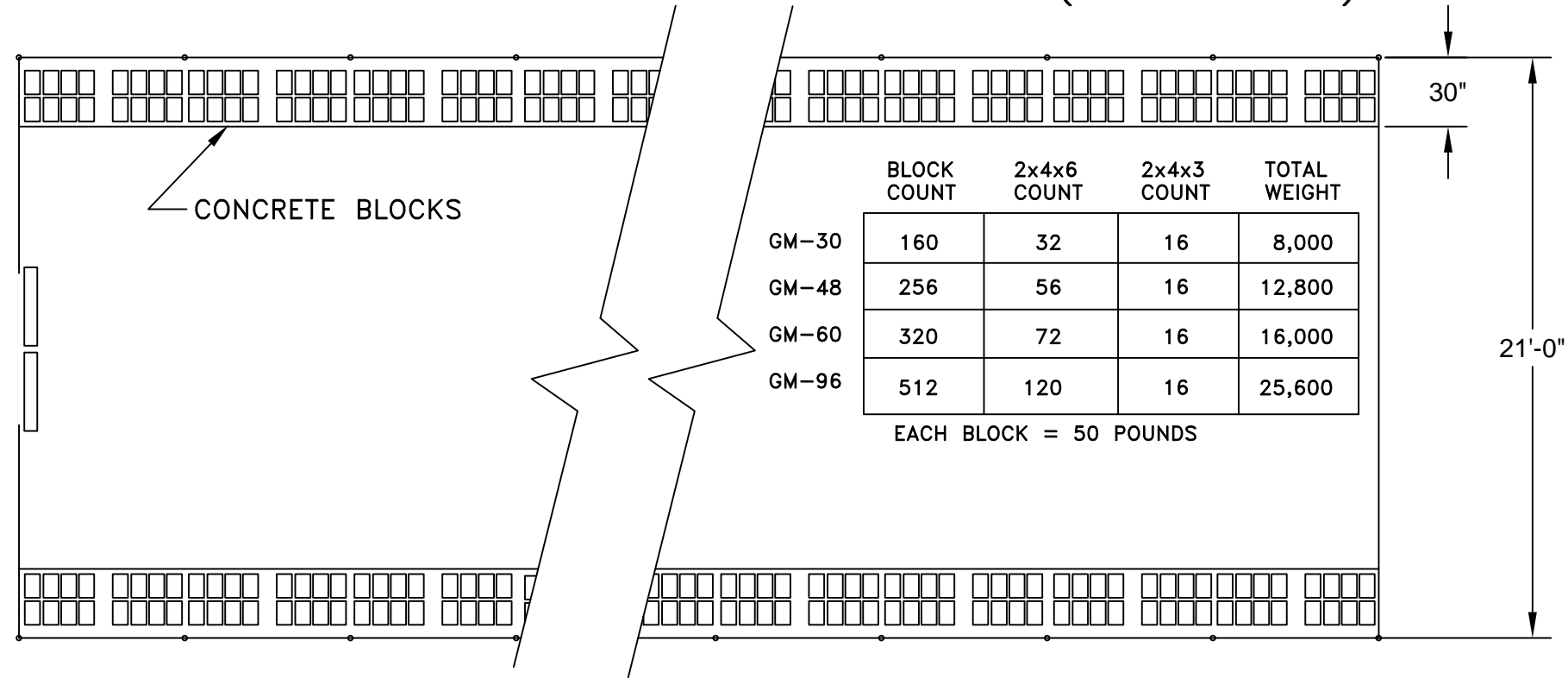


FIGURE 1

For 90 MPH Kit Option Secure bench top to top of GM bench frame with flat stacker clips at end of bench. FIGURE 1

(OPTIONAL)



BENCH VIEW

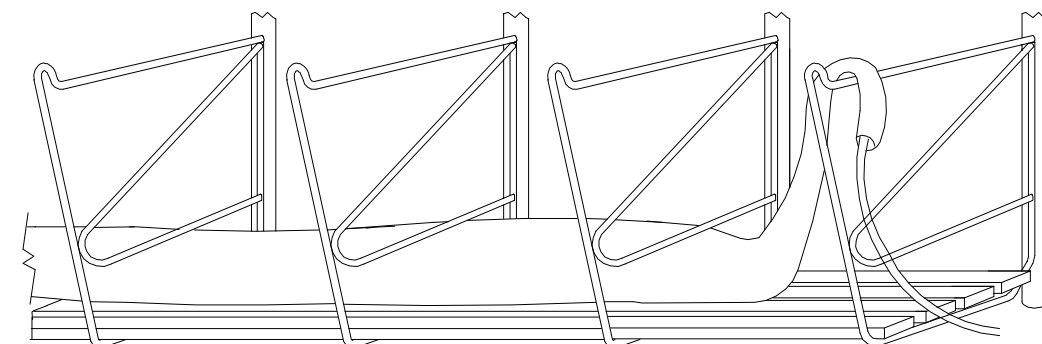
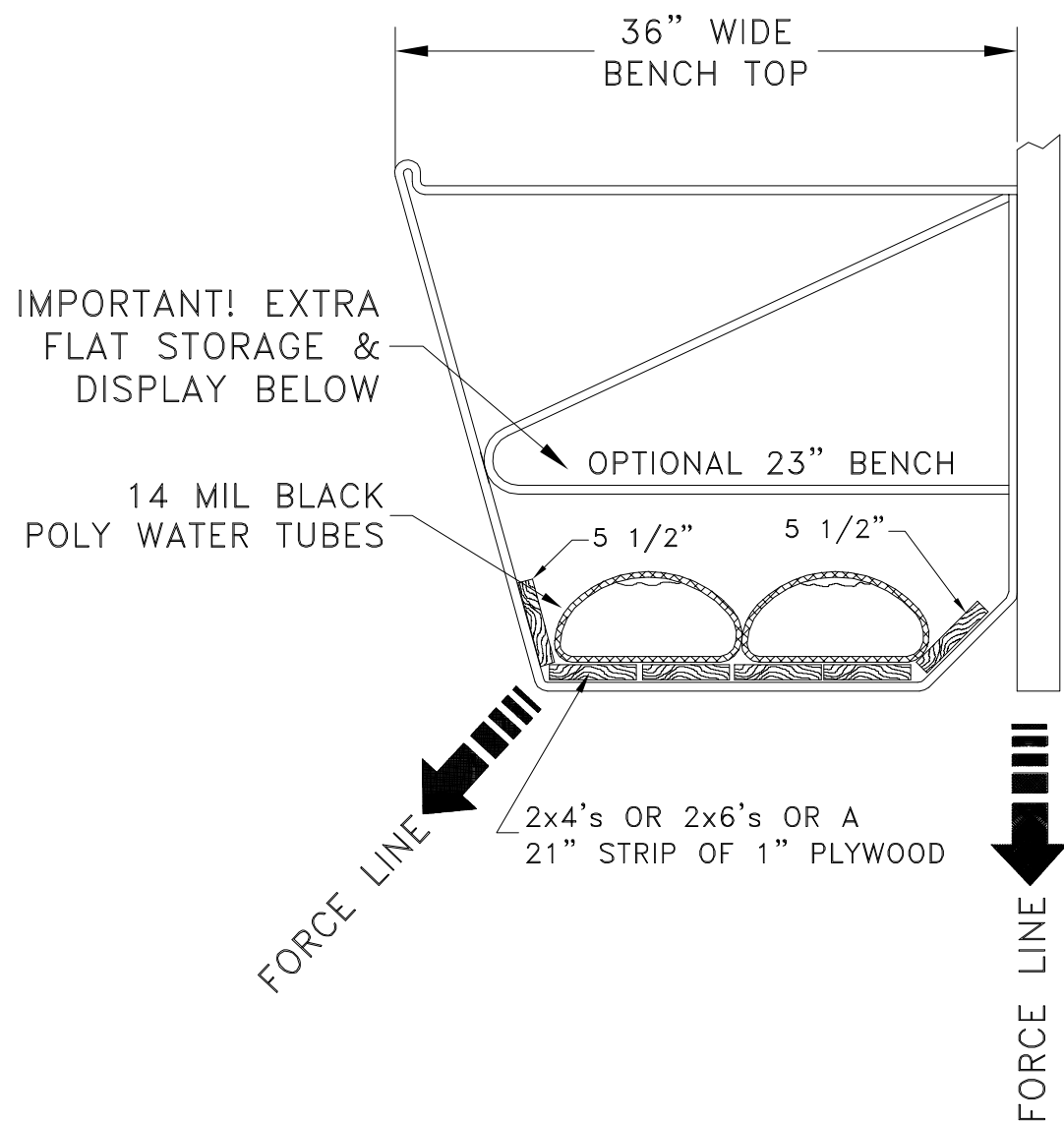
## "GARDEN MART" WATER WEIGHTS

MODEL GM-30	8,000 POUNDS OF WATER
MODEL GM-48	12,000 POUNDS OF WATER
MODEL GM-60	16,000 POUNDS OF WATER
MODEL GM-96	24,000 POUNDS OF WATER

### IMPORTANT NOTE:

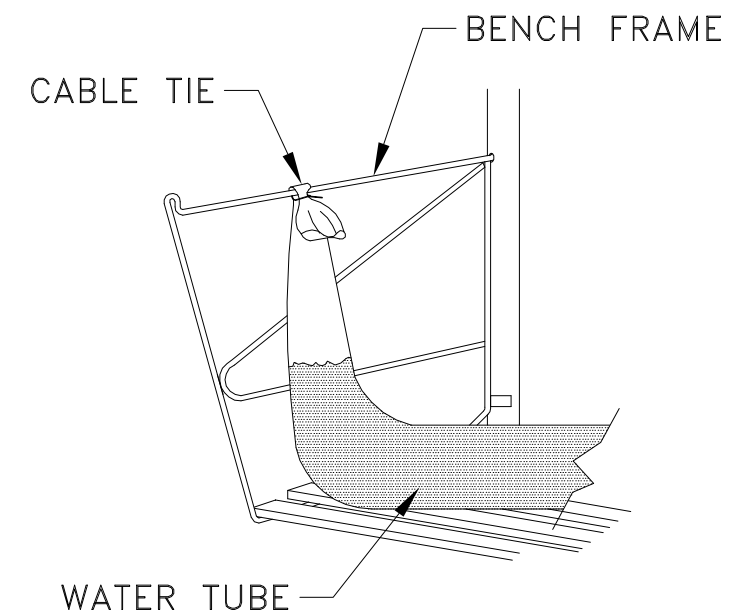
LUMBER SUCH AS 2 x 4's, 2 x 6's OR 1" THICK PLYWOOD **MUST** BE USED TO HELP CONCENTRATE WATER TUBE WEIGHT OVER THE BENCH FRAMES.

**DIVERTING FROM THIS PROCEDURE CAN CAUSE SERIOUS DAMAGE TO YOUR STRUCTURE UNDER WINDY CONDITIONS.**



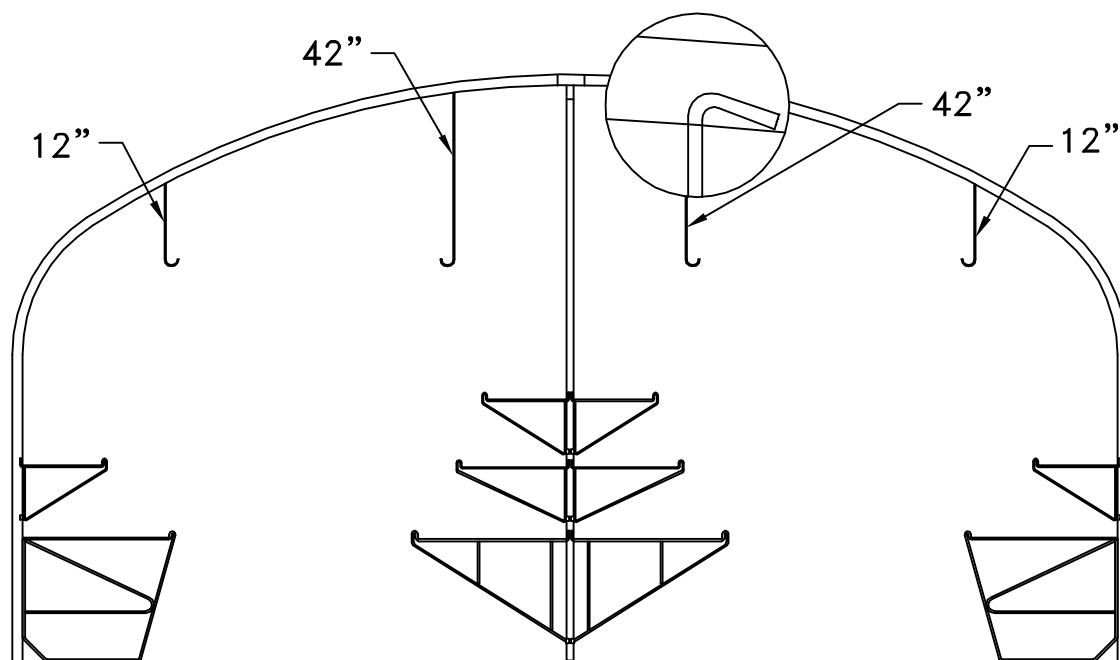
SIDE VIEW SHOWING LOCATION OF WATER TUBE

Unroll the black plastic water tubes and place them on top of the boards. Drape the open end up over the end bench frame and use a garden hose to fill the tubes. After the water tube is full, secure to the bench frame with large black cable ties as drawing indicates.

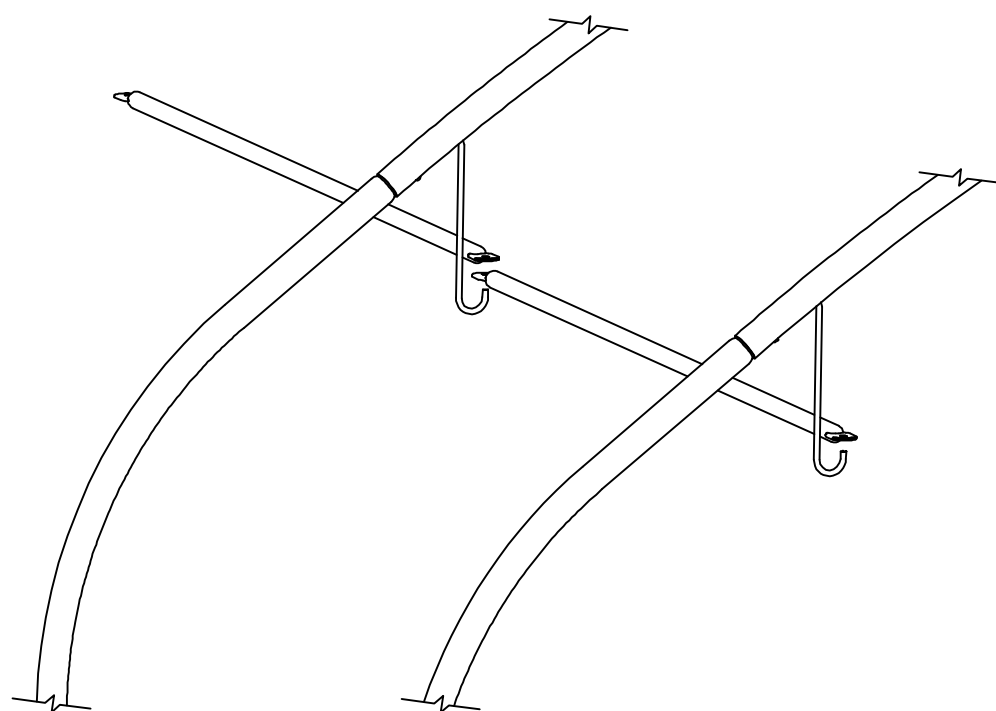


After the bench frames are installed, lay some common boards (2 x 4's or 1" plywood) on top of the lower bench tube. These will concentrate the weight of the water directly onto the bench tube.

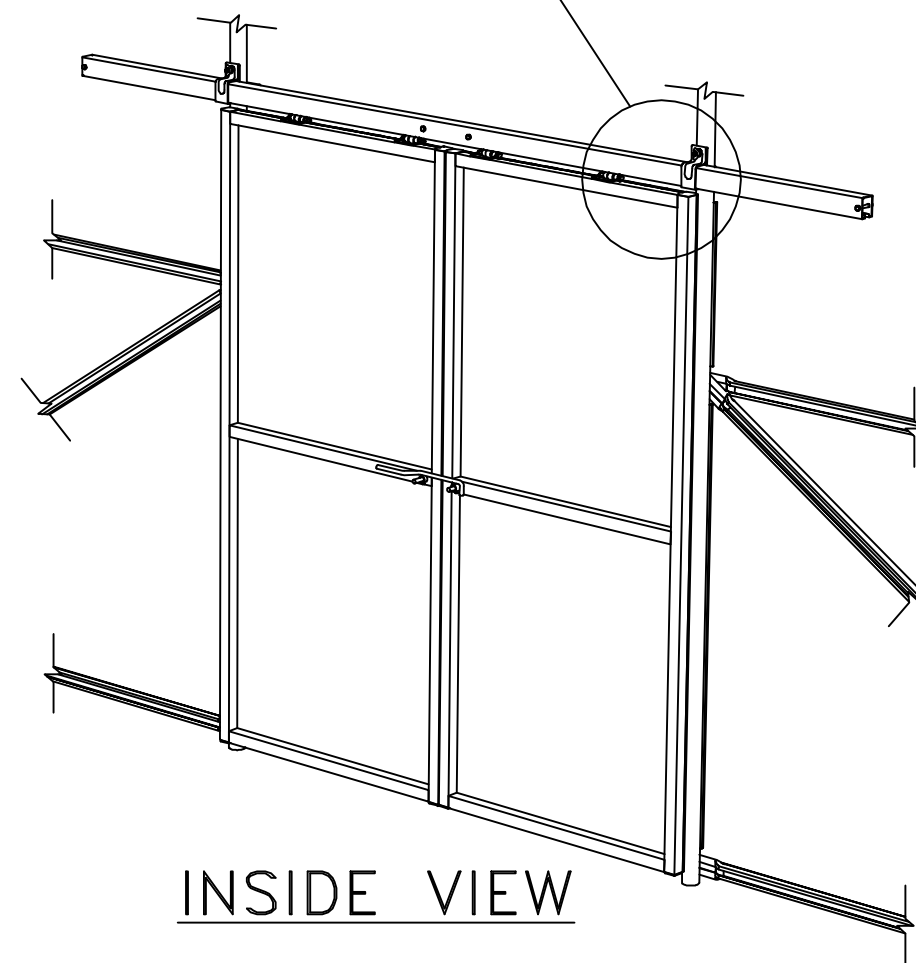
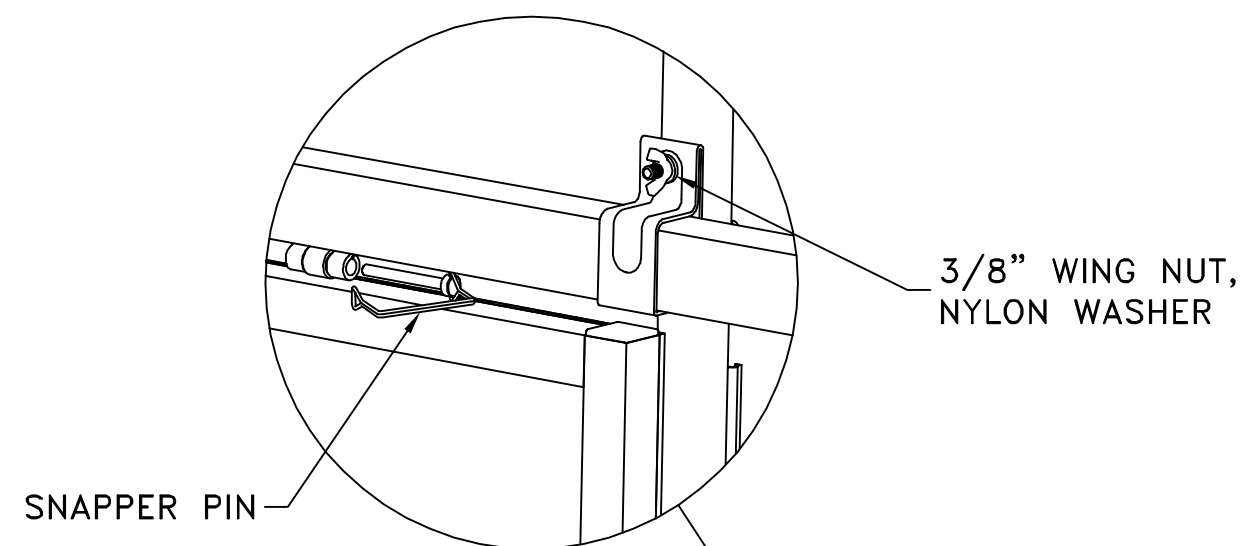
Install 12" and 42" BASKET PURLIN HOOKS.  
Simply insert the L shaped end of the hook  
into the pre-drilled holes located on  
all hoops.



Next, install basket purlins.  
Each purlin is 6'-1 1/2" long and simply hangs  
on the basket hooks. See drawing below.



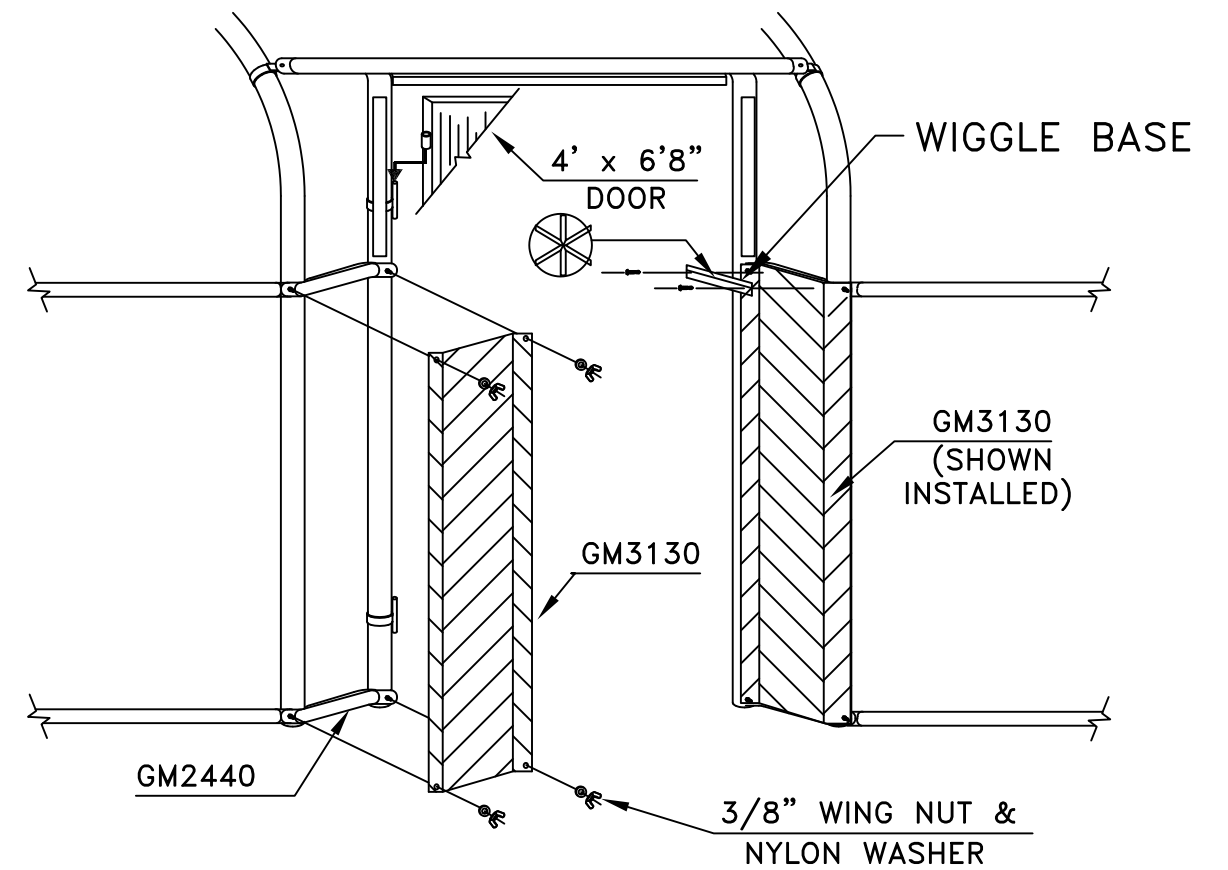
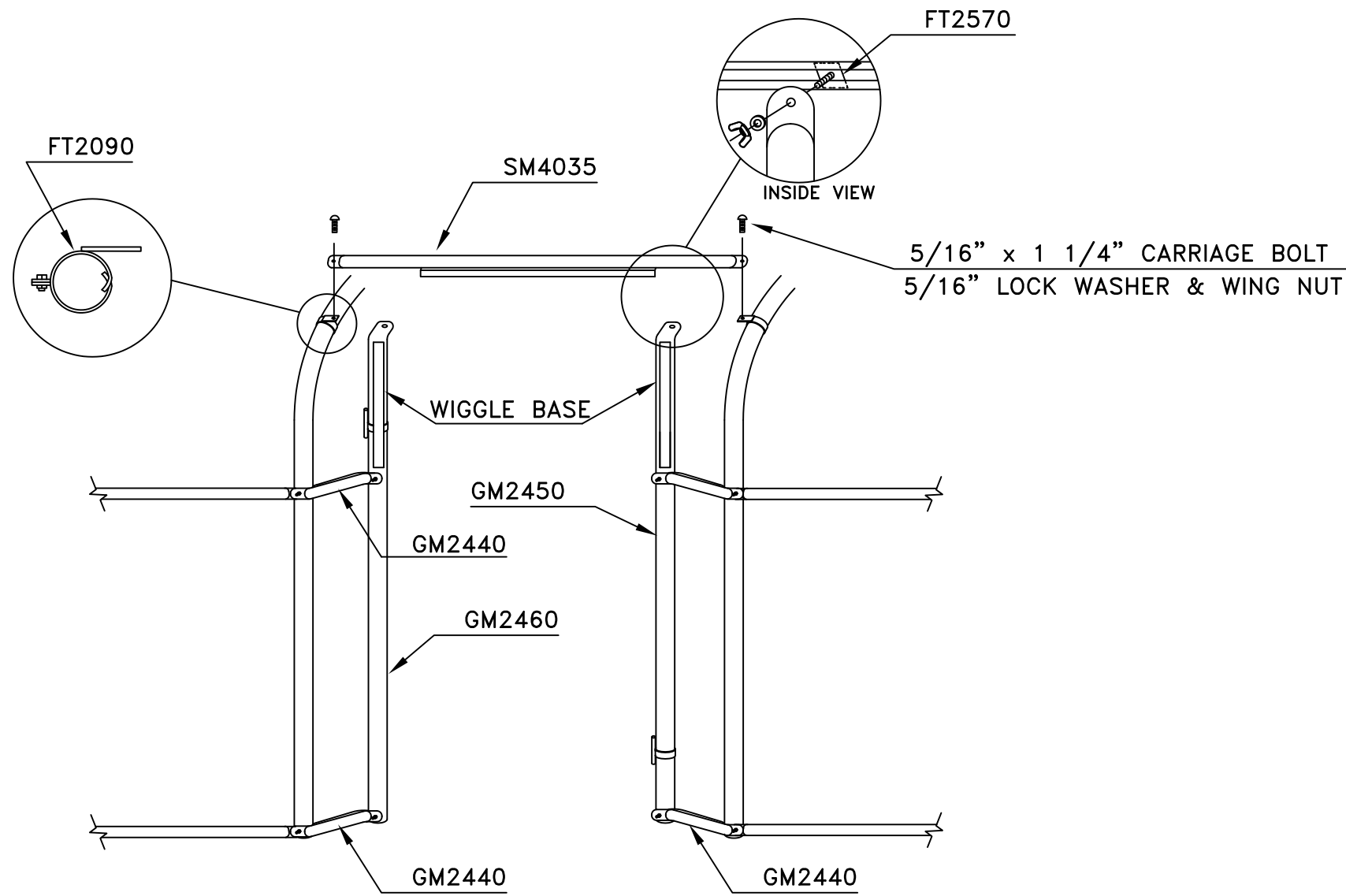
Refer to instructions included with the door latch  
kit to assemble latches to the doors.



INSIDE VIEW

(OPTIONAL)

REFER TO PAGE THREE FOR LOCATIONS



OUTSIDE VIEW

NOTE: YOU WILL NEED A DRILL WITH A 5/16" DRIVER TO ATTACH YOUR POLY FASTENER.

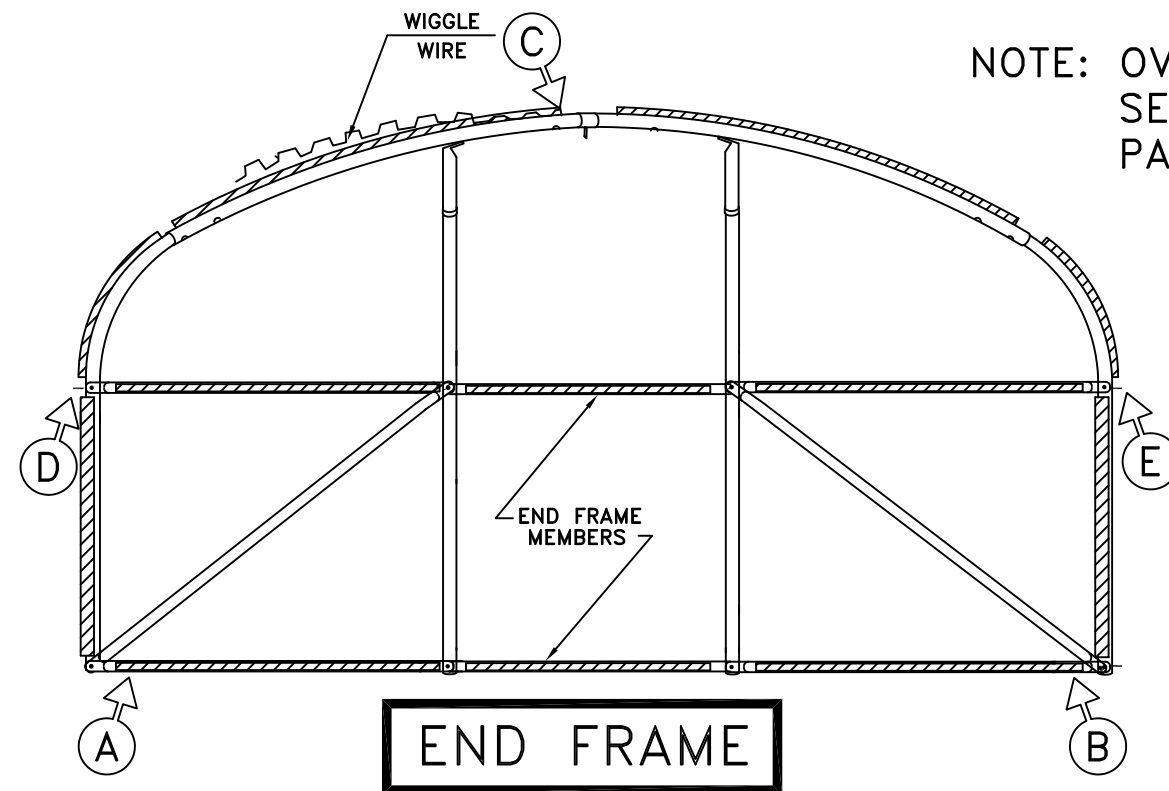
END FRAME WITH NO DOOR

Lay out the wiggle wire sections so they are handy. Unroll poly on the ground next to end hoop.

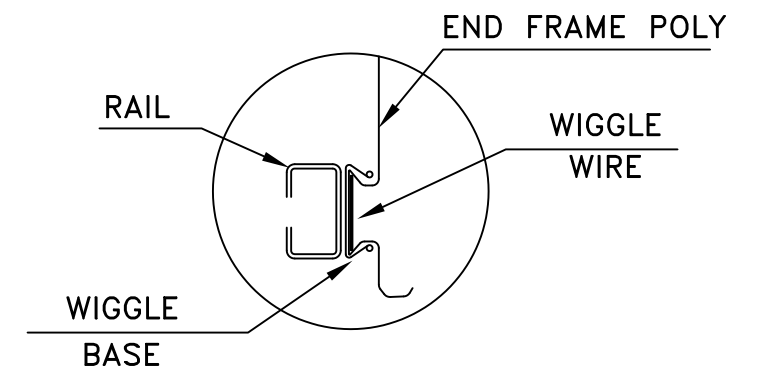
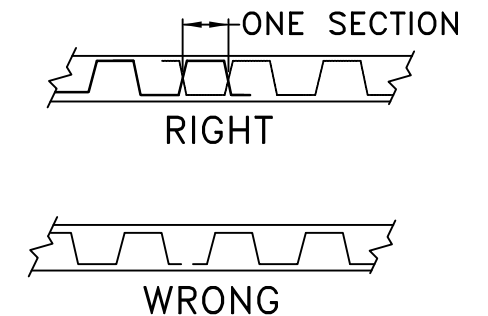
Using the edge of the poly as a guide, start installing wiggle wire at point A, and continue along the bottom to point B.

Next, attach wiggle wire starting at point D and continue horizontally to point E.

Then, lift poly to top of hoop and attach a 6' wiggle wire at point C. Tensioning poly as you go, continue down the left side to the bottom of the hoop. Then, go back to point C and finish down the other side.



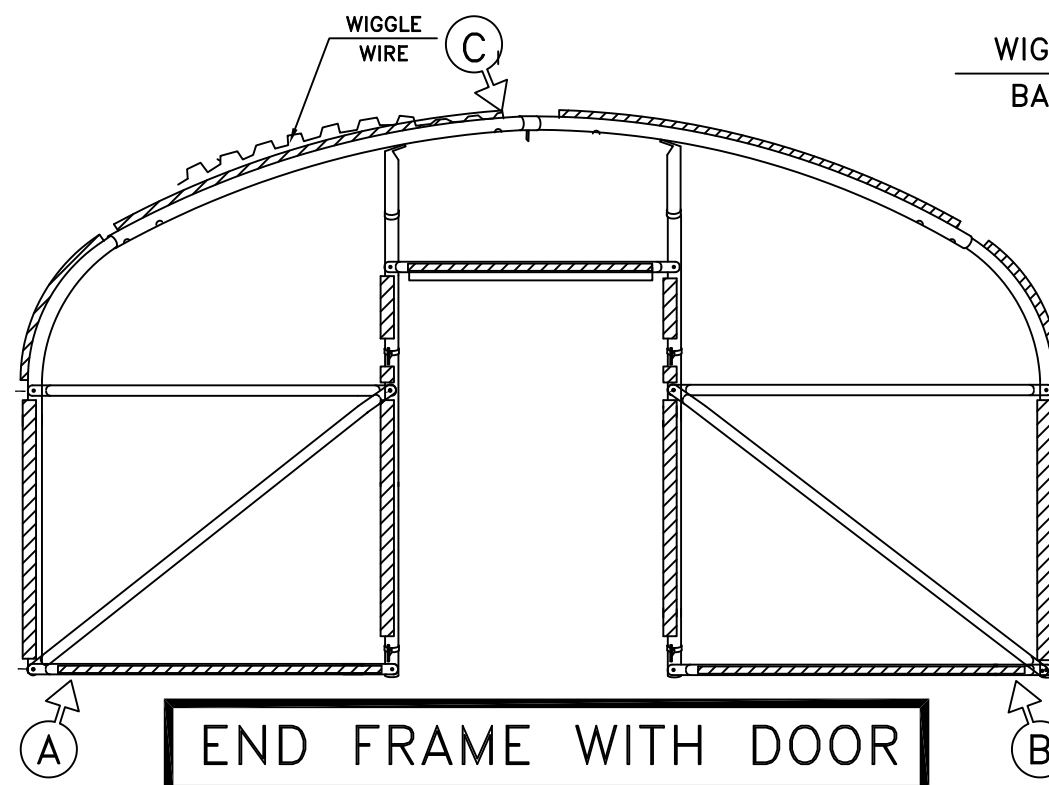
NOTE: OVERLAP WIGGLE WIRE ONE SECTION. BE SURE THE PATTERN IS REVERSED.

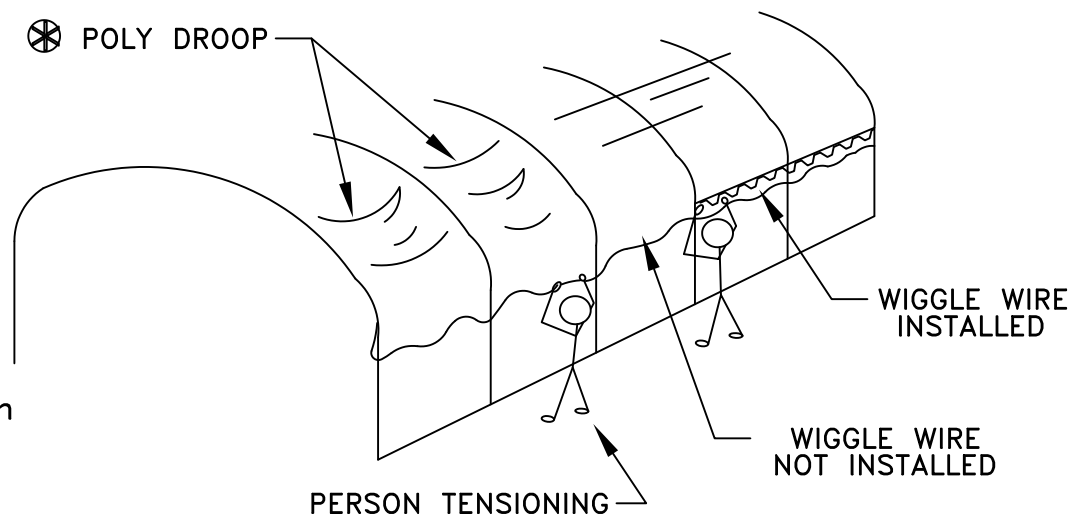
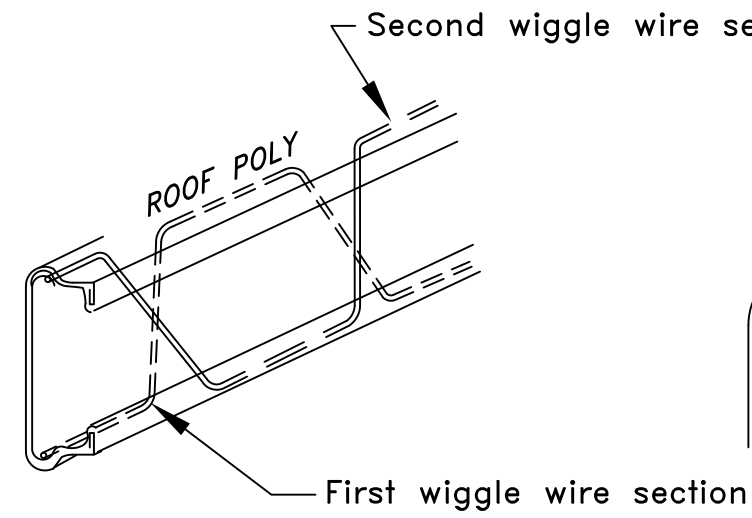
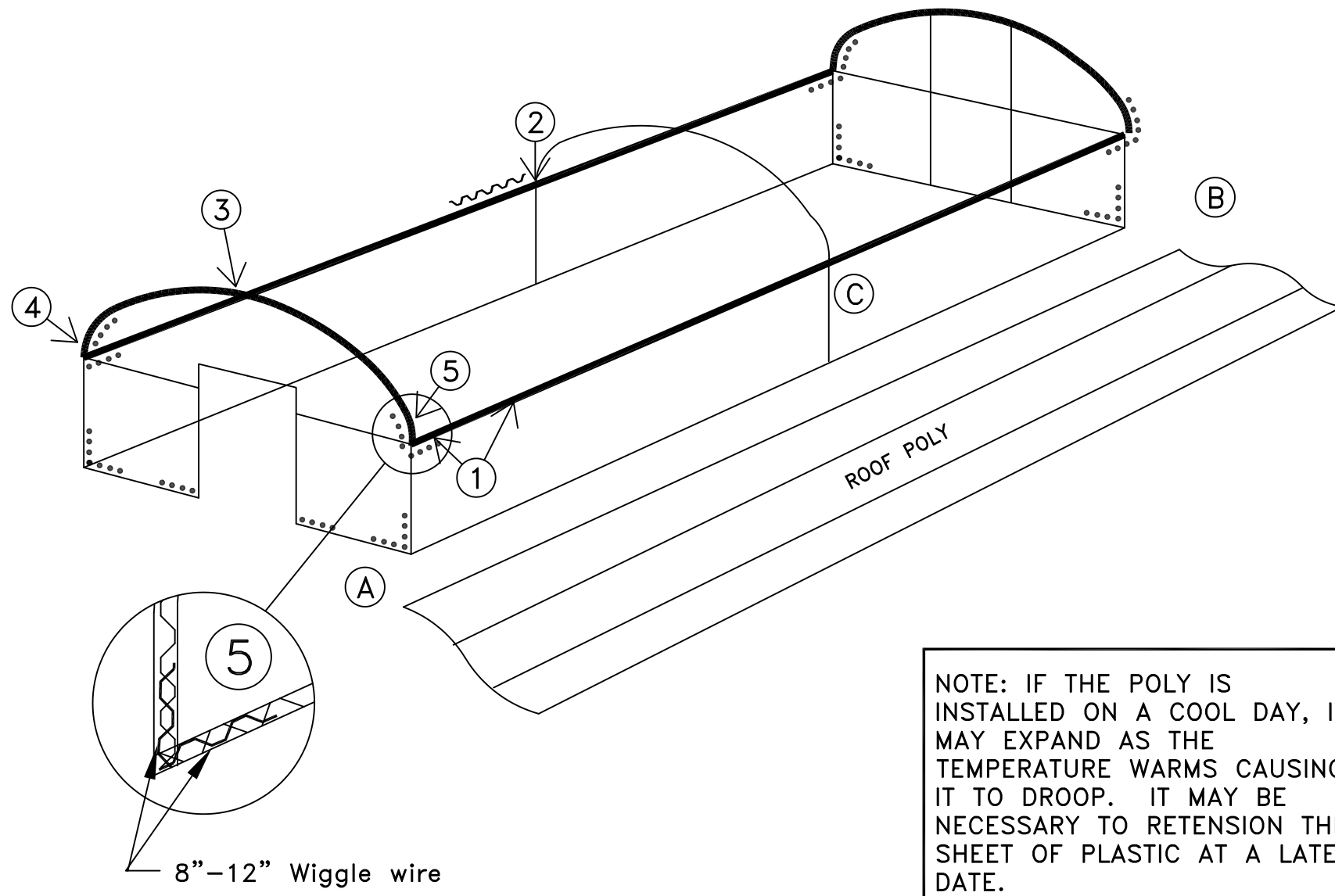
END FRAME WITH DOOR

Lay out the wiggle wire sections so they are handy. Unroll poly on the ground next to the end hoop.

Start installing wiggle wire at point A, and continue along the bottom to point B. Then, lift poly to top of hoop and attach a wiggle wire at point C. Tensioning poly as you go, continue down the left side to the bottom of the hoop. Then, go back to point C and finish down the other side.

Install wiggle wire around the door, then trim the excess poly.





When installing wiggle wire on end hoop, be sure the pattern is reversed. See above drawing.

\*Wiggle Wire is a Registered Trade Mark of Poly-Tex, Inc

Try to pick a calm day. If it is windy, it's almost impossible to handle the plastic.

Lay out the 6'6" wiggle wire around the perimeter of the structure so they are handy. Unroll the poly on the ground along the length of the structure. Be sure you have equal overhang at both ends of the greenhouse.

Place one worker at point (A) and point (B). It helps to have another worker inside the GARDEN MART at point (C), on a ladder, to help carry the poly over.

Once the poly is in position, begin installing wiggle wire sections at point (1). Complete this side of the greenhouse, using the edge of the poly as a guide. (3" to 6" overhang is adequate)

Go to the other side and install a wiggle wire section at point (2) (center), and fan out from there. Complete this side.

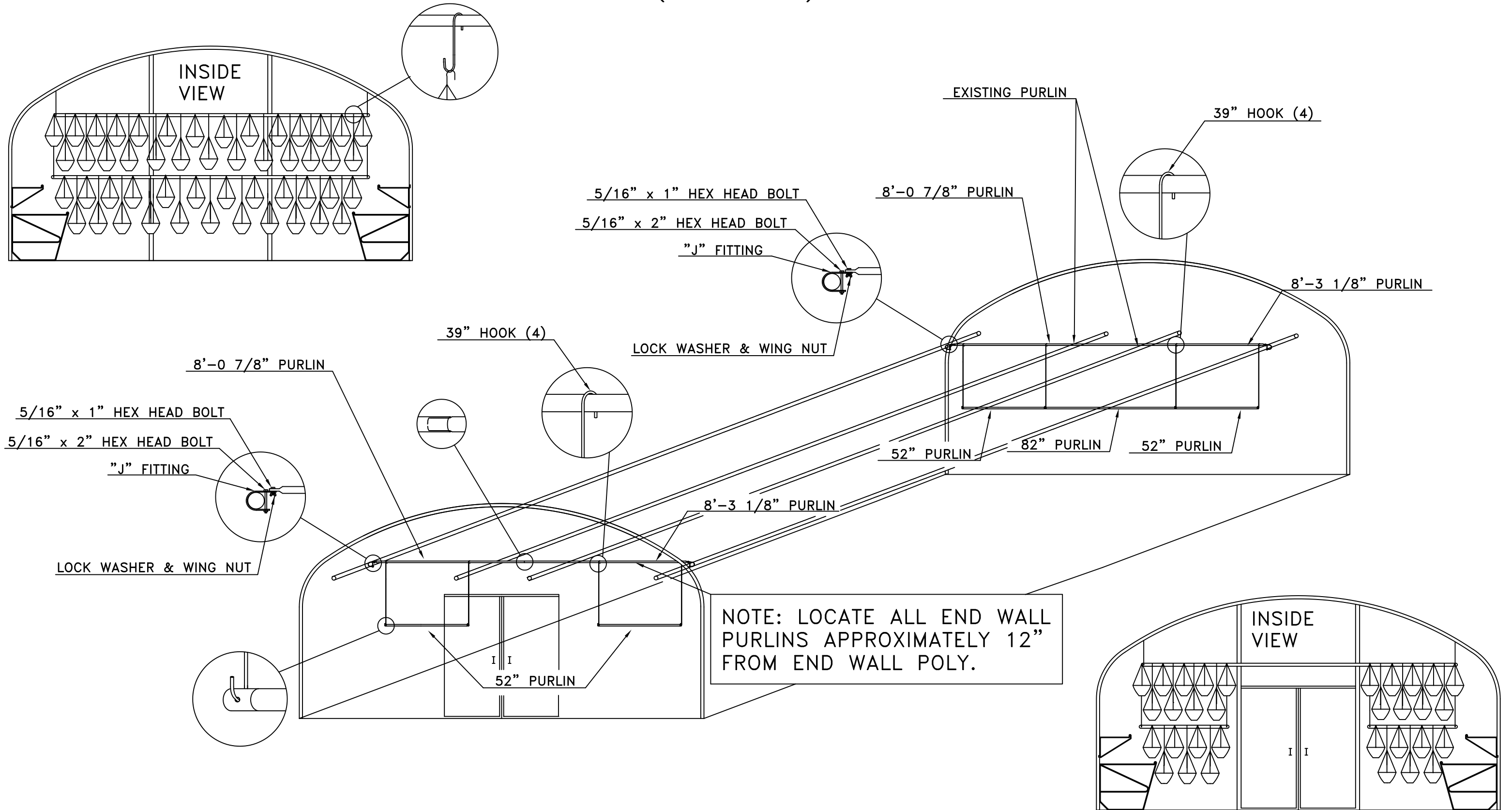
HELPFUL HINT: ⊗ To avoid poly drooping between bows, instruct a helper to tension poly one section away from person installing wiggle wire. You will notice the wrinkles disappear when this method is used. When the person who is installing the wiggle wire meets the person tensioning the poly, the tensioner can move to the next bow.

Also, after all wiggle wire has been installed, using a blunt object, press all wiggle wire firmly into base to ensure it has been seated properly.

Then, starting in the center of the end hoop, (3), begin installing wiggle wire sections down to point (4). Go back to point (3), and install wiggle wire sections to point (5). Do this on both end hoops.

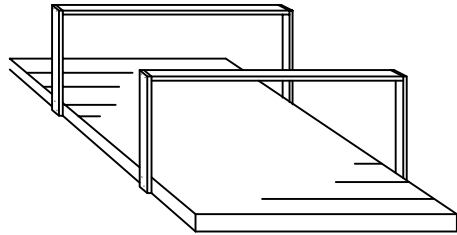
After this is done, cut remaining pieces to approximately 12" lengths. Use these in the corners (dotted lines) to reinforce the top cover and end poly. See drawing (5)

(OPTIONAL)



**VERY IMPORTANT NOTE:**

DO NOT REMOVE BLACK DIAGONAL BRACES (2 PER CORNER) UNTIL IT IS TIME TO DISASSEMBLE HOOP IT IS ATTACHED TO. THE STRUCTURE MAY COLLAPSE IF THESE ARE REMOVED BEFORE DISASSEMBLING HOOPS.



**SAVE YOUR PALLET**

**HELPFUL HINT:** Lag screw 2x4's to your pallet to keep rails, hoops, etc... from falling off.

1. Remove top cover and end covering. You may want to carefully remove the top cover, and store in a dry location, out of the sun, to enable use for another season. However, it can be difficult to line the poly up in the same poly fastener track. You may want to discard the poly, or you can reuse this to cover the dismantled GARDEN MART.

2. Remove any and all bench tops. These can be stacked neatly.

SLIDE-SIDES

3. Remove clear panels by raising them straight up and swinging the bottom edge towards you. Panels can be stacked neatly, out of the sun, for storage.
4. Remove doors for easy access in and out of the house. Do not place on bottom of the pallet.
5. Remove hold down system. (Water tubes or concrete blocks).
6. Remove Basket Purlin and hooks.
7. GARDEN MART bench brackets and V BRACKET frames can be easily lifted off.
8. Remove corner braces and purlins. You can secure the bolts and nuts on these parts after they are off the structure. This will make locating them easier the next time you set it up.
9. Starting with the end frame, take off the first top and bottom rails on each side, then lower the end hoop. Once it is on the ground, you can disassemble it. You can keep the vertical end frame parts assembled. Put nuts back on studs after rails are removed.
10. Take off the next section of rails, and lower the intermediate hoop section. The power pole can be stored without removing the extension. Repeat step 10 until you get to the end hoop. NOTE: Hoops may be stored fully assembled, if desired.
11. Lay down the end hoop and disassemble. You can keep the vertical end frame assembled in storage.
12. Place all disassembled parts on the pallet (if desired) for compact storage.