

# **BW3003** basket wave

## ASSEMBLY INSTRUCTIONS

### **IMPORTANT**

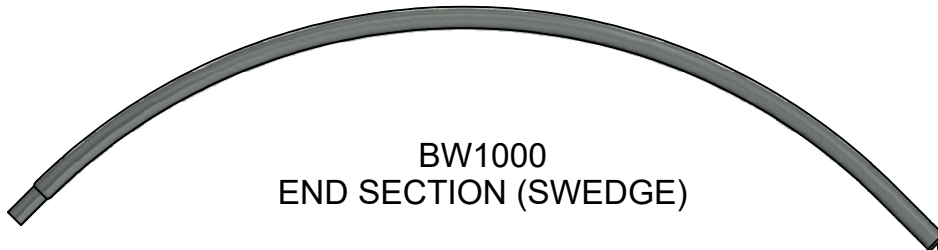
Please read these instructions carefully before beginning to assemble this display. Save instructions for future reference.



P.O. Box 458  
27725 Danville Avenue  
Castle Rock, MN 55010  
[www.poly-tex.com](http://www.poly-tex.com)

U.S. & Canada Toll Free  
800-852-3443  
(651) 463-7009  
fax (651) 463-2479

# PARTS IDENTIFICATION

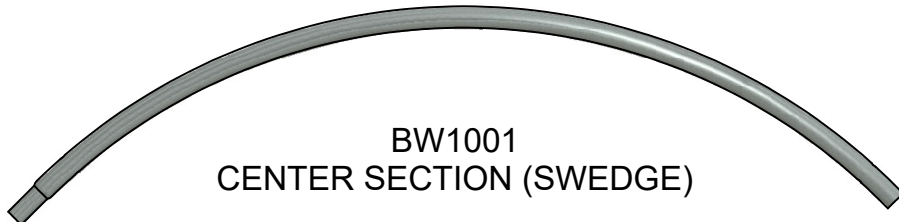


BW1000  
END SECTION (SWEDGE)

BLACK  
CAP



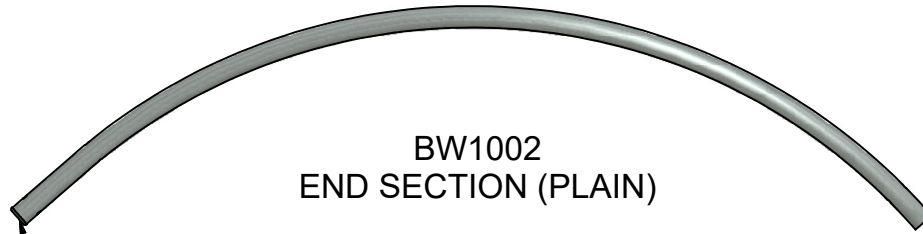
NB1818  
1/4" x 1 3/4"  
CARRIAGE BOLT



BW1001  
CENTER SECTION (SWEDGE)

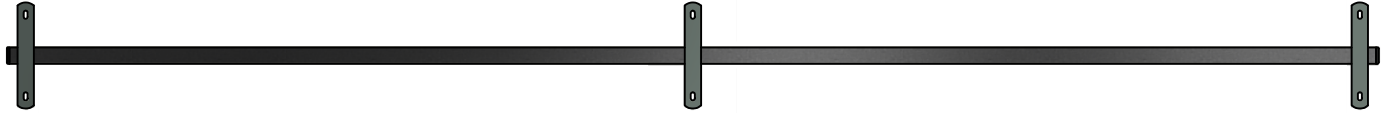


NB1754  
1/4" SERRATED  
HEX NUT



BW1002  
END SECTION (PLAIN)

BLACK  
CAP

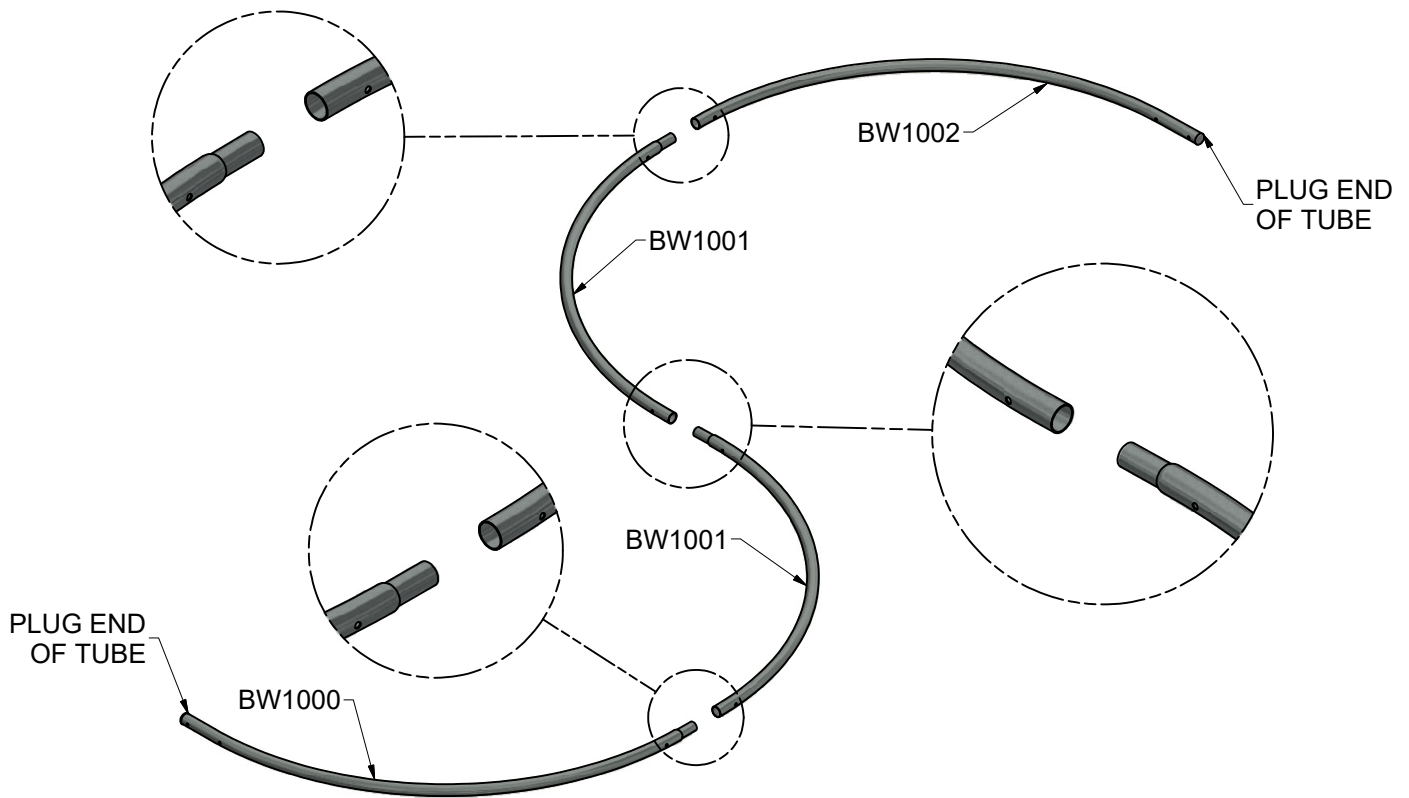


BW1005  
VERTICAL (83 3/4") 2 PURILN

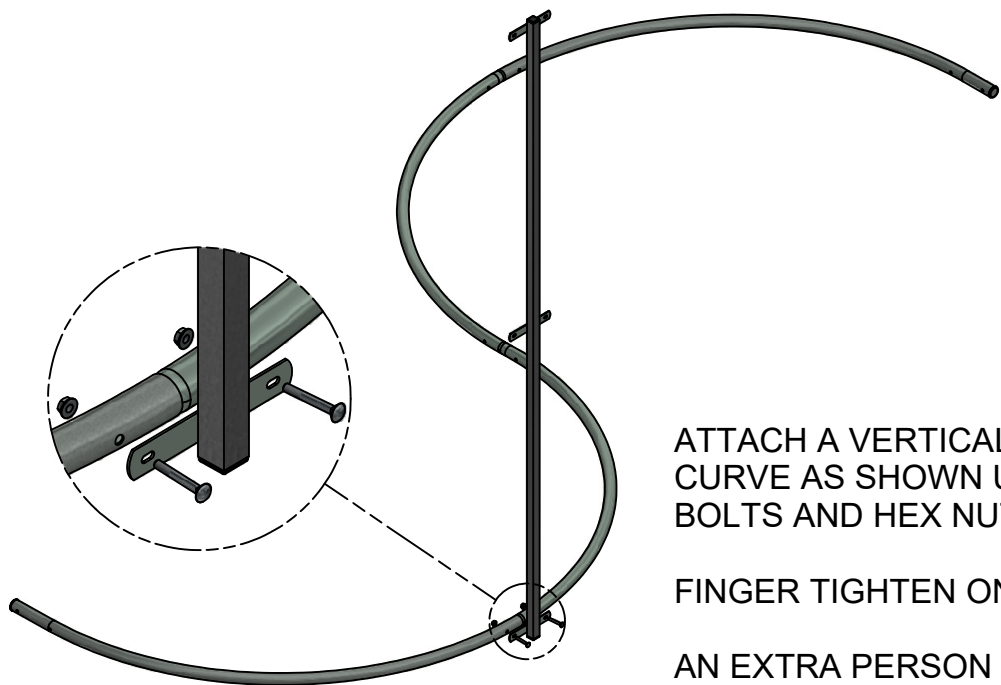
## TOOLS & EQUIPMENT REQUIRED

7/16" SOCKET OR OPEN END WRENCH

# ASSEMBLY INSTRUCTIONS



LAYOUT AND CONNECT ONE ROW OF COMPONENTS AS SHOWN.

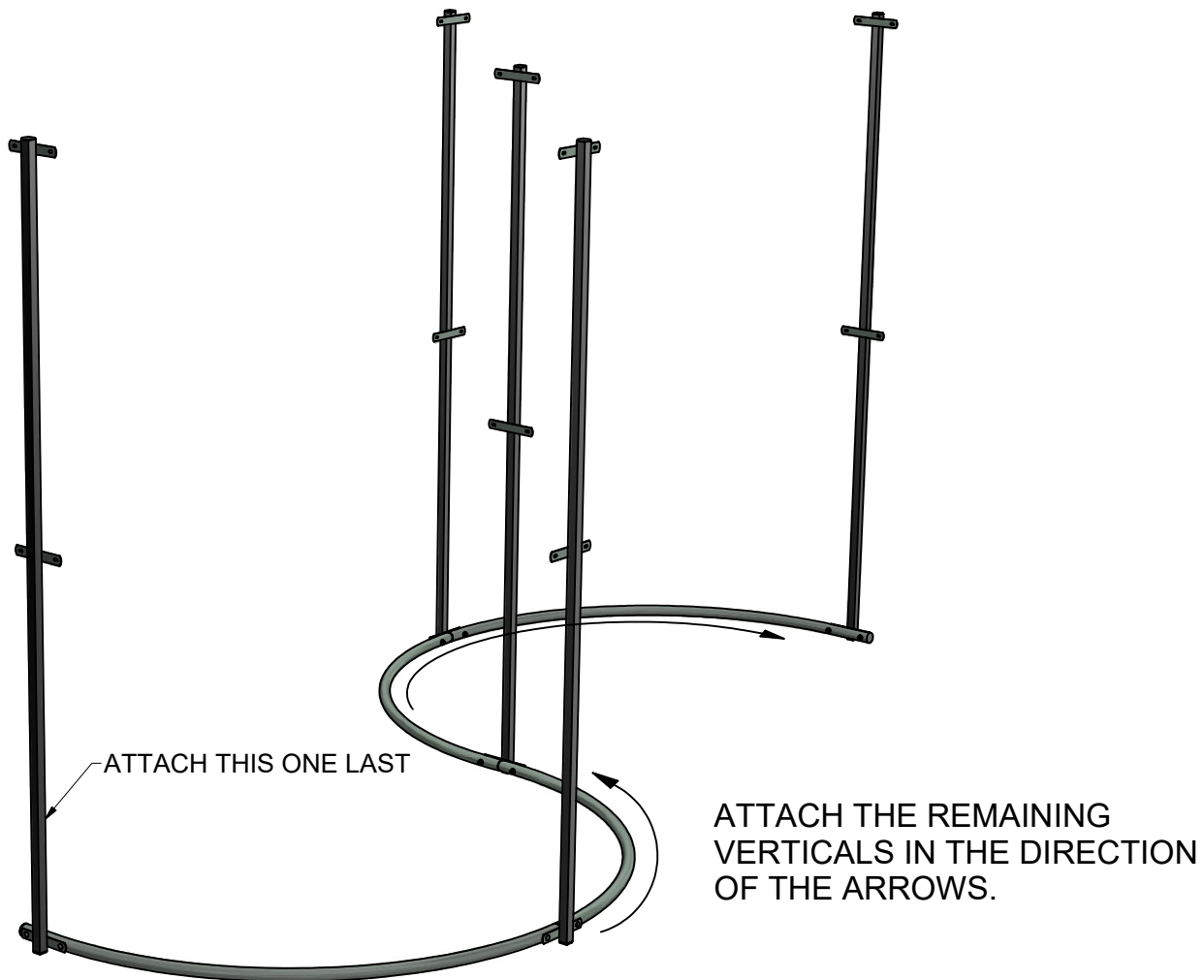


ATTACH A VERTICAL TO THE OUTSIDE OF CURVE AS SHOWN USING CARRIAGE BOLTS AND HEX NUTS.

FINGER TIGHTEN ONLY AT THIS TIME.

AN EXTRA PERSON WILL BE HELPFUL TO STABILIZE THE VERTICALS DURING ASSEMBLY.

# ASSEMBLY INSTRUCTIONS



ATTACH THE 2ND, AND 3RD ROWS TO THE VERTICALS USING THE SAME CONNECTION SEQUENCE.

WHEN ASSEMBLY IS COMPLETE, PLUMB THE VERTICALS AND TIGHTEN SECURELY.

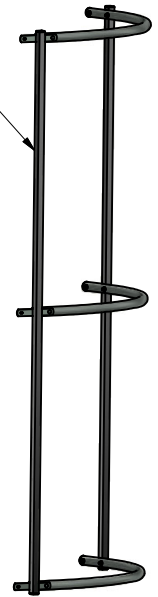


# 6' ADD-ON ASSEMBLY INSTRUCTIONS

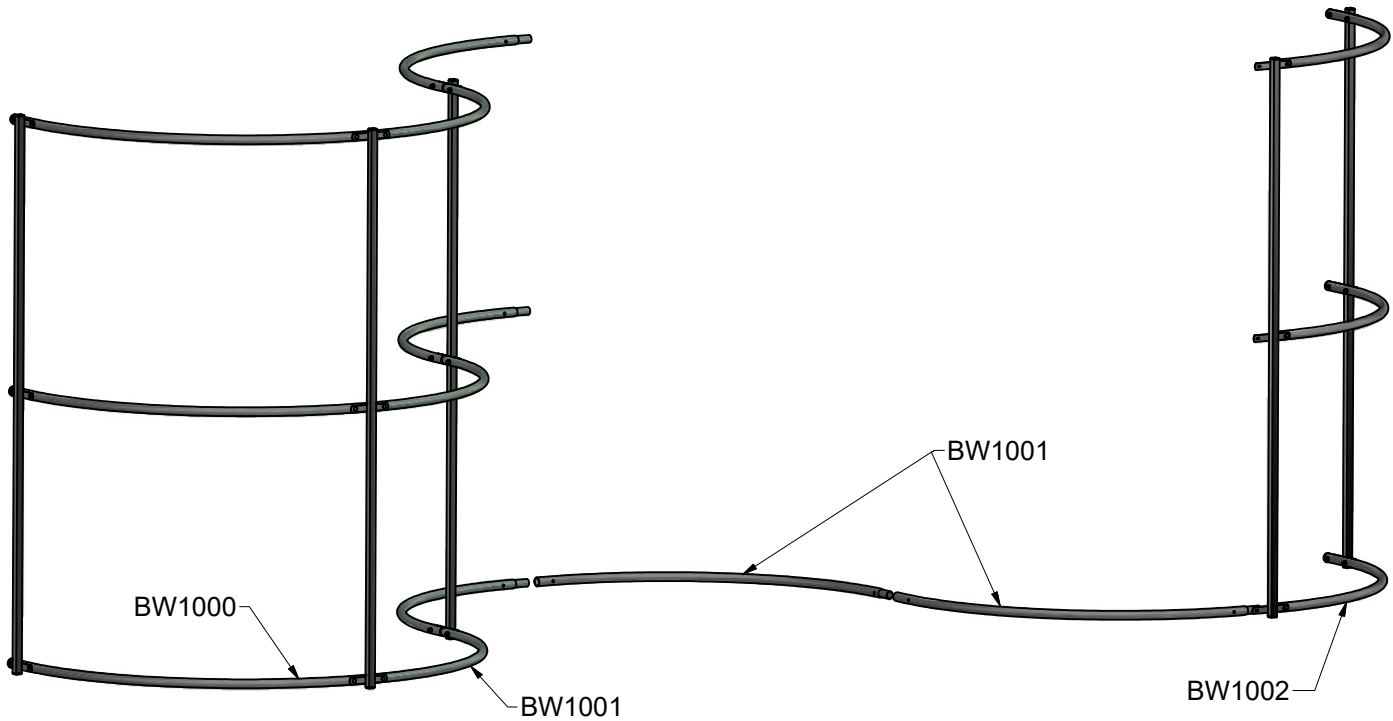


LOOSE END  
OF DISPLAY

PORCION OF DISPLAY  
CONTAINING BW1002  
SECTIONS



REMOVE 4 BOLTS FROM ONE GROUP OF BW1001 SECTIONS OF THE DISPLAY AND SEPARATE FROM DISPLAY AS SHOWN. TURN THE BW1002 SECTION UPSIDE DOWN.



BW1000

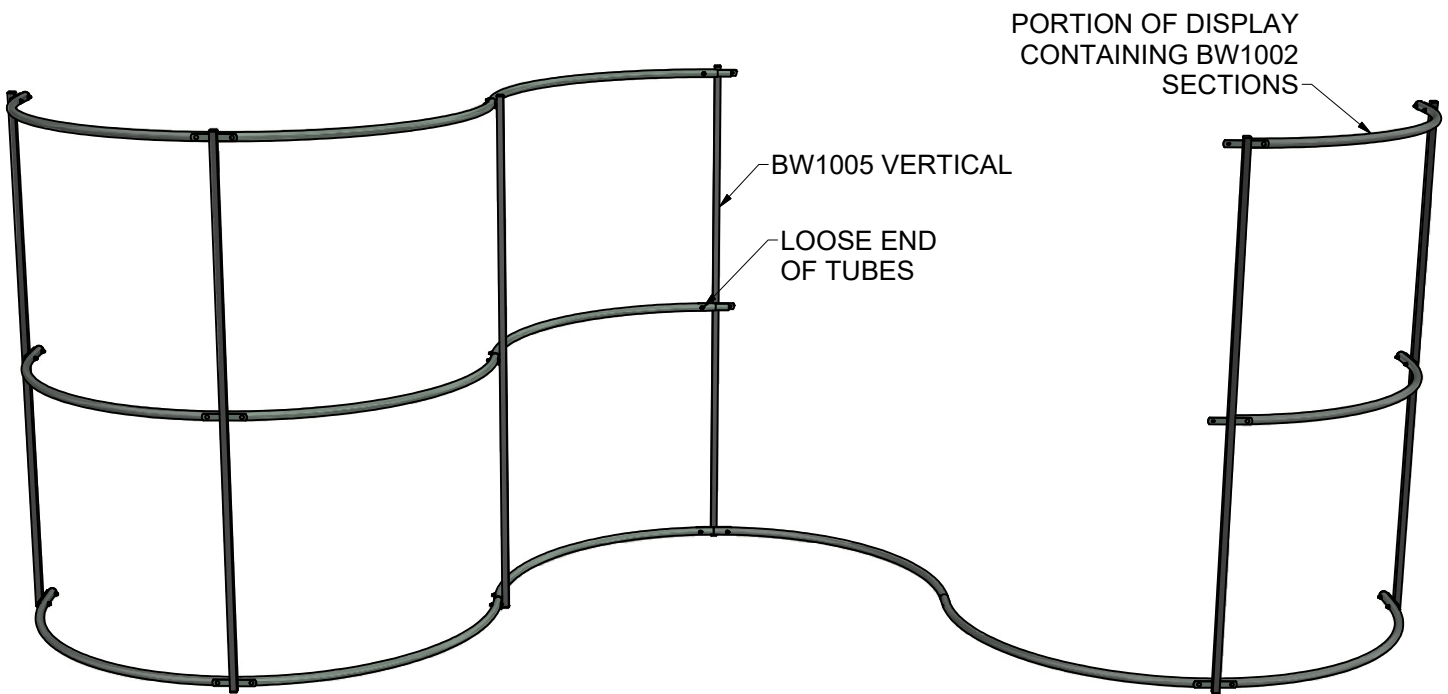
BW1001

BW1001

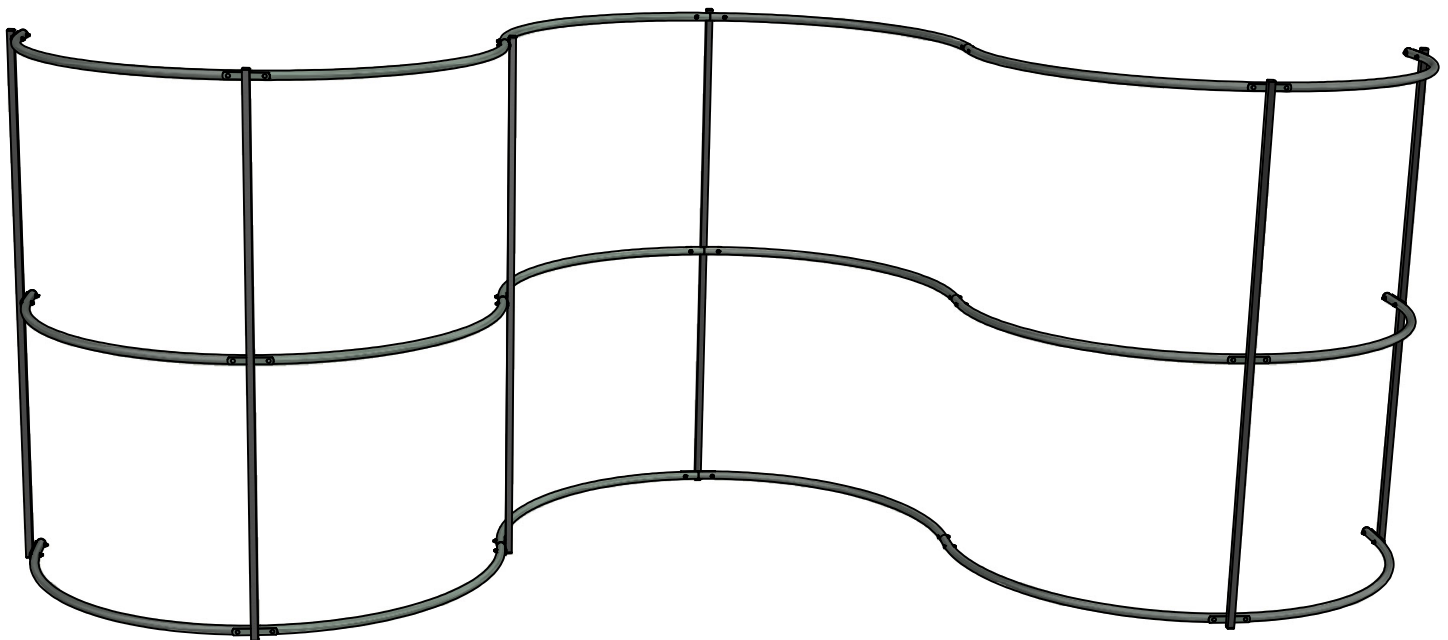
BW1002

CONNECT TWO TUBES OF THE EXTENTION AS SHOWN.

# 6' ADD-ON ASSEMBLY INSTRUCTIONS

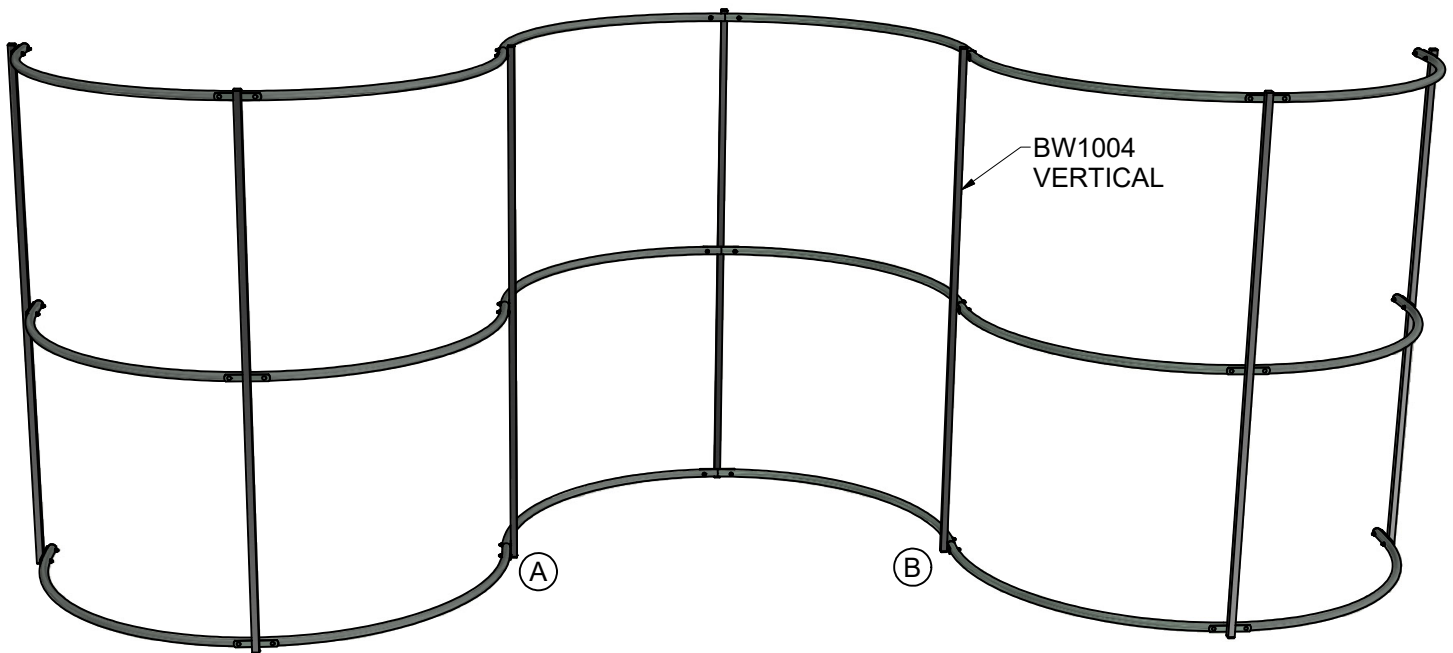


ATTACH THE BW1004 VERTICAL TO THE LOOSE ENDS OF TUBES USING THE CARRIAGE BOLTS AND HEX NUTS AS DESCRIBED ON PAGE 3. FINGER TIGHTEN AT THIS TIME.



CONTINUE TO ASSEMBLE THE ROWS AND VERTICALS USING THE CARRIAGE BOLTS AND HEX NUTS AS SHOWN.

## 6' ADD-ON ASSEMBLY INSTRUCTIONS



ATTACH THE FINAL BW1005 VERTICAL.

NOTE: VERTICALS AT POINTS A & B MAY BE IN EITHER SIDE OF THE CURVES. ALL OTHER VERTICALS MUST BE ON THE OUTSIDE OF CURVES.

WHEN THE ASSEMBLY IS COMPLETE PLUMB THE VERTICALS AND TIGHTEN SECURELY.

## SAFETY GUIDELINES

**Do not** climb, sit on, or use this product as a ladder. Injuries may occur.

**Do not** place or install electrical items on this product. Wet conditions are typical and electrical shock may occur.

**Do not** place this product on a slope that exceeds 3 degrees.

**Do not** move this display after product is in place. Damage to display and injuries may occur.

## CARE & MAINTENANCE

To remove loose soil and debris, simply spray the soiled areas with water from a garden hose.

Prior to storage, all surfaces of this product should be sprayed down with water and allowed to dry completely.

### Limited Warranty

Poly-Tex, Inc. warrants its products to be free from defects in material and workmanship for a period of (1) year from date of invoice. This warranty is provided to the original purchaser of the product and is not transferable. Poly-Tex does not warrant parts not manufactured by Poly-Tex, but does assign any transferable manufacturer or supplier warranties. Should any defect be found, full repair or replacement will be rendered to the customer at no cost following inspection by a Poly-Tex representative and the return of the defective product to our Castle Rock, MN factory. Expenses for removal or reinstallation of defective products will not be covered by the warranty.

**POLY-TEX SHALL NOT BE HELD RESPONSIBLE FOR ANY SPECIAL OR CONSEQUENTIAL DAMAGES, OR FOR ANY DELAY IN PERFORMANCE OF THIS WARRANTY BEYOND OUR CONTROL. THIS WARRANTY IS EXCLUSIVE AND IN LIEU OF ALL OTHER WARRANTIES WHETHER IMPLIED, WRITTEN OR ORAL INCLUDING THE WARRANTIES OF MERCHANTABILITY AND FITNESS FOR A PARTICULAR PURPOSE.**

This warranty does not cover damage from customer abuse, misuse, improper installation, customer modifications, customer negligence in performing normal maintenance, damage resulting from acts of nature.

Contact information  
Poly-Tex, Inc. PO Box 458  
27725 Danville Ave Castle Rock, MN 55010  
Toll free (800) 852-3443 Fax (651) 463-2479  
[www.poly-tex.com](http://www.poly-tex.com)