

BD3000 circular display 32-54

ASSEMBLY INSTRUCTIONS


IMPORTANT

Please read these instructions carefully before beginning to assemble this display. Save instructions for future reference.

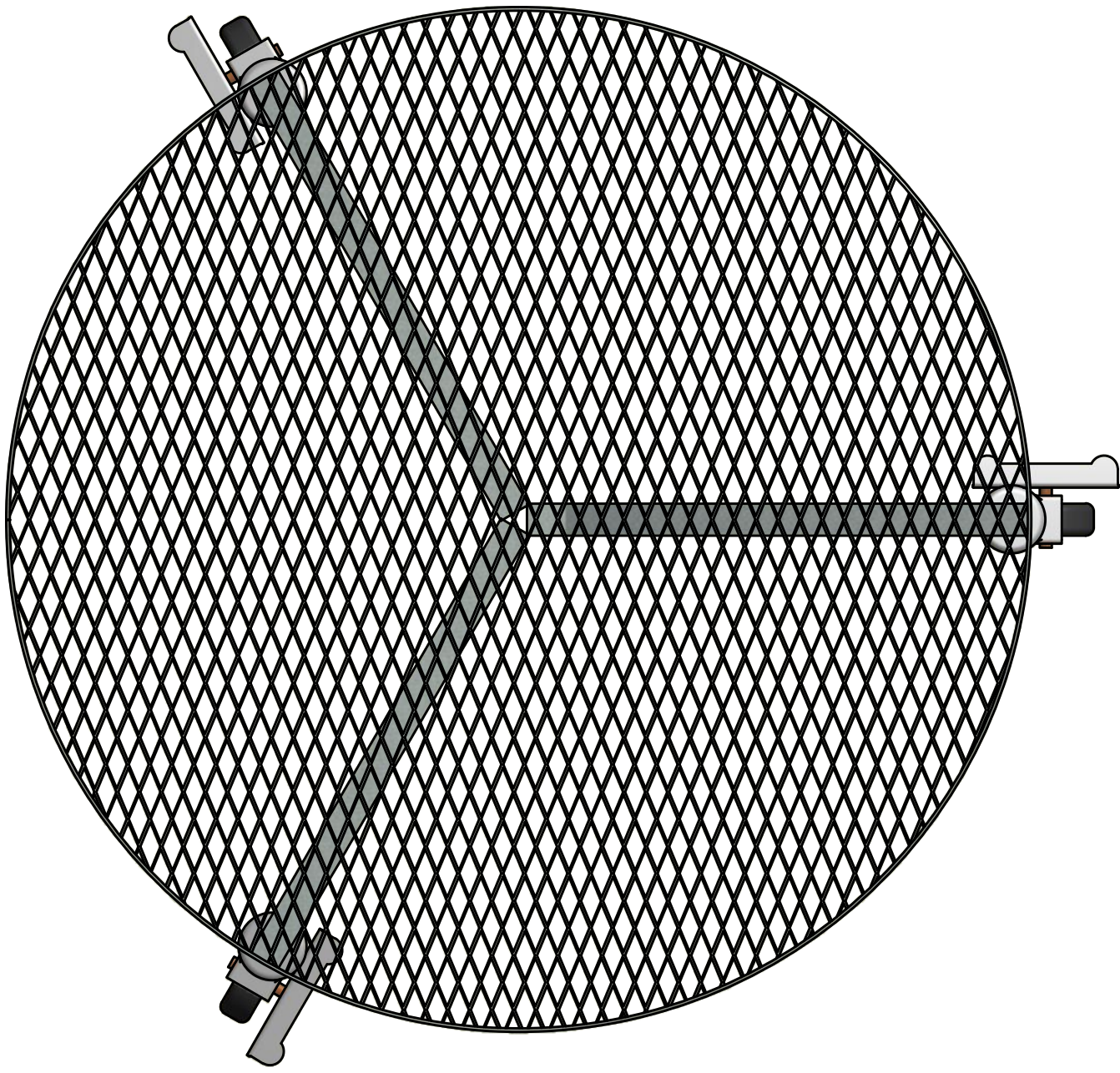


P.O. Box 458
27725 Danville Avenue
Castle Rock, MN 55010
www.poly-tex.com

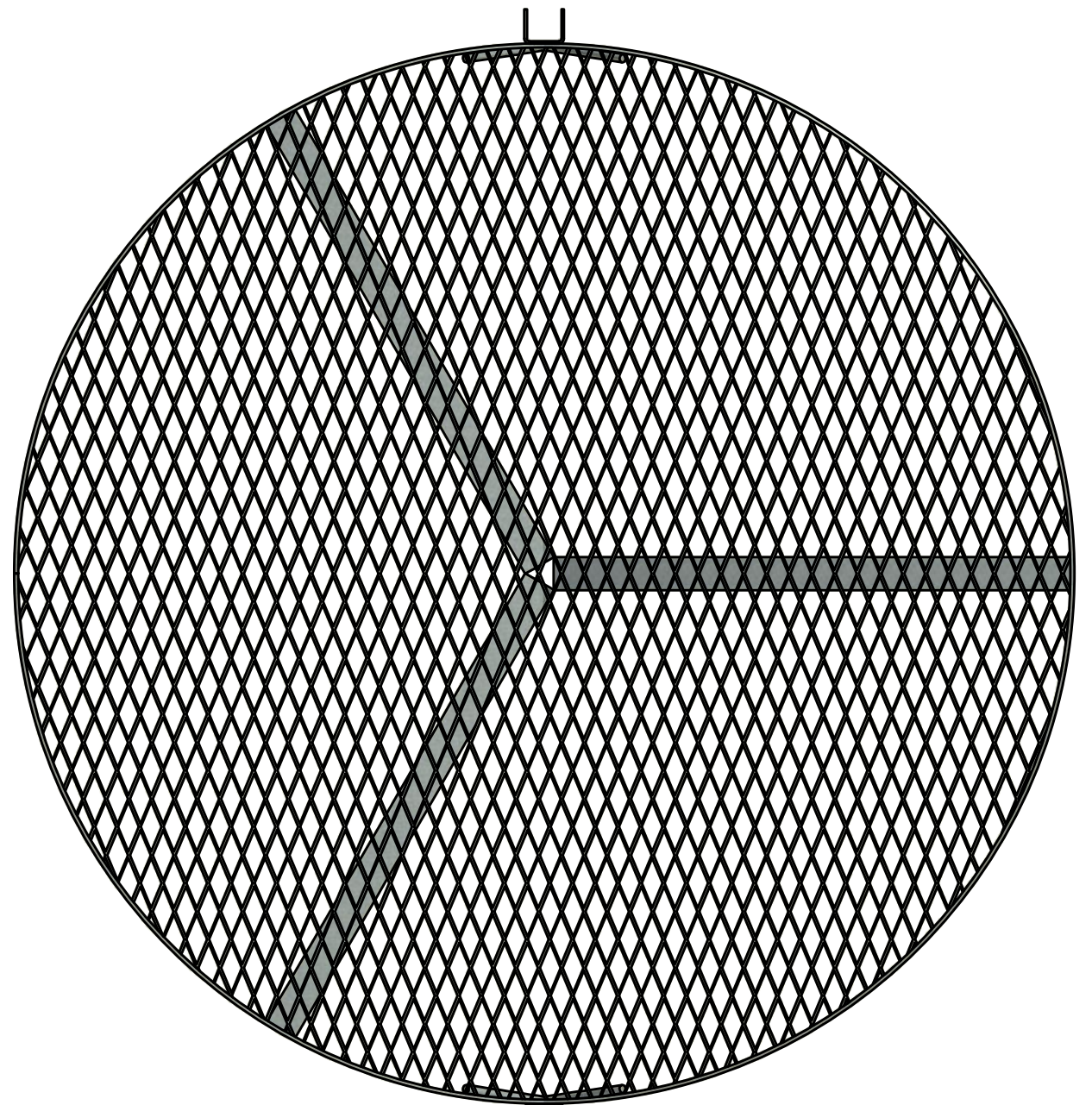
U.S. & Canada Toll Free
800-852-3443
(651) 463-7009
fax (651) 463-2479


POLY-TEX
Greenhouse & Display Systems

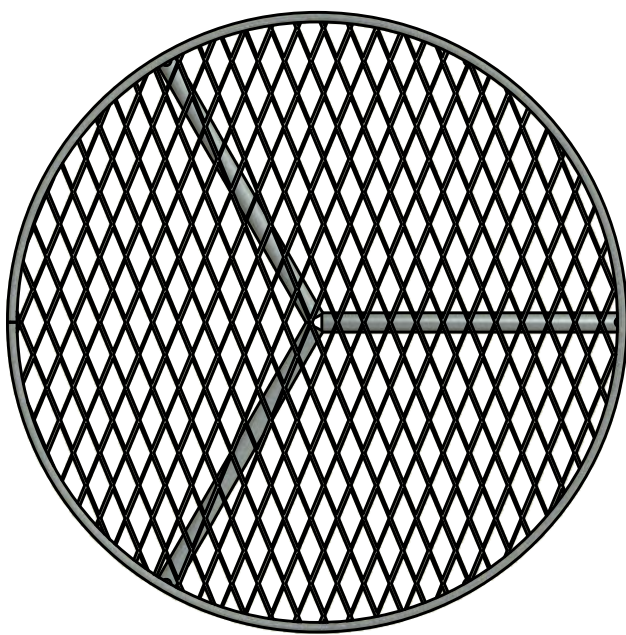
PARTS IDENTIFICATION



BD1000
BASE (32")



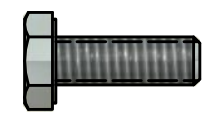
BD1001
SHELF (32")



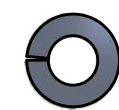
BD1002
SHELF (16")



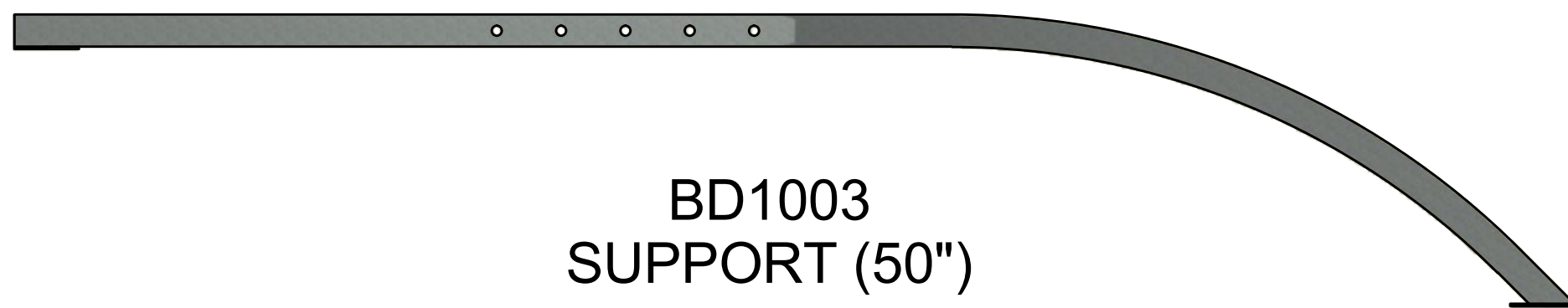
NB1972
1/4" x 1 1/2" HEX BOLT



NB1840
1/4" x 3/4" HEX BOLT



NB1860
1/4" LOCK WASHER



BD1003
SUPPORT (50")



NB1870
1/4" HEX NUT

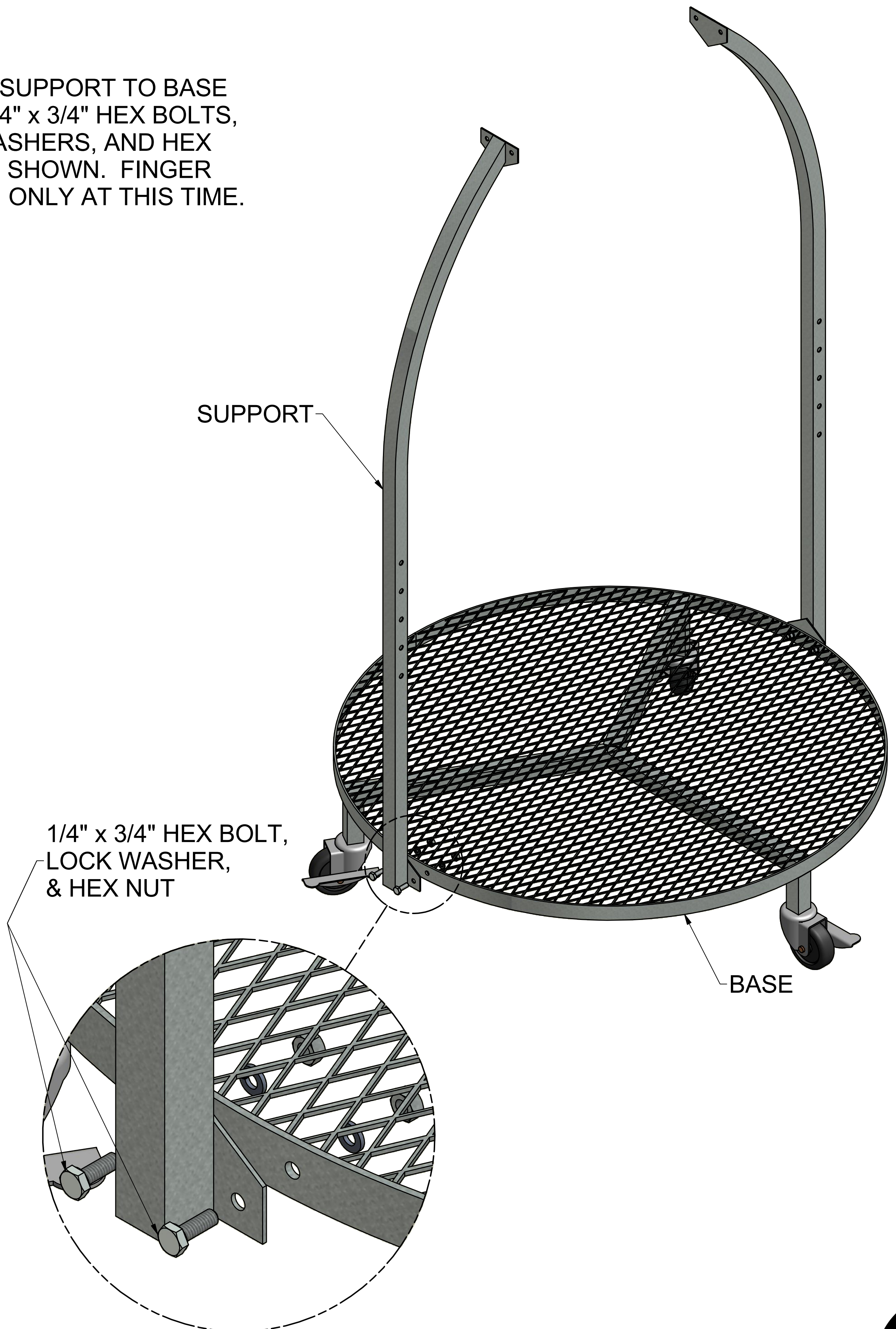


TOOLS & EQUIPMENT REQUIRED

(2) 7/16" WRENCHES

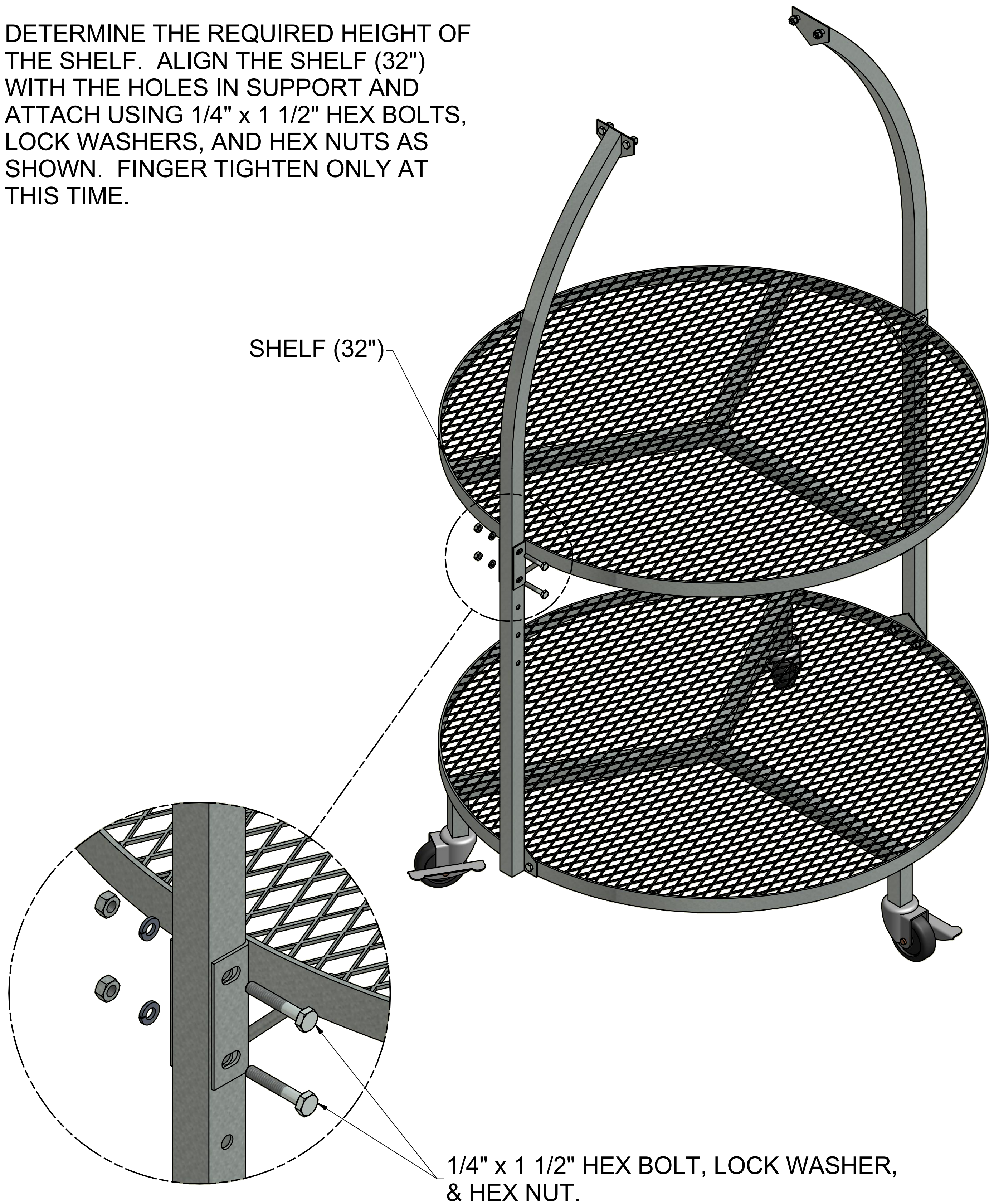
ASSEMBLY INSTRUCTIONS

ATTACH SUPPORT TO BASE USING 1/4" x 3/4" HEX BOLTS, LOCK WASHERS, AND HEX NUTS AS SHOWN. FINGER TIGHTEN ONLY AT THIS TIME.



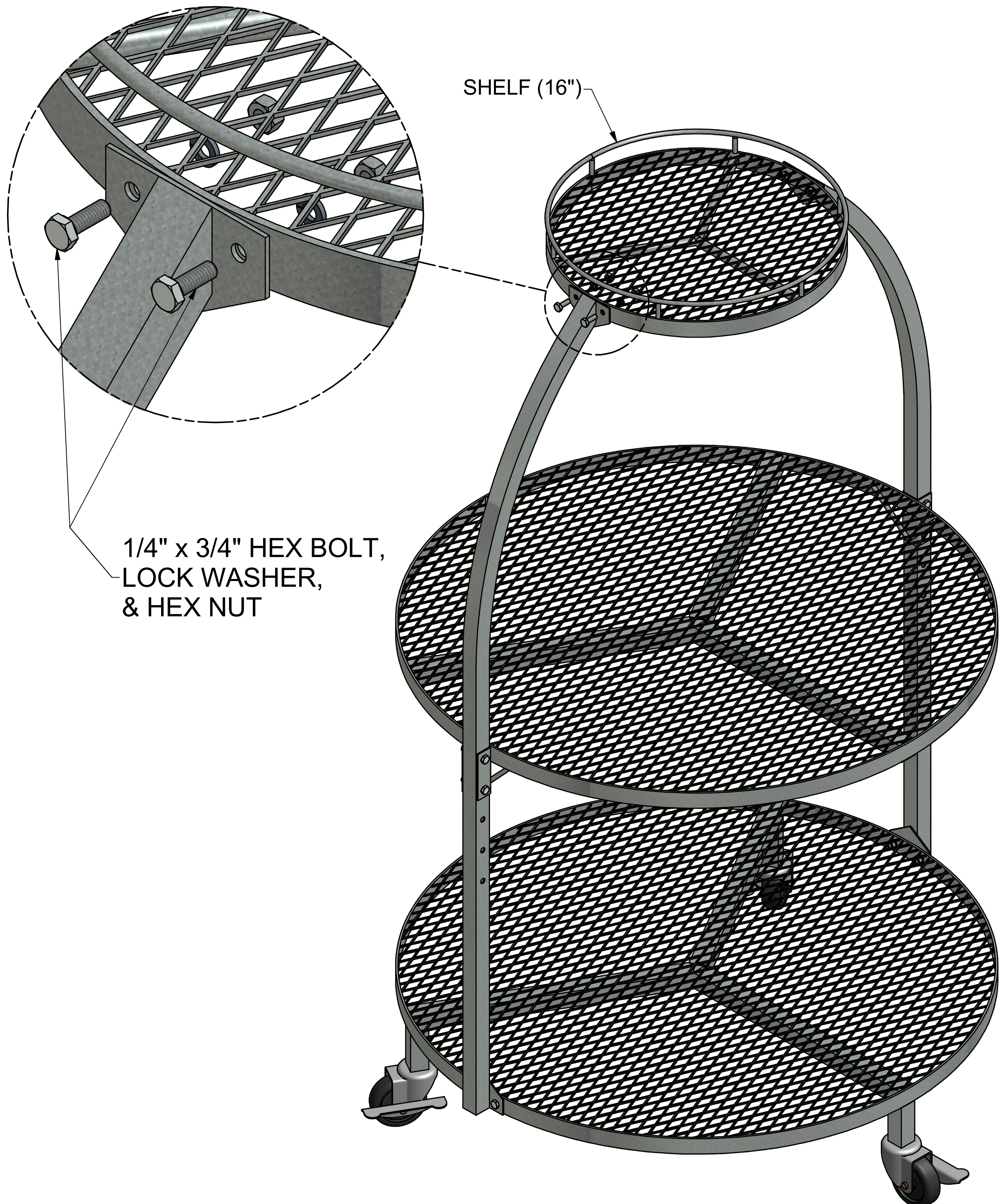
ASSEMBLY INSTRUCTIONS

DETERMINE THE REQUIRED HEIGHT OF THE SHELF. ALIGN THE SHELF (32") WITH THE HOLES IN SUPPORT AND ATTACH USING 1/4" x 1 1/2" HEX BOLTS, LOCK WASHERS, AND HEX NUTS AS SHOWN. FINGER TIGHTEN ONLY AT THIS TIME.



ASSEMBLY INSTRUCTIONS

POSITION SHELF (16") BETWEEN TOP OF SUPPORTS AND ATTACH USING 1/4" x 3/4" HEX BOLTS, LOCK WASHERS, AND HEX NUTS AS SHOWN. STRAIGHTEN DISPLAY AND TIGHTEN BOLTS SECURELY.



SAFETY GUIDELINES

Do not climb, sit on, or use this product as a ladder. Injuries may occur.

Do not place or install electrical items on this product. Wet conditions are typical and electrical shock may occur.

Do not place this product on a slope that exceeds 3 degrees.

Do not move this display after product is in place. Damage to display and injuries may occur.

Lock casters (when provided) once display is in place to prevent movement.

Remove all debris or obstacles from caster's path before moving.

CARE & MAINTENANCE

To remove loose soil and debris, simply spray the soiled areas with water from a garden hose.

Prior to storage, all surfaces of this product should be sprayed down with water and allowed to dry completely.

Limited Warranty

Poly-Tex, Inc. warrants its products to be free from defects in material and workmanship for a period of (1) year from date of invoice. This warranty is provided to the original purchaser of the product and is not transferable. Poly-Tex does not warrant parts not manufactured by Poly-Tex, but does assign any transferable manufacturer or supplier warranties. Should any defect be found, full repair or replacement will be rendered to the customer at no cost following inspection by a Poly-Tex representative and the return of the defective product to our Castle Rock, MN factory. Expenses for removal or reinstallation of defective products will not be covered by the warranty.

POLY-TEX SHALL NOT BE HELD RESPONSIBLE FOR ANY SPECIAL OR CONSEQUENTIAL DAMAGES, OR FOR ANY DELAY IN PERFORMANCE OF THIS WARRANTY BEYOND OUR CONTROL. THIS WARRANTY IS EXCLUSIVE AND IN LIEU OF ALL OTHER WARRANTIES WHETHER IMPLIED, WRITTEN OR ORAL INCLUDING THE WARRANTIES OF MERCHANTABILITY AND FITNESS FOR A PARTICULAR PURPOSE.

This warranty does not cover damage from customer abuse, misuse, improper installation, customer modifications, customer negligence in performing normal maintenance, damage resulting from acts of nature.

Contact information
Poly-Tex, Inc. PO Box 458
27725 Danville Ave Castle Rock, MN 55010
Toll free (800) 852-3443 Fax (651) 463-2479
www.poly-tex.com