

Assembly Instructions



IMPORTANT

Please read these instructions carefully before beginning to assemble this display.
Save instructions for future reference.

- Page 2 - LIMITED WARRANTY
- Page 2 - SAFETY GUIDELINES
- Page 3 - BILL OF MATERIALS (EZ3006)
- Page 4 - BILL OF MATERIALS (EZ3012)
- Page 5 - BILL OF MATERIALS (EZ3018)
- Page 6 - BILL OF MATERIALS (EZ3024)
- Page 7 - FRAME LAYOUTS
- Page 8 - DOOR FRAME (EZ2001) ASSEMBLY
- Page 9 - DOOR FRAME (EZ2001) ASSEMBLY
- Page 10 - INTERIOR FRAME (EZ2003) ASSEMBLY
- Page 11 - END FRAME (EZ2002) ASSEMBLY
- Page 12 - END FRAME (EZ2002) ASSEMBLY
- Page 13 - CONNECTING THE FRAMES
- Page 14 - CONNECTING THE FRAMES
- Page 15 - CONNECTING THE FRAMES
- Page 16 - SLIDE SIDE INSTALLATION
- Page 17 - SLIDE SIDE INSTALLATION
- Page 18 - SLIDE SIDE INSTALLATION
- Page 19 - BENCH TOP INSTALLATION
- Page 20 - END FRAME POLY INSTALLATION
- Page 21 - ROOF POLY INSTALLATION
- Page 22 - LEVELING THE DOOR HEADER

Revision: AB-200327

LIMITED WARRANTY

Limited Warranty

Poly-Tex, Inc. warrants its products to be free from defects in material and workmanship for a period of (1) year from date of invoice. This warranty is provided to the original purchaser of the product and is not transferable. Poly-Tex does not warrant parts not manufactured by Poly-Tex, but does assign any transferable manufacturer or supplier warranties. Should any defect be found, full repair or replacement will be rendered to the customer at no cost following inspection by a Poly-Tex representative and the return of the defective product to our Castle Rock, MN facility. Expenses for removal or reinstallation of defective products will not be covered by the warranty.

Non-code compliance or non-engineered structures purchased by our customers are done so at the customer's own risk. Customers shall indemnify Poly-Tex from any liabilities or cost for structural failure or any legal action taken by governing agencies against purchases of non-code compliance structures.

Purchaser will indemnify and hold Poly-Tex and its officers and agents harmless (to the extent provided by law) from and against all loss, liability, cost, damage or expense incident to any claim, action or proceeding against Poly-Tex arising out of the installation, maintenance, use or operation of the products by purchaser.

POLY-TEX SHALL NOT BE HELD RESPONSIBLE FOR ANY SPECIAL OR CONSEQUENTIAL DAMAGES, OR FOR ANY DELAY IN PERFORMANCE OF THIS WARRANTY BEYOND OUR CONTROL. THIS WARRANTY IS EXCLUSIVE AND IN LIEU OF ALL OTHER WARRANTIES WHETHER IMPLIED, WRITTEN OR ORAL INCLUDING THE WARRANTIES OF MERCHANTABILITY AND FITNESS FOR A PARTICULAR PURPOSE.

This warranty does not cover damage from customer abuse, misuse, improper installation, customer modifications, customer negligence in performing normal maintenance or damage resulting from acts of nature.

SAFETY GUIDELINES

PLEASE READ THE INSTALLATION INSTRUCTIONS CAREFULLY BEFORE BEGINNING TO ASSEMBLE THE STRUCTURE. SAVE THESE INSTRUCTIONS FOR FUTURE REFERENCE.



This structure is intended to be self-supporting, provided it is constructed with all frames, hardware, sheathing, sheeting, bracing, cables, and membrane in place, and secured to the foundation as shown in the manual. Stability during construction, from winds and loads imposed during erection, is the sole responsibility of the installer. Observe safety codes required by your jurisdiction, and relevant safety practices for working at heights. Avoid the risk of electrical shock from overhead lines or electrical storms. Poly-Tex recommends contracting a licensed electrician to perform electrical work. Eye protection is recommended under all circumstances and hearing protection is recommended when cutting components with power tools.

Foundations

These instructions include minimum guidance for foundations based on the International Building Code. These minimums are suitable for some areas of the country but not all. Obtain a building permit if required in the local jurisdiction. Engineered and Certified foundation plans may be required by a building official before issuing a permit. Even if not required, seeking guidance from a qualified structural or civil engineer for the foundation design may improve the life of the structure.



No part of this structure is engineered to function as an anchorage point for a fall arrest system. Use a safety net or work from a safe work platform (i.e. scaffolding). Select a calm day for work. Wind can be sufficient enough to knock materials or workers off a work platform or ladder, resulting in a potentially deadly fall.

Overview of assembly procedure

While each structure and site is unique, and may require special considerations, these instructions are for a tilt-up method (where frames are assembled on the ground and tilted onto ground stakes or anchor rods using ropes or lifts). If installer is not confident to erect the structure, Poly-Tex suggests hiring a general contractor, carpenter, or similar licensed business familiar with construction, to assemble and erect the structure.

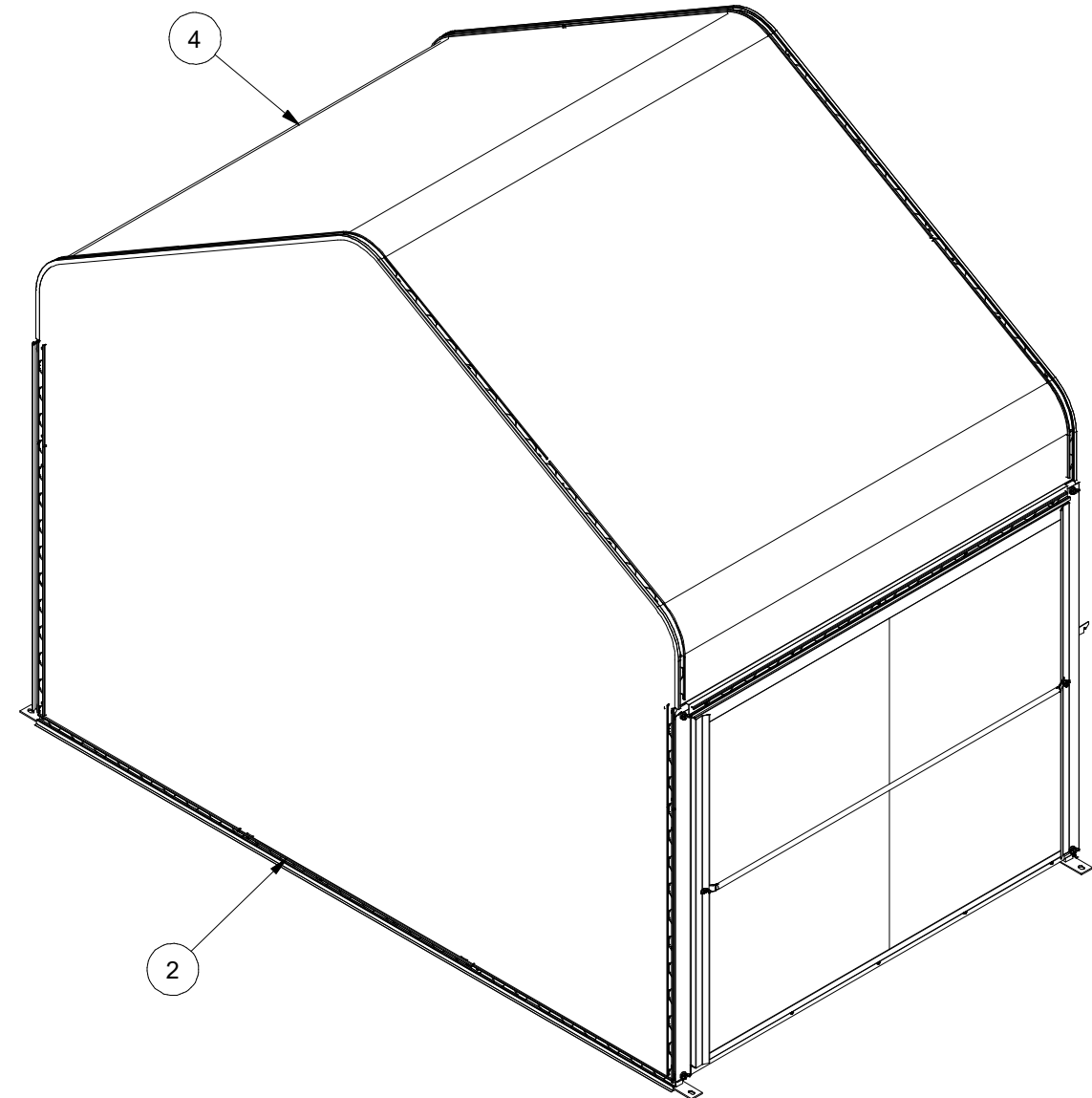
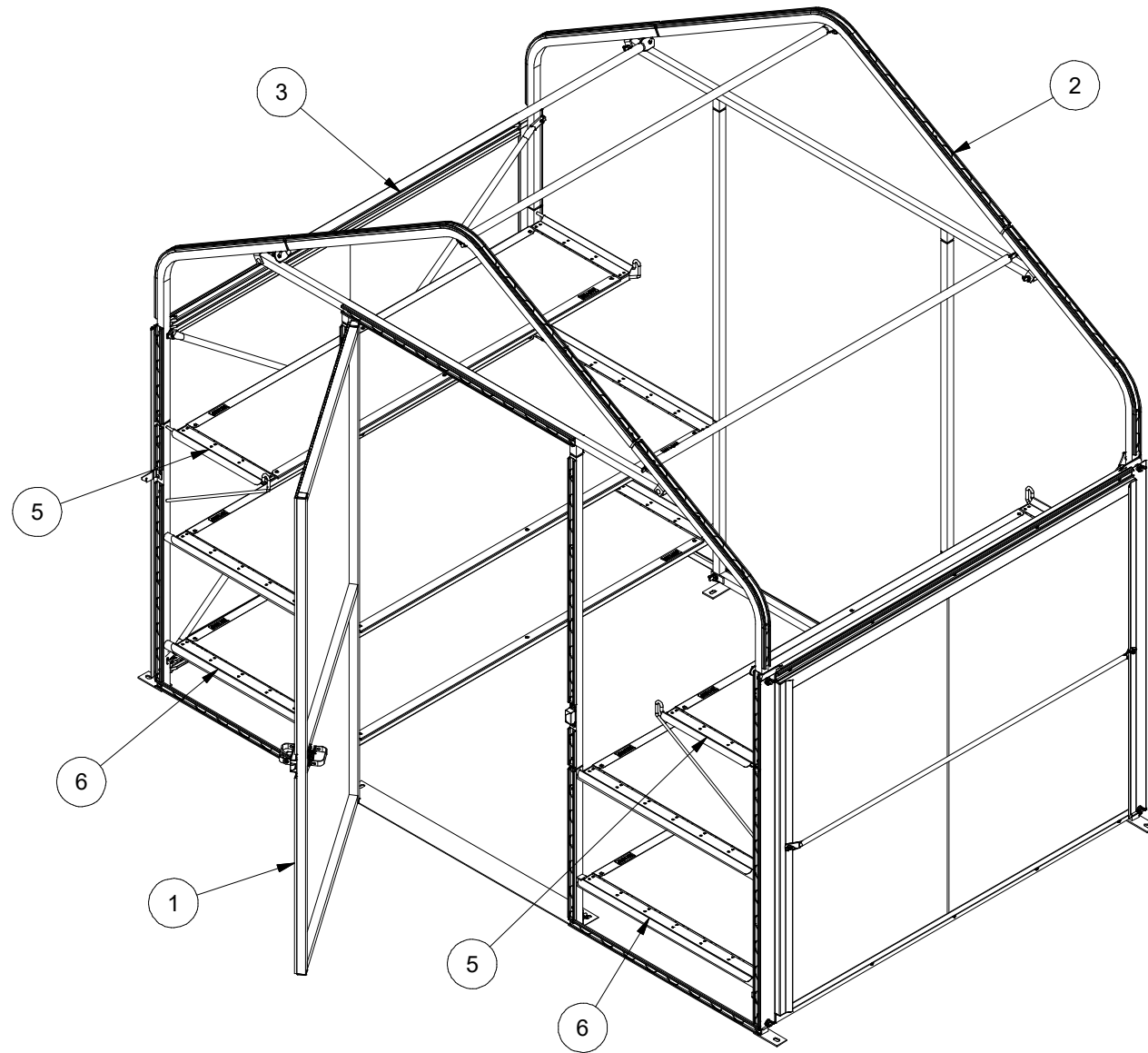


Do not overload structure. Consult with a Poly-Tex representative prior to adding any amount of weight over the specified capacity of this structure. Basket purlins, shelving or any objects of significant weight shall not be hung, attached, or secured to roof or truss members in a manner that will overload the structure.



Do not walk on polycarbonate sheets. If structure is to be covered with polycarbonate sheets, always use scaffolding for the erection process to avoid damage to sheathing and to ensure safety. Polycarbonate sheeting has UV coating protected with vinyl film on the exterior surface. Install sheets with the film intact and toward the exterior. Remove film once the sheet has been fastened in place.

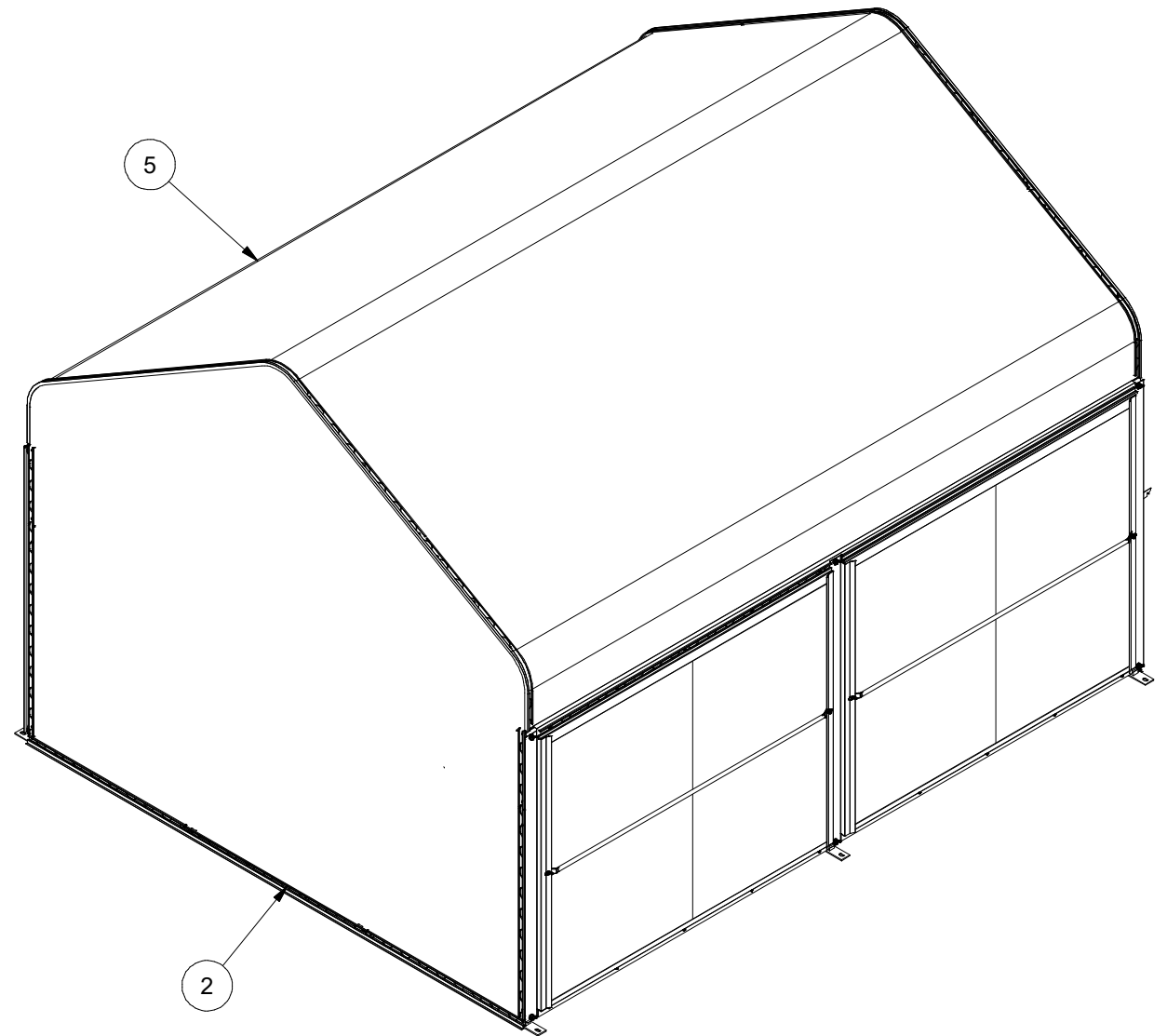
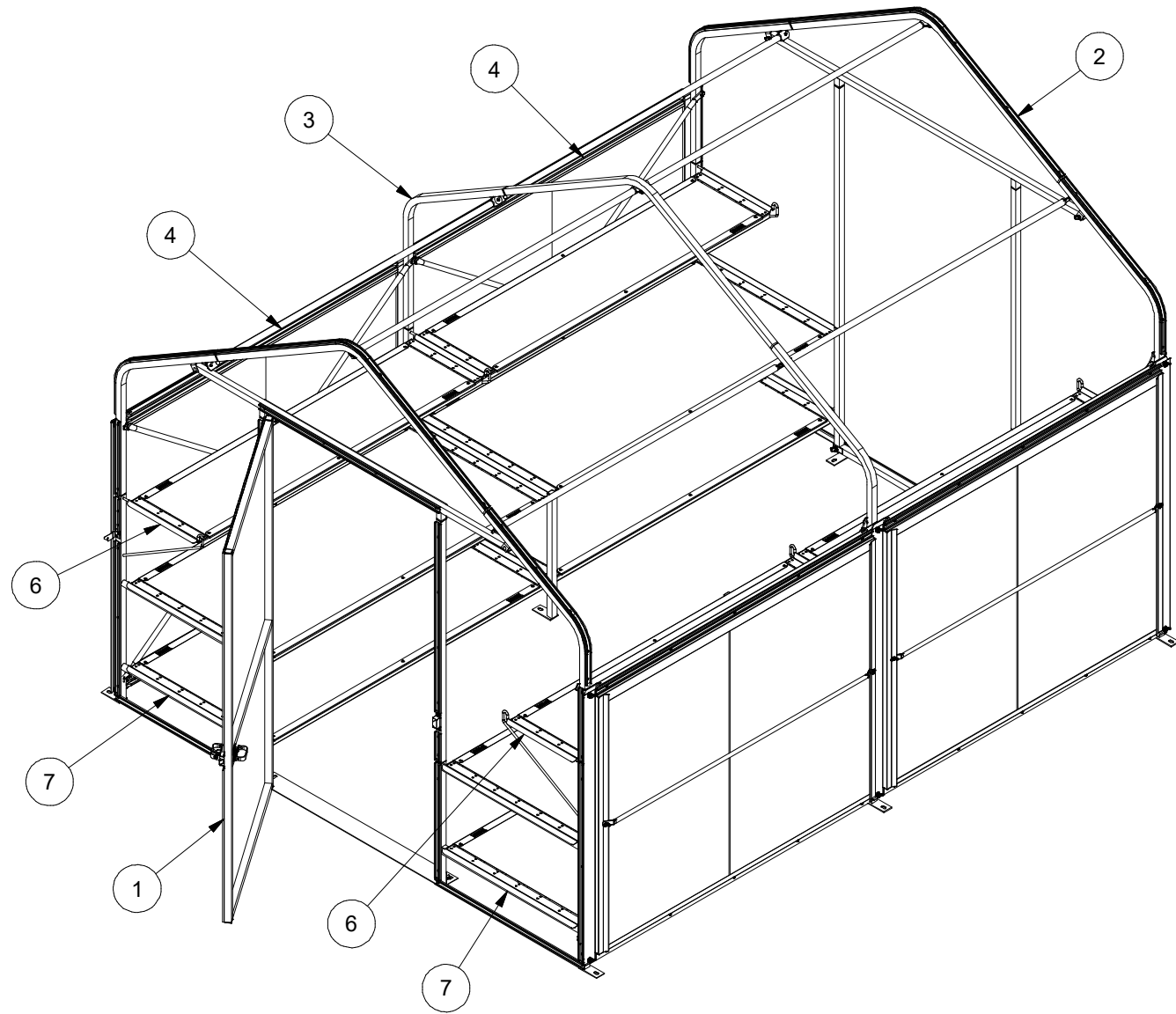
BILL OF MATERIALS (EZ3006)



EZ3006 - EZ-MART 10 x 6 w/ WHITE ROOF, CLEAR ENDS, ONE DOOR

BILL OF MATERIALS			
ID	QTY	ITEM CODE	DESCRIPTION
1	1	EZ2001	END PKG, DOOR, EZ
2	1	EZ2002	END PKG, NO DOOR, EZ
3	1	EZ2004	FRAME CONNECTOR PKG, EZ
4	1	EZ2005	COVER PKG, EZ
5	1	EZ2006	BENCH PKG, UPPER, EZ
6	1	EZ2007	BENCH PKG, LOWER, EZ

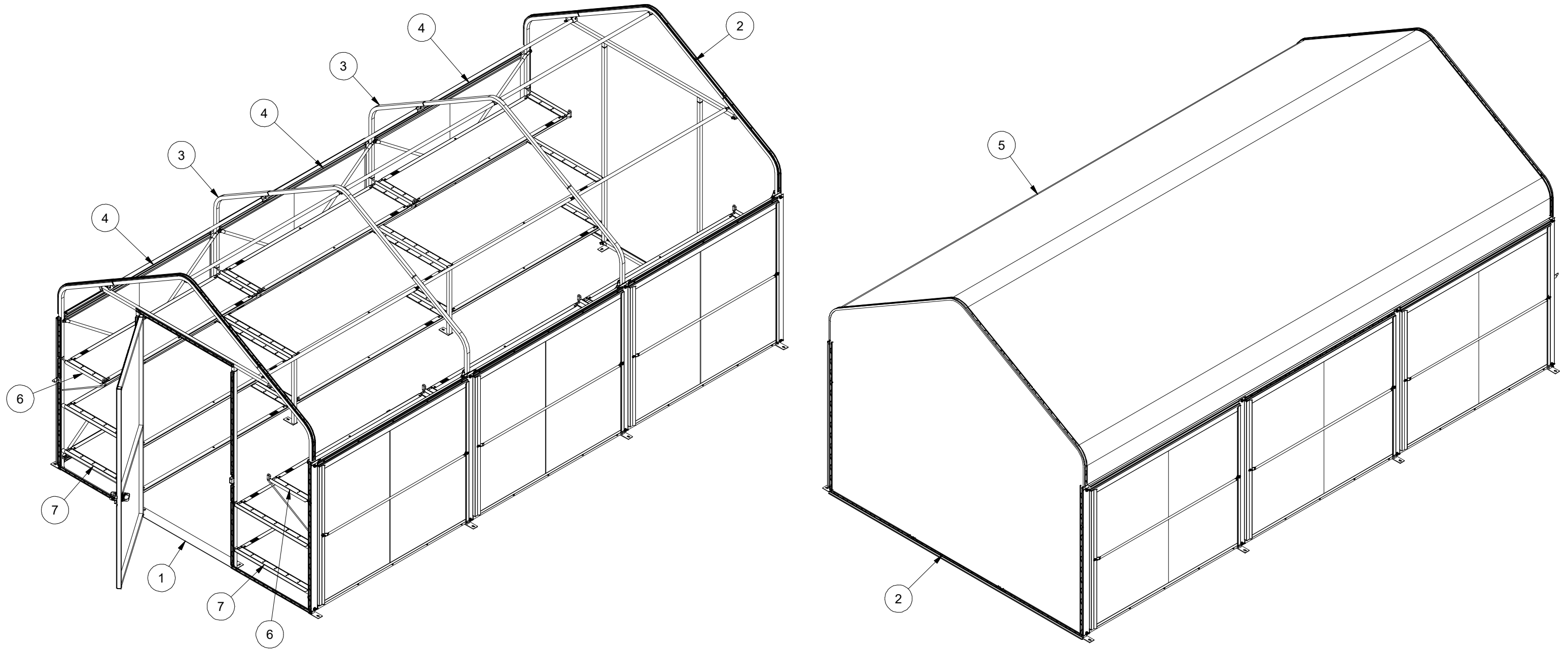
BILL OF MATERIALS (EZ3012)



EZ3012 - EZ-MART 10 x 12 w/ WHITE ROOF, CLEAR ENDS, ONE DOOR

BILL OF MATERIALS			
ID	QTY	ITEM CODE	DESCRIPTION
1	1	EZ2001	END PKG, DOOR, EZ
2	1	EZ2002	END PKG, NO DOOR, EZ
3	1	EZ2003	INTERIOR FRAME PKG, EZ
4	2	EZ2004	FRAME CONNECTOR PKG, EZ
5	1	EZ2005	COVER PKG, EZ
6	2	EZ2006	BENCH PKG, UPPER, EZ
7	2	EZ2007	BENCH PKG, LOWER, EZ

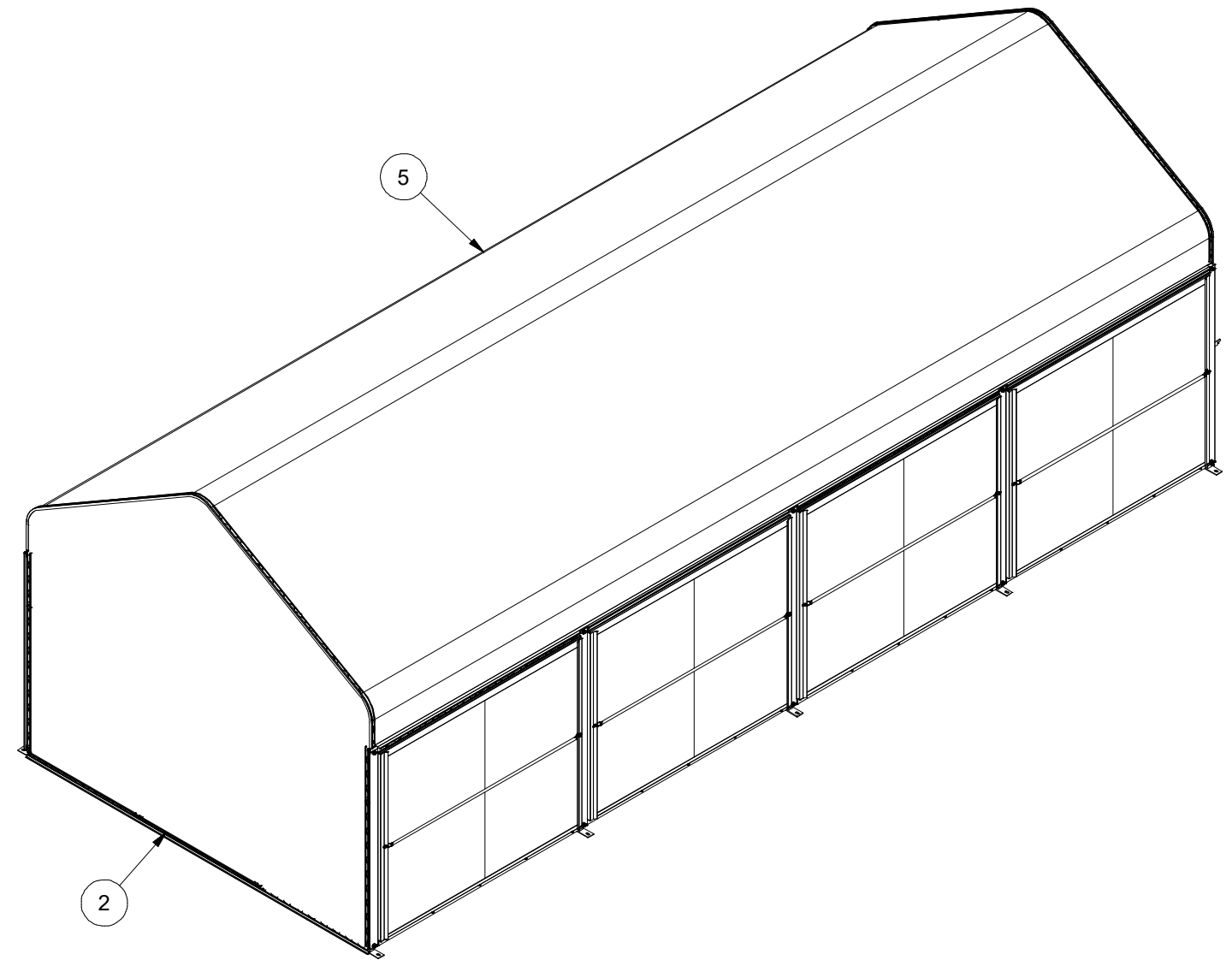
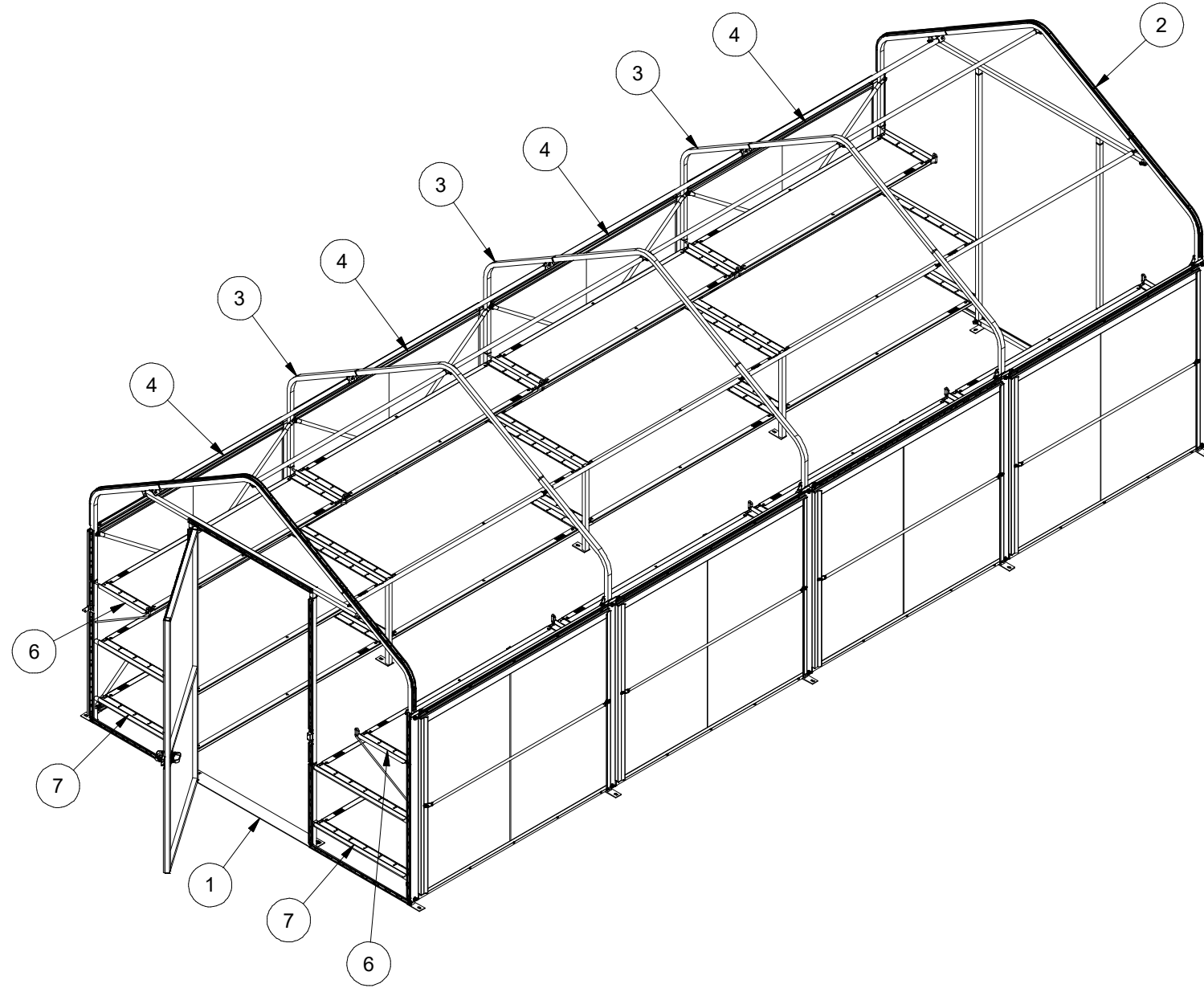
BILL OF MATERIALS (EZ3018)



EZ3018 - EZ-MART 10 x 18 w/ WHITE ROOF, CLEAR ENDS, ONE DOOR

BILL OF MATERIALS			
ID	QTY	ITEM CODE	DESCRIPTION
1	1	EZ2001	END PKG, DOOR, EZ
2	1	EZ2002	END PKG, NO DOOR, EZ
3	2	EZ2003	INTERIOR FRAME PKG, EZ
4	3	EZ2004	FRAME CONNECTOR PKG, EZ
5	1	EZ2005	COVER PKG, EZ
6	3	EZ2006	BENCH PKG, UPPER, EZ
7	3	EZ2007	BENCH PKG, LOWER, EZ

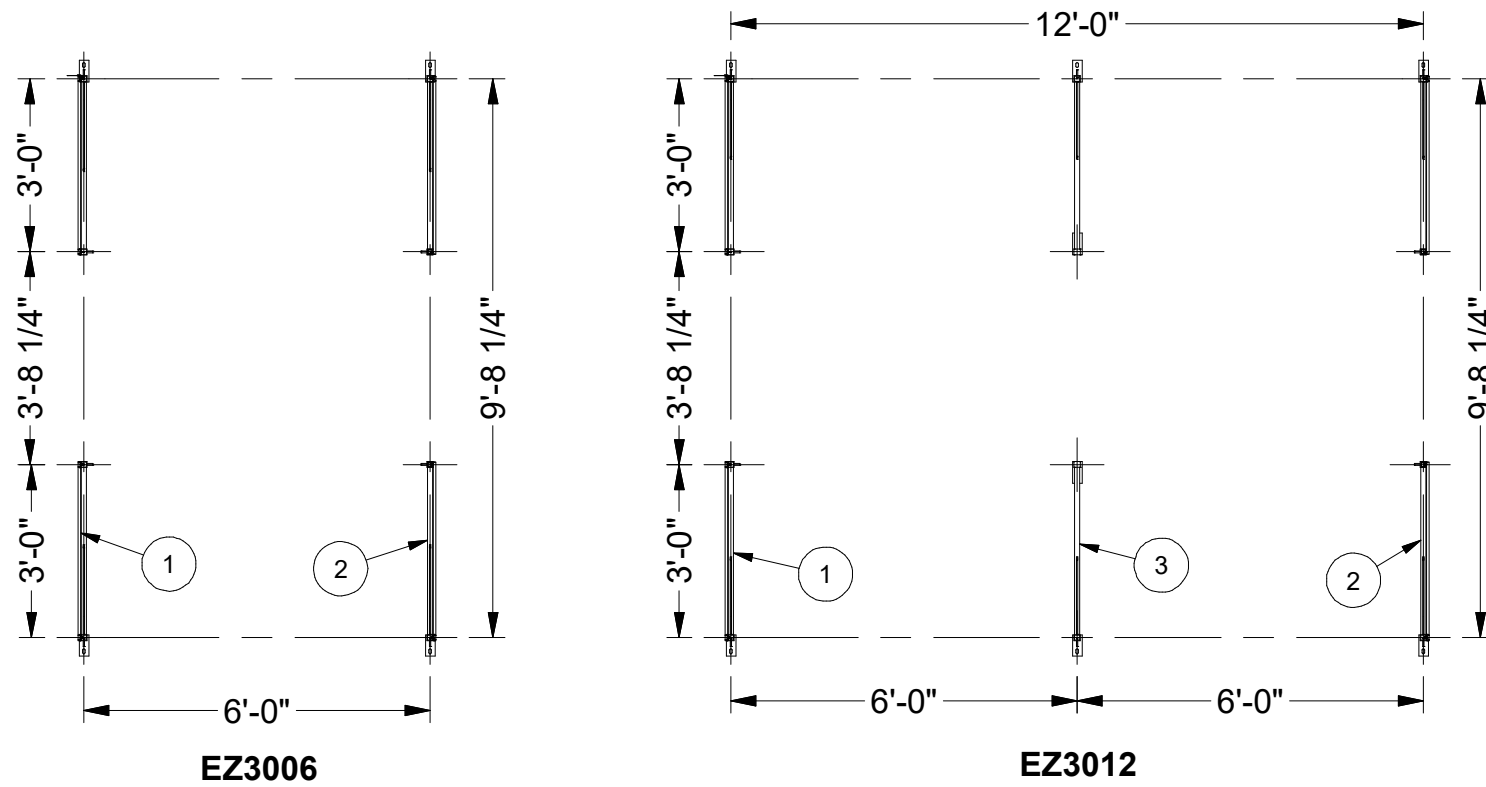
BILL OF MATERIALS (EZ3024)



EZ3024 - EZ-MART 10 x 24 w/ WHITE ROOF, CLEAR ENDS, ONE DOOR

BILL OF MATERIALS			
ID	QTY	ITEM CODE	DESCRIPTION
1	1	EZ2001	END PKG, DOOR, EZ
2	1	EZ2002	END PKG, NO DOOR, EZ
3	3	EZ2003	INTERIOR FRAME PKG, EZ
4	4	EZ2004	FRAME CONNECTOR PKG, EZ
5	1	EZ2005	COVER PKG, EZ
6	4	EZ2006	BENCH PKG, UPPER, EZ
7	4	EZ2007	BENCH PKG, LOWER, EZ

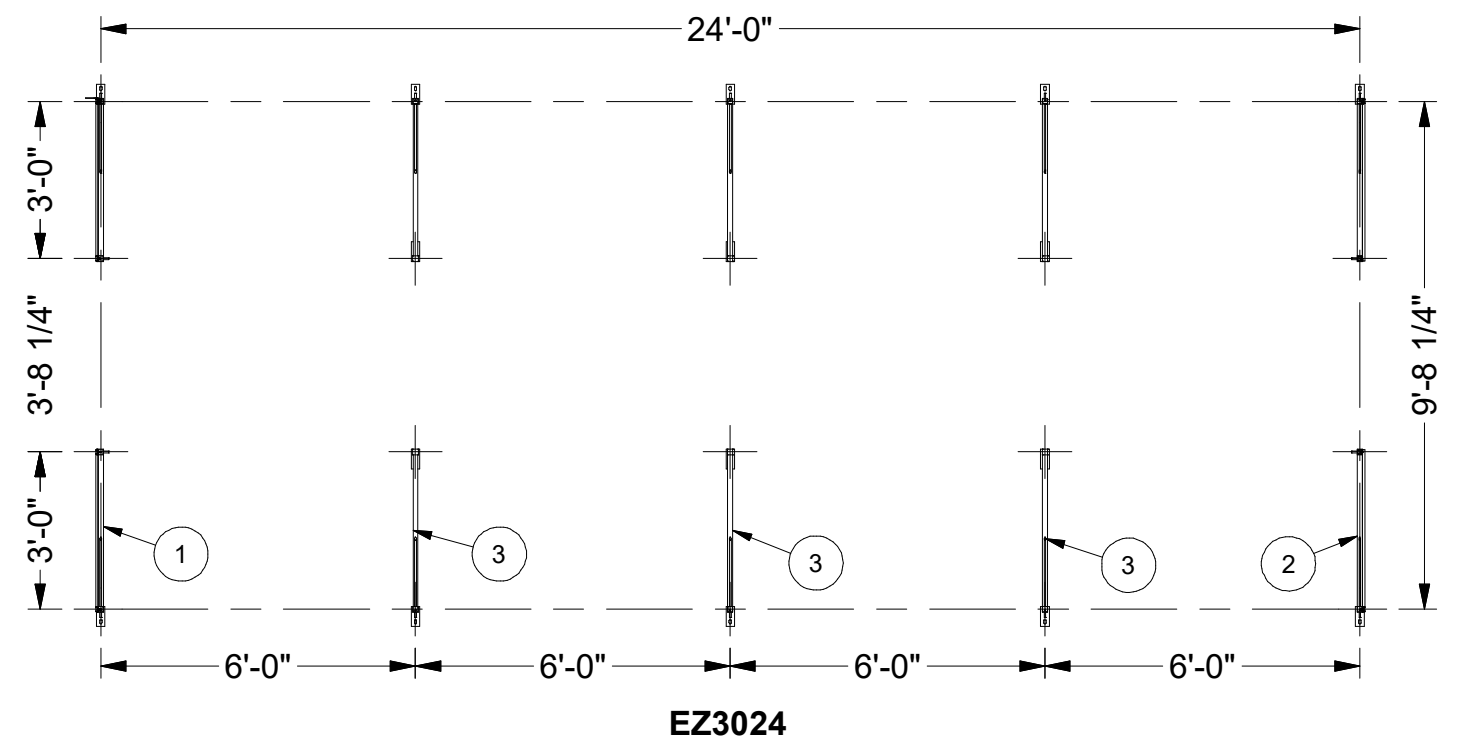
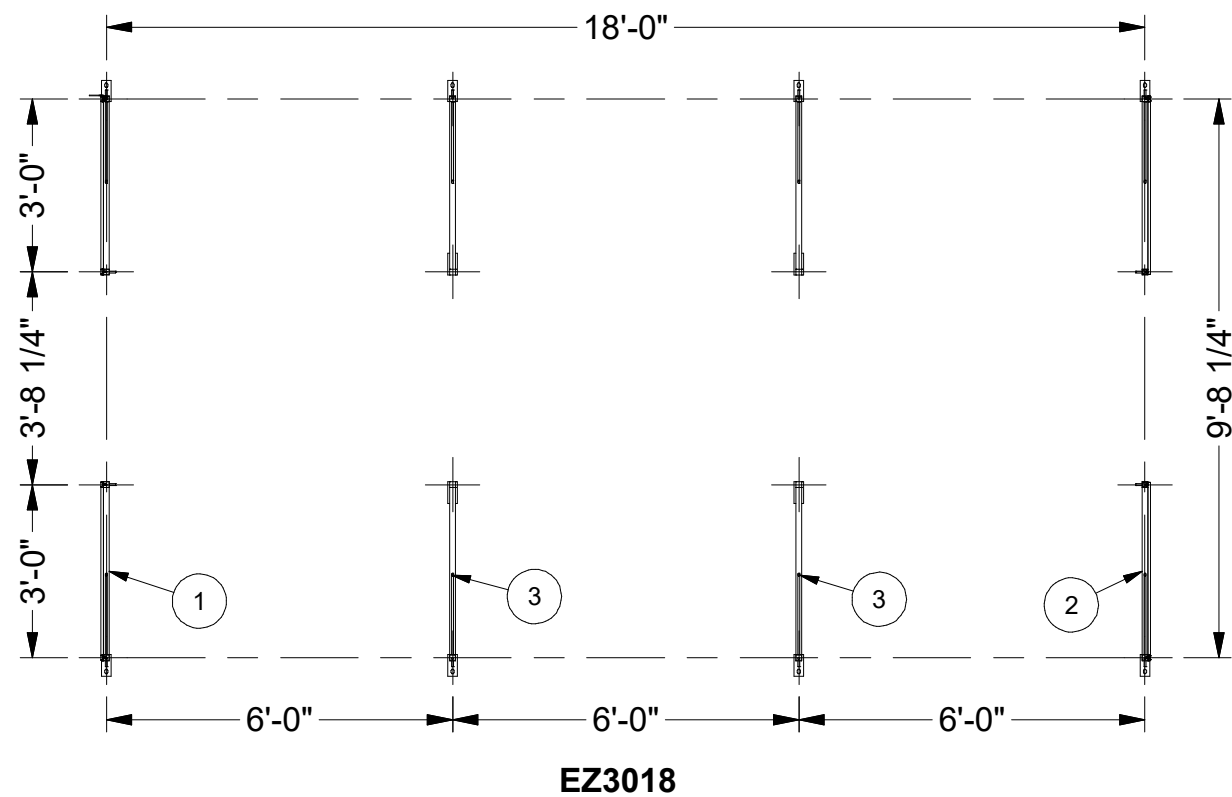
FRAME LAYOUTS



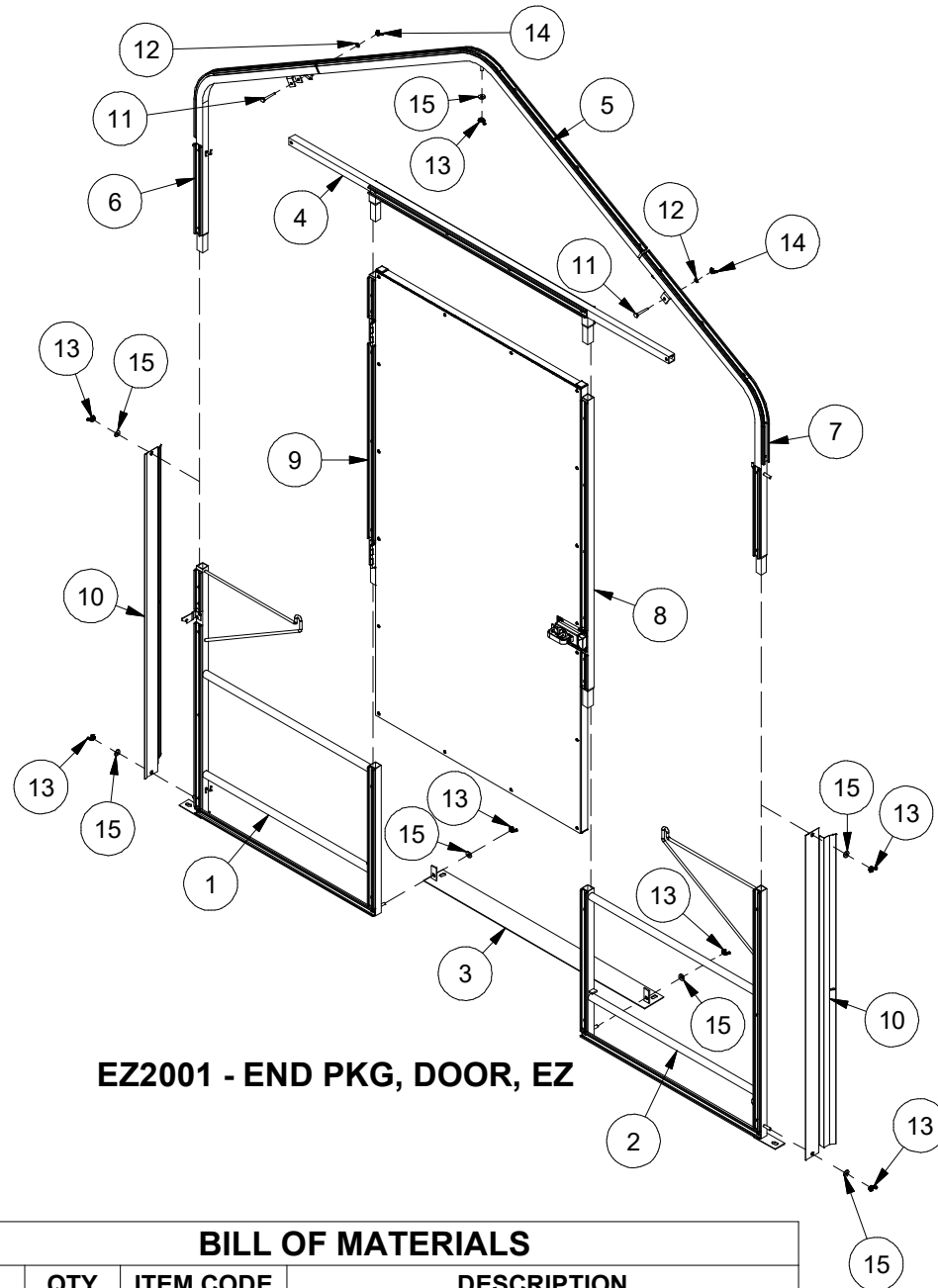
1. Prepare for assembly of this product by gathering the following tools: step ladder, rubber mallet, wire cutters, safety glasses, and gloves.
2. Determine the structure model which you have purchased and refer to the overview on one of the pages 5 - 8.
3. Open the packaging and sort components by the bill of materials for each of the packages EZ2001 - EZ2007. Refer to the bills of materials on pages 5 - 8, as some models do not need all the packages.
4. Do not place this structure on a slope that exceeds 3 degrees of slope without blocking the frames to be within this slope.

NOTE:

1. ALL DIMENSIONS ARE FROM CENTER OF SQ. TUBE TO CENTER OF SQ. TUBE.



DOOR FRAME (EZ2001) ASSEMBLY

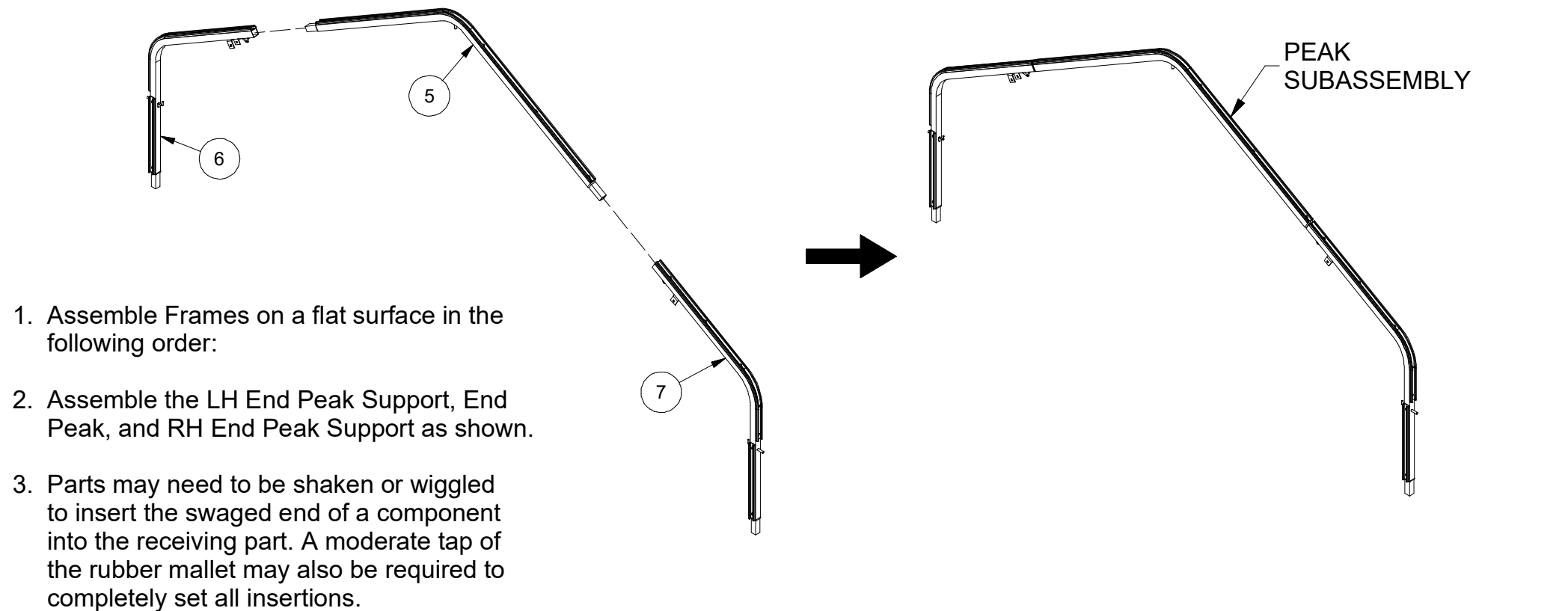


EZ2001 - END PKG, DOOR, EZ

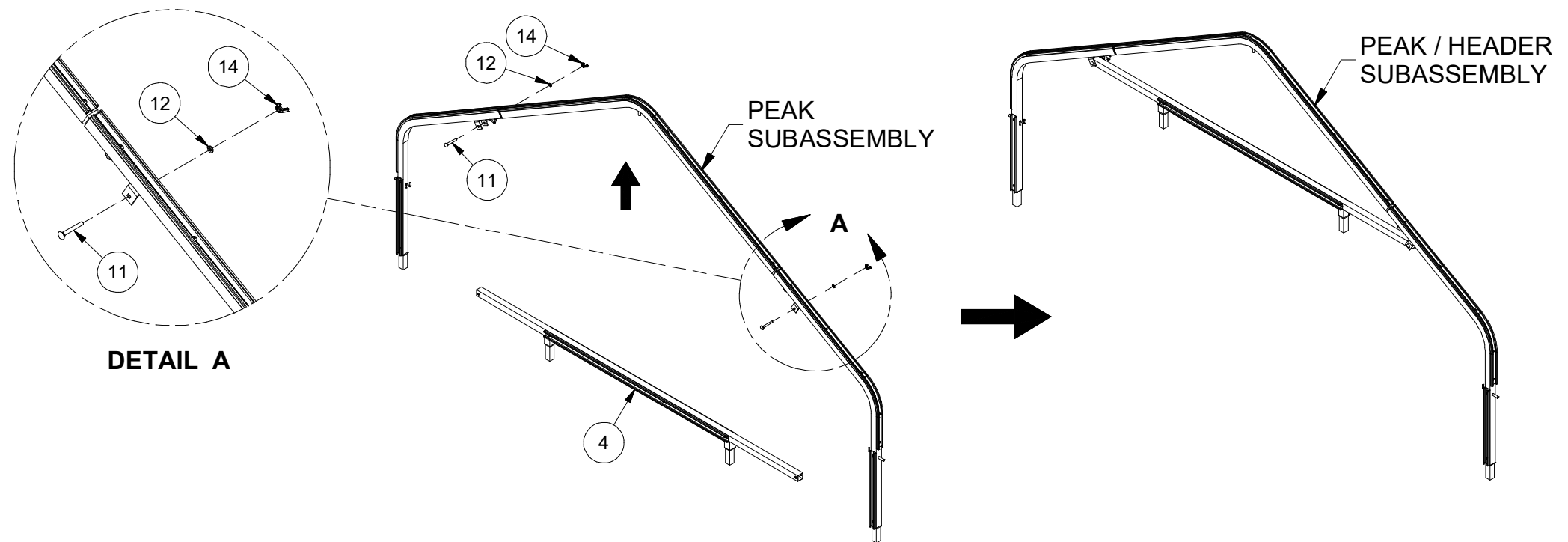
BILL OF MATERIALS

ID	QTY	ITEM CODE	DESCRIPTION
1	1	EZ1003	BENCH FRAME, DOOR END, LH
2	1	EZ1005	BENCH FRAME, DOOR END, RH
3	1	EZ1107	THRESHOLD, DOOR
4	1	EZ1110	HEADER, DOOR
5	1	EZ1124	PEAK, END
6	1	EZ1126	PEAK SUPPORT, END, LH
7	1	EZ1128	PEAK SUPPORT, END, RH
8	1	EZ1131	JAMB, DOOR, LATCH SIDE
9	1	EZ1138	DOOR, PREHUNG, 42.75 x 80, LHR
10	2	GMSA51	END CAP, GM2000
11	2	NB1816	CARRIAGE BOLT, 5/16"x2-1/2", G5
12	2	NB1862	WASHER, LOCK, 5/16" ZP
13	7	NB1901	WING NUT, 3/8" ZP
14	2	NB1903	WING NUT, 5/16" ZP
15	7	NB1923	WASHER, FLAT, NYLON

REV: AB-200327

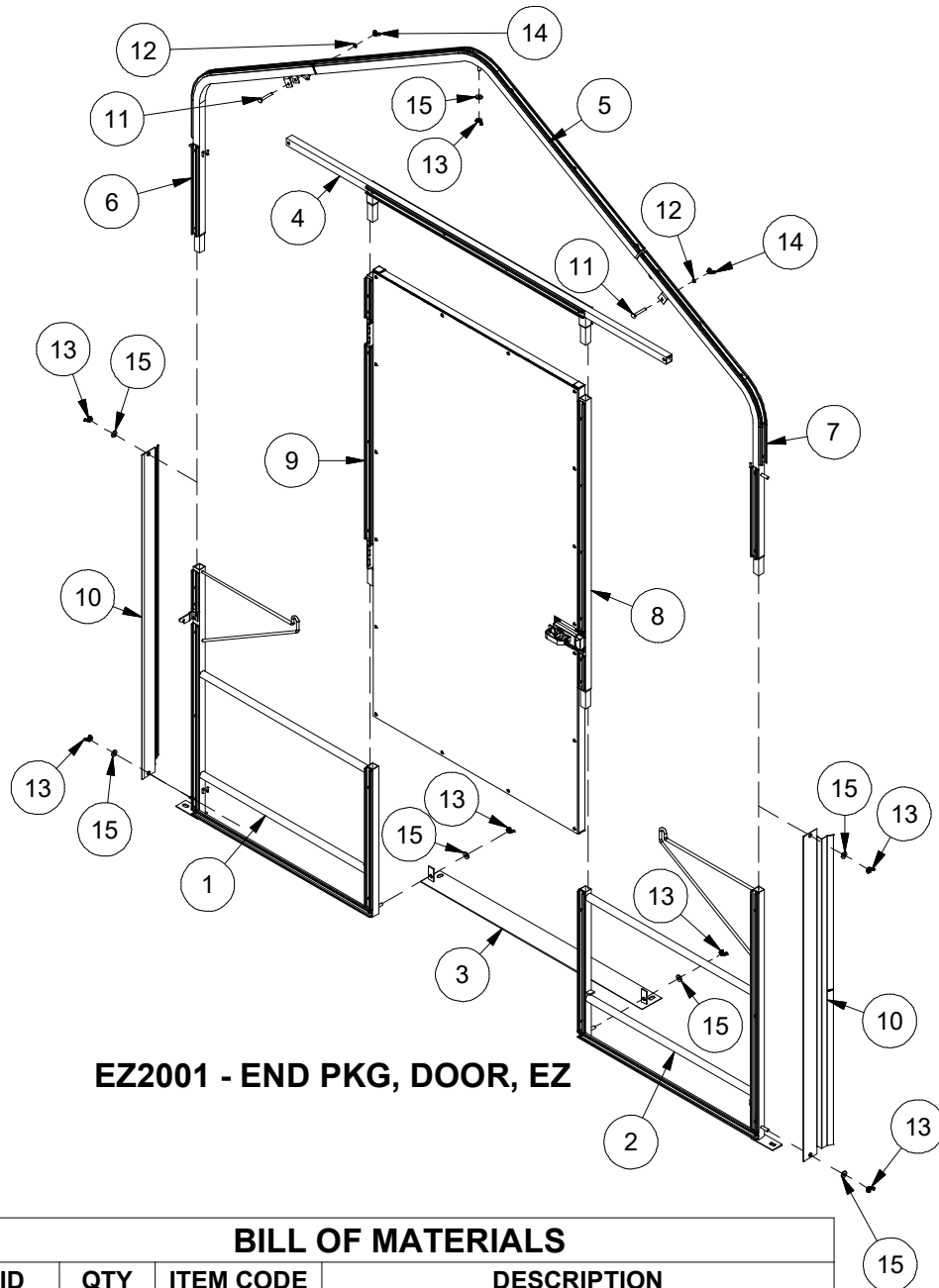


1. Assemble Frames on a flat surface in the following order:
2. Assemble the LH End Peak Support, End Peak, and RH End Peak Support as shown.
3. Parts may need to be shaken or wiggled to insert the swaged end of a component into the receiving part. A moderate tap of the rubber mallet may also be required to completely set all insertions.



4. Position the peak subassembly, so that the wiggle wire base is facing up.
5. Attach the Header to the peak subassembly using (2) 5/16" carriage bolts, (2) 5/16" lock washers, and (2) 5/16" wing nuts.

DOOR FRAME (EZ2001) ASSEMBLY

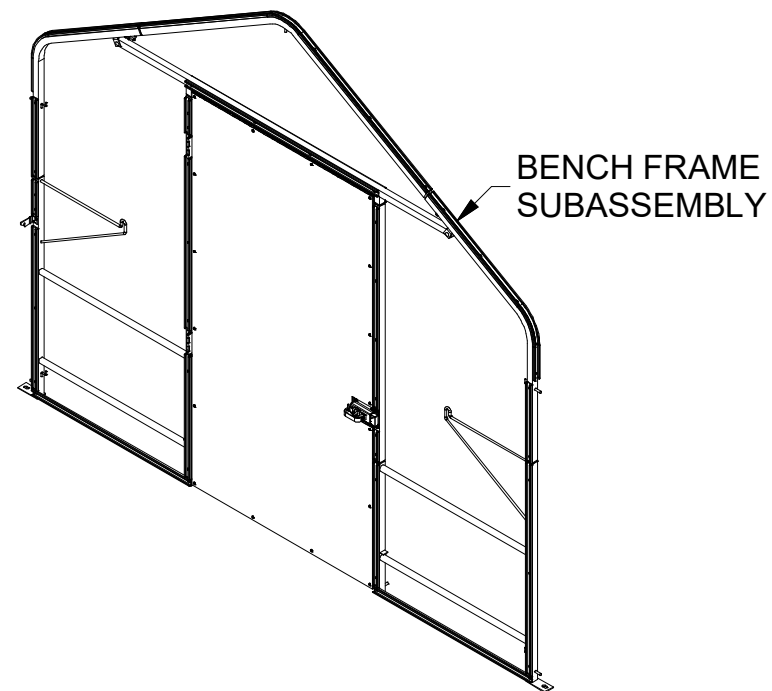
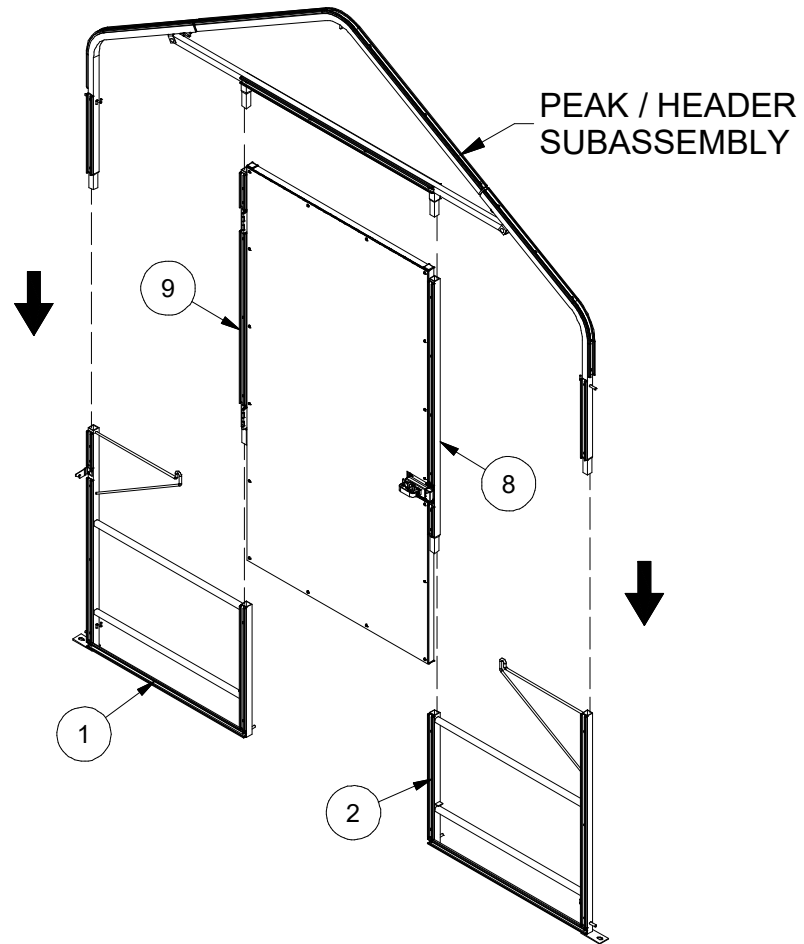


EZ2001 - END PKG, DOOR, EZ

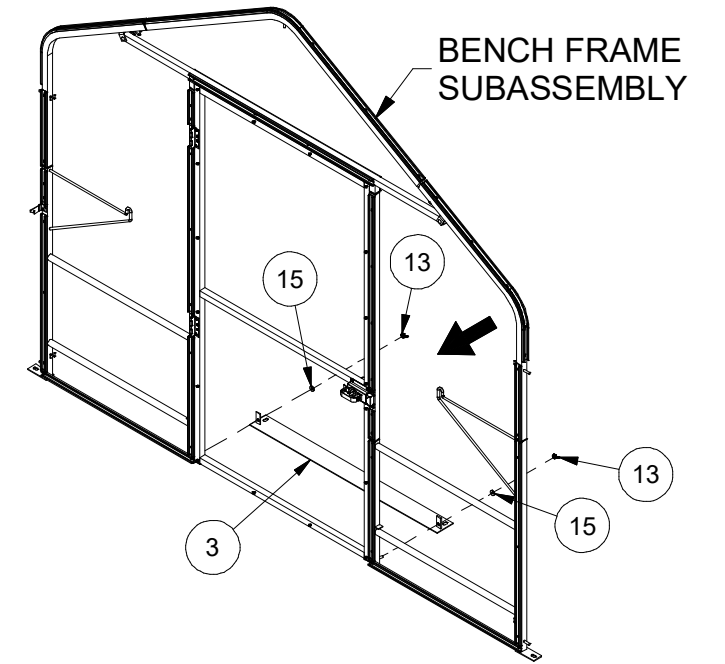
BILL OF MATERIALS

ID	QTY	ITEM CODE	DESCRIPTION
1	1	EZ1003	BENCH FRAME, DOOR END, LH
2	1	EZ1005	BENCH FRAME, DOOR END, RH
3	1	EZ1107	THRESHOLD, DOOR
4	1	EZ1110	HEADER, DOOR
5	1	EZ1124	PEAK, END
6	1	EZ1126	PEAK SUPPORT, END, LH
7	1	EZ1128	PEAK SUPPORT, END, RH
8	1	EZ1131	JAMB, DOOR, LATCH SIDE
9	1	EZ1138	DOOR, PREHUNG, 42.75 x 80, LHR
10	2	GMSA51	END CAP, GM2000
11	2	NB1816	CARRIAGE BOLT, 5/16"x2-1/2", G5
12	2	NB1862	WASHER, LOCK, 5/16" ZP
13	7	NB1901	WING NUT, 3/8" ZP
14	2	NB1903	WING NUT, 5/16" ZP
15	7	NB1923	WASHER, FLAT, NYLON

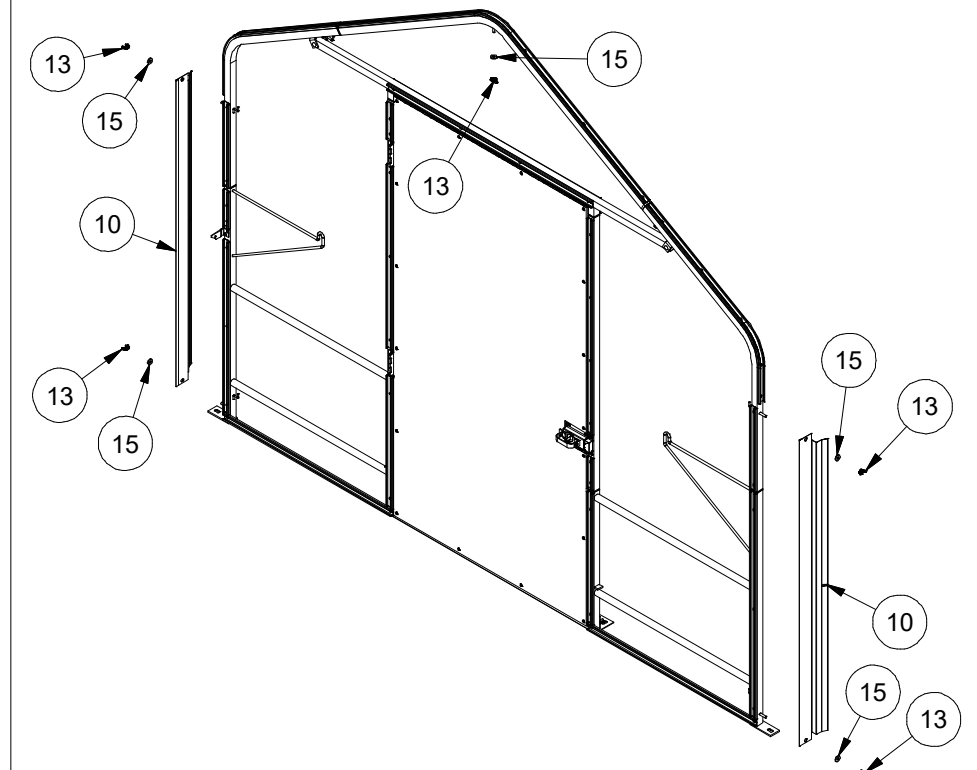
REV: AB-200327



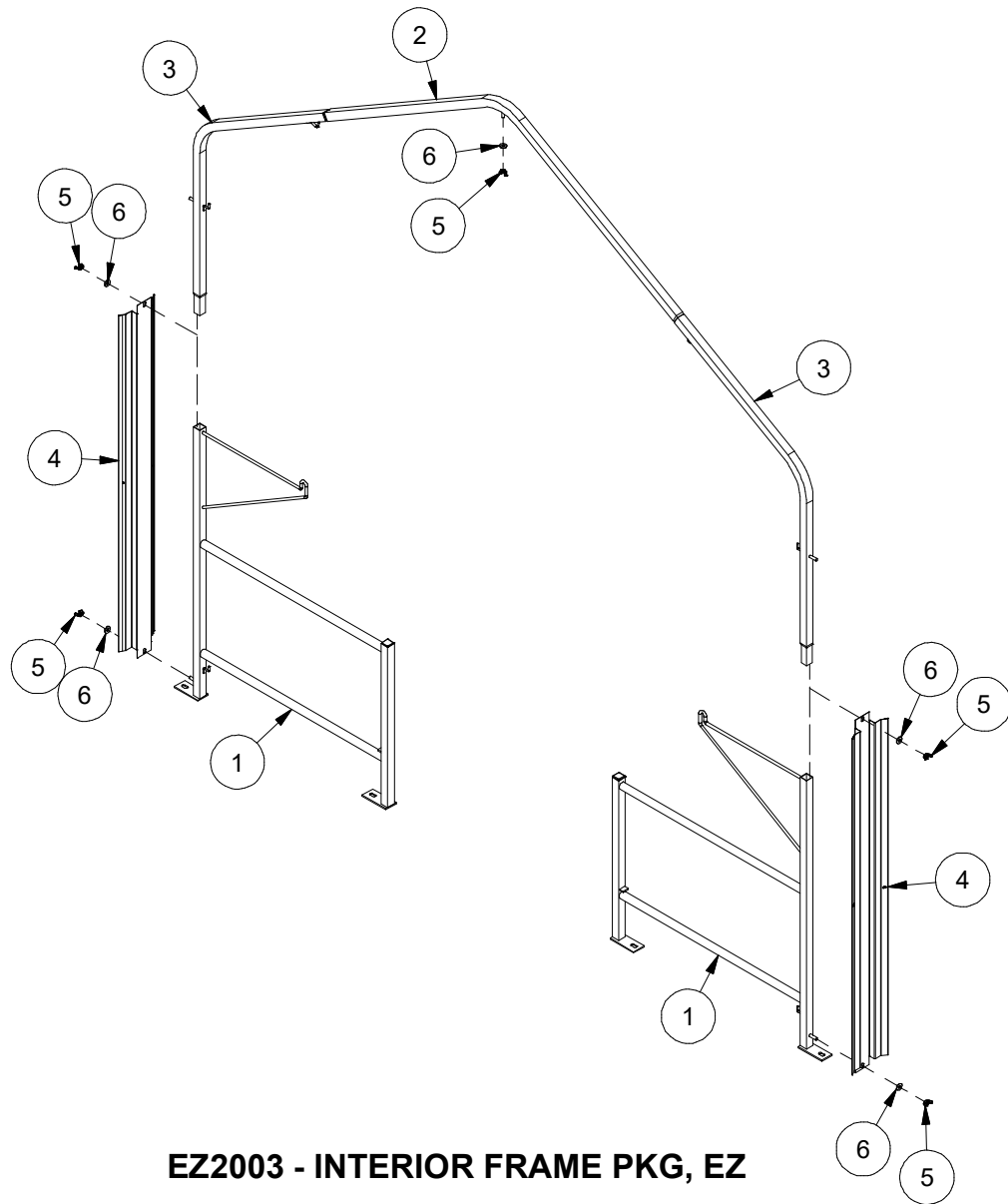
6. Attach the Door, Door Jamb, & (2) Door End Bench Frames to the peak / header subassembly. (The wiggle wire base on the peak / header subassembly should line up with the wiggle wire base on the bench frames.)



7. Attach the Threshold to the bench frame subassembly using (2) nylon washers and (2) 3/8" wing nuts.
8. Set aside the remaining (2) End Caps, (5) nylon washers, and (5) 3/8" wing nuts for now.



INTERIOR FRAME (EZ2003) ASSEMBLY

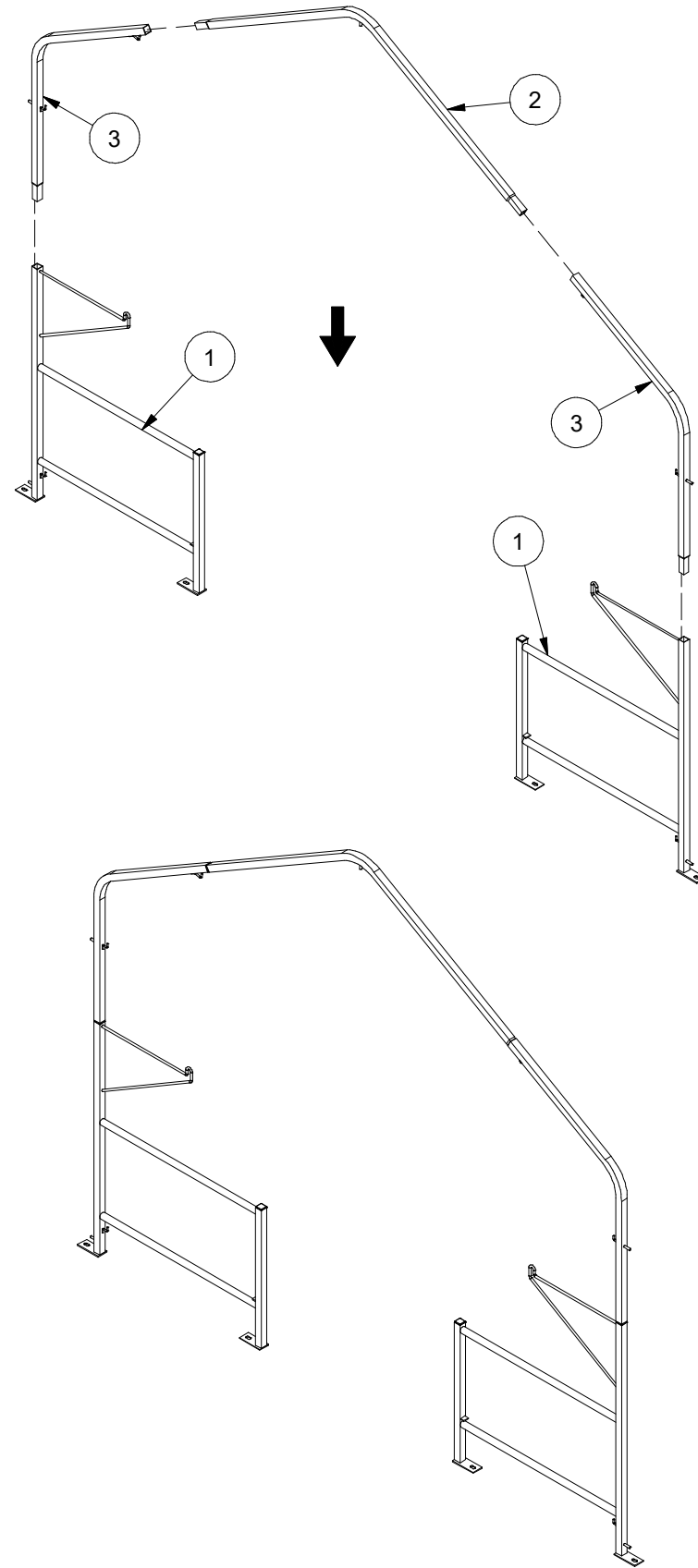


EZ2003 - INTERIOR FRAME PKG, EZ

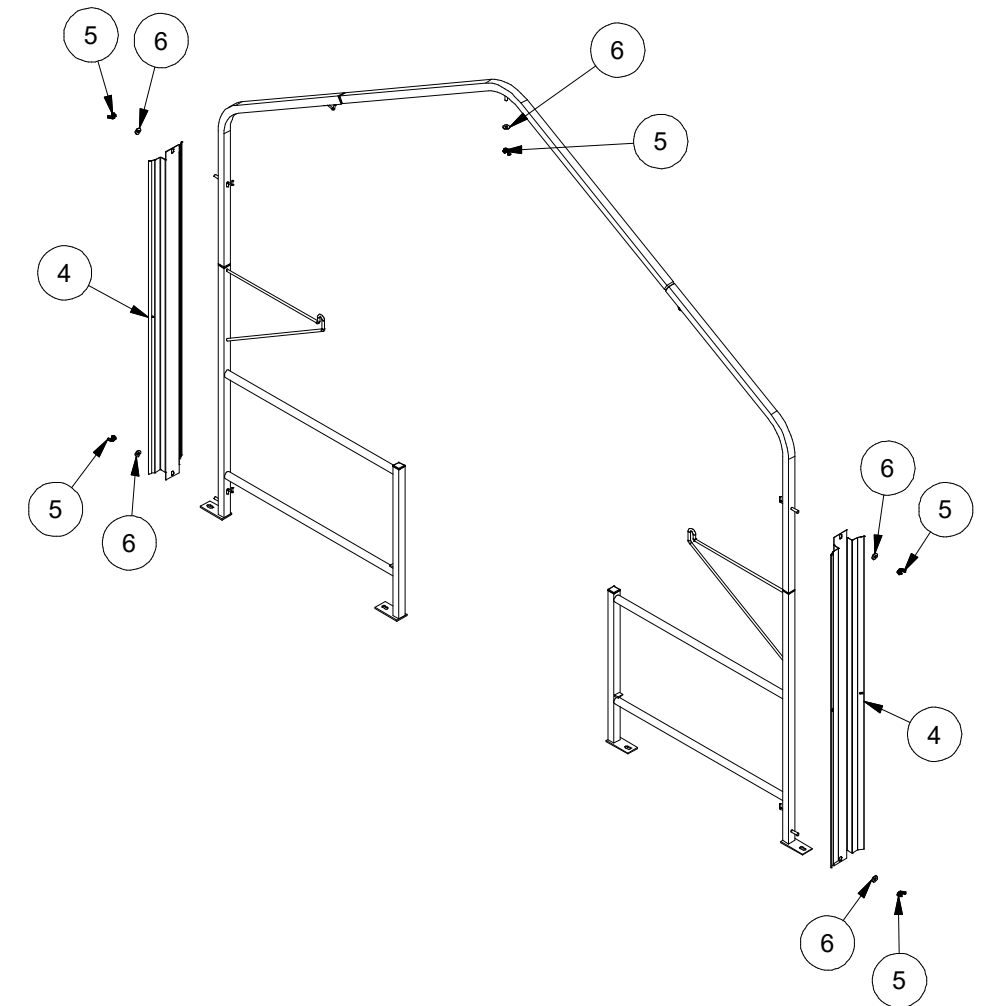
BILL OF MATERIALS

ID	QTY	ITEM CODE	DESCRIPTION
1	2	EZ1007	BENCH FRAME, INTERIOR
2	1	EZ1122	PEAK, INTERIOR
3	2	EZ1125	PEAK SUPPORT, INTERIOR
4	2	GMSA50	DIVIDER, GM2000
5	5	NB1901	WING NUT, 3/8" ZP
6	5	NB1923	WASHER, FLAT, NYLON

REV: AB-200327

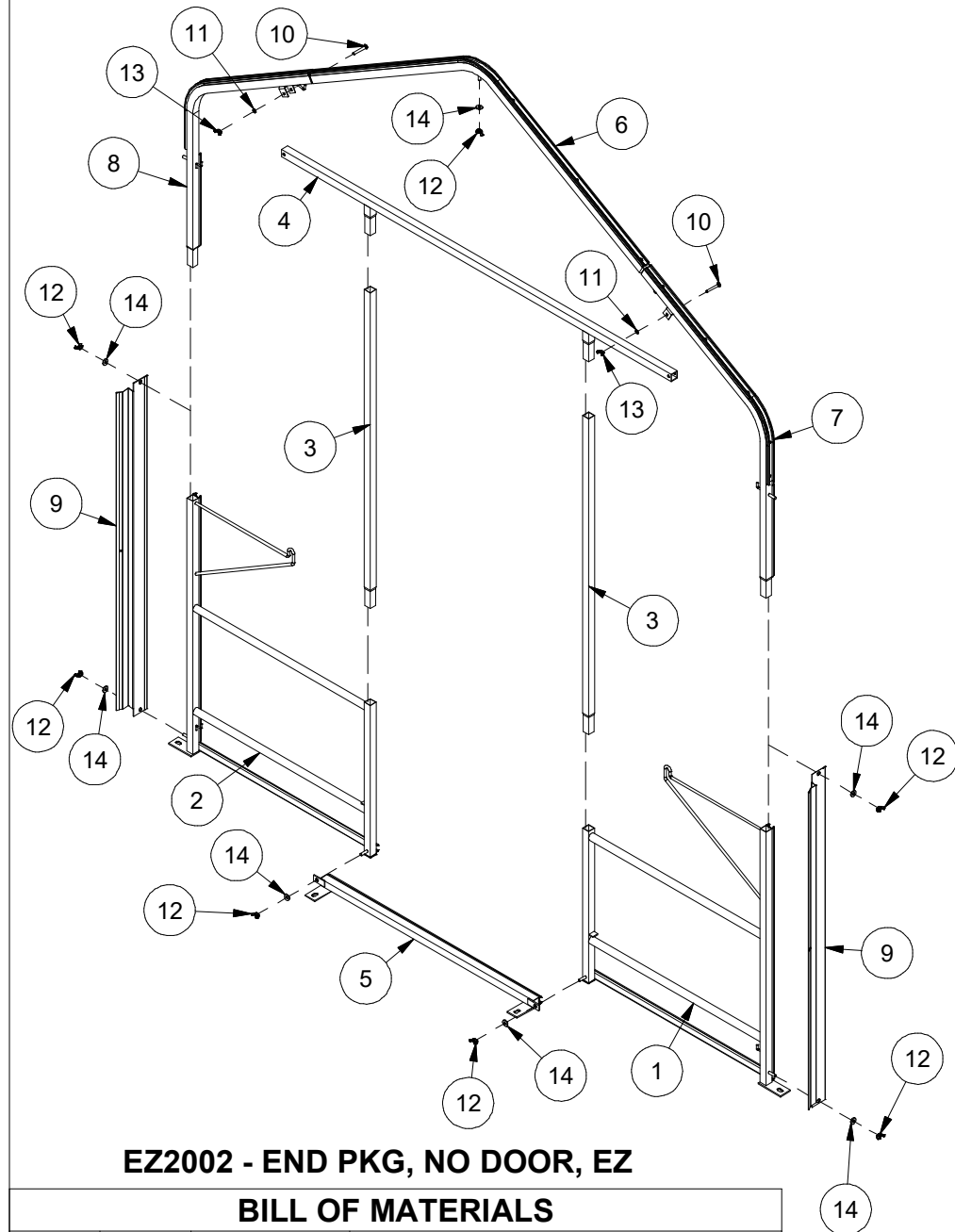


1. Assemble (2) Interior Peak Supports, End Peak, and (2) Interior Bench Frames as shown.



2. Set aside the remaining (2) Dividers, (5) nylon washers, and (5) 3/8" wing nuts for now.

END FRAME (EZ2002) ASSEMBLY

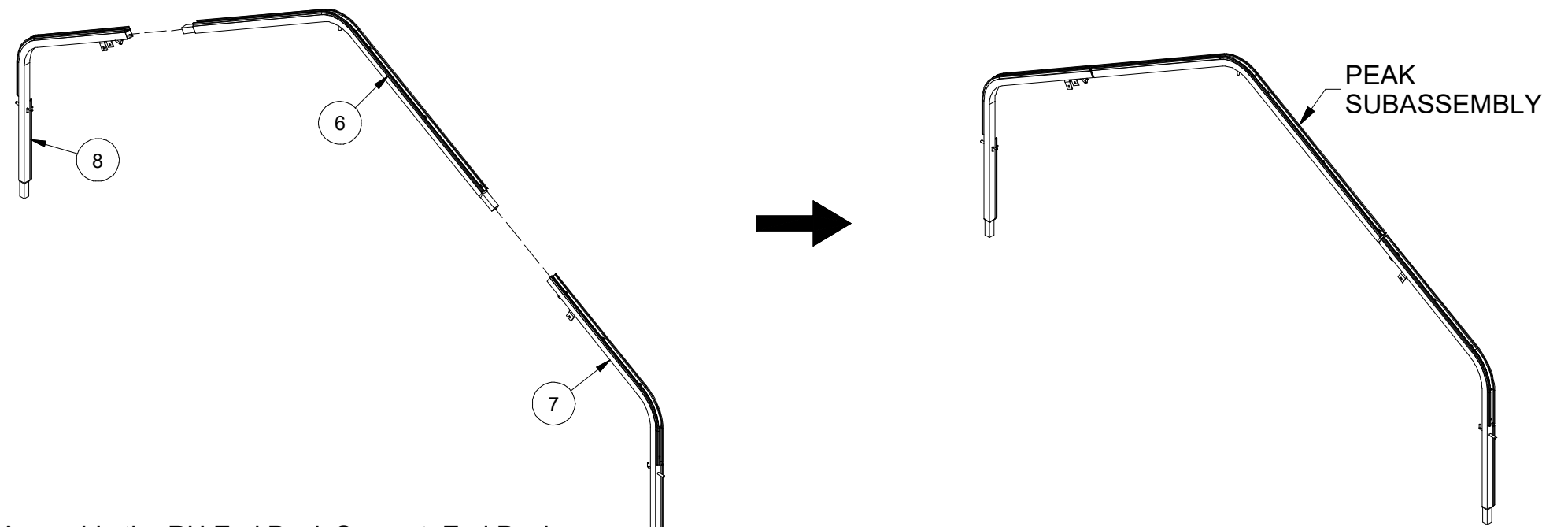


EZ2002 - END PKG, NO DOOR, EZ

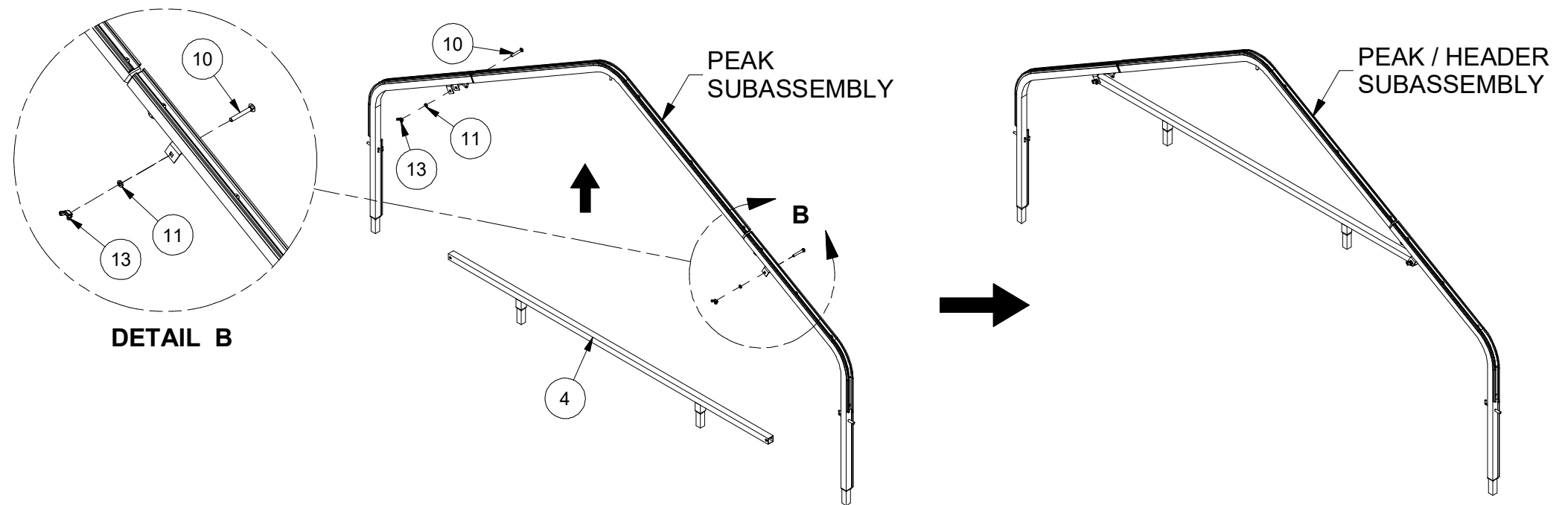
BILL OF MATERIALS

ID	QTY	ITEM CODE	DESCRIPTION
1	1	EZ1004	BENCH FRAME, REAR END, LH
2	1	EZ1006	BENCH FRAME, REAR END, RH
3	2	EZ1101	TUBE, 1.250 SQ x 14GA, 55.5 IN
4	1	EZ1104	WLDMT, HEADER, 79 IN
5	1	EZ1114	REAR BASE
6	1	EZ1124	PEAK, END
7	1	EZ1126	PEAK SUPPORT, END, LH
8	1	EZ1128	PEAK SUPPORT, END, RH
9	2	GMSA51	END CAP, GM2000
10	2	NB1816	CARRIAGE BOLT, 5/16"x2-1/2", G5
11	2	NB1862	WASHER, LOCK, 5/16" ZP
12	7	NB1901	WING NUT, 3/8" ZP
13	2	NB1903	WING NUT, 5/16" ZP
14	7	NB1923	WASHER, FLAT, NYLON

REV: AB-200327

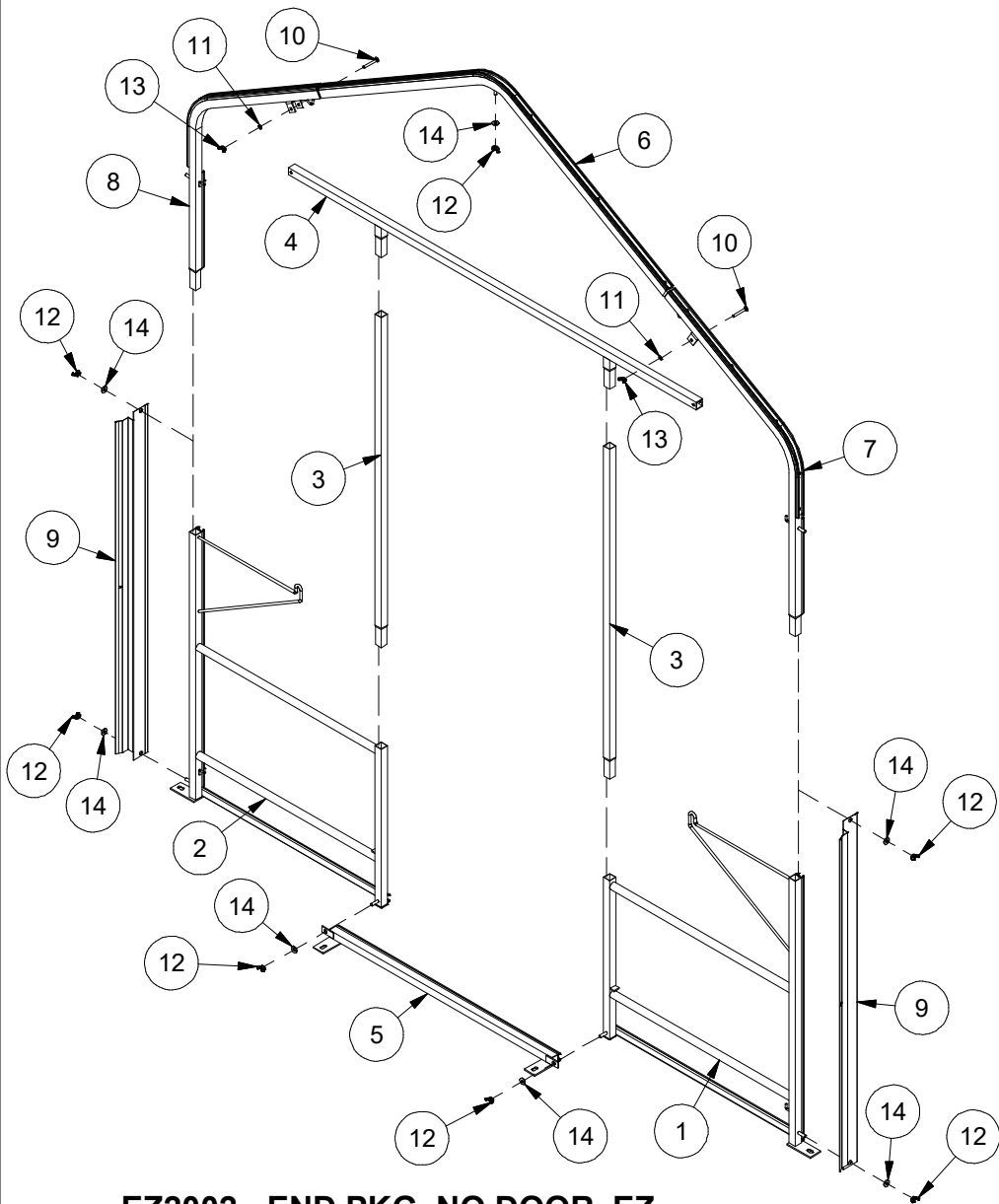


1. Assemble the RH End Peak Support, End Peak, and LH End Peak Support as shown.



2. Position the peak subassembly, so that the wiggle wire base is facing away from you.
3. Attach the Header to the peak subassembly using (2) 5/16" carriage bolts, (2) 5/16" lock washers, and (2) 5/16" wing nuts.

END FRAME (EZ2002) ASSEMBLY

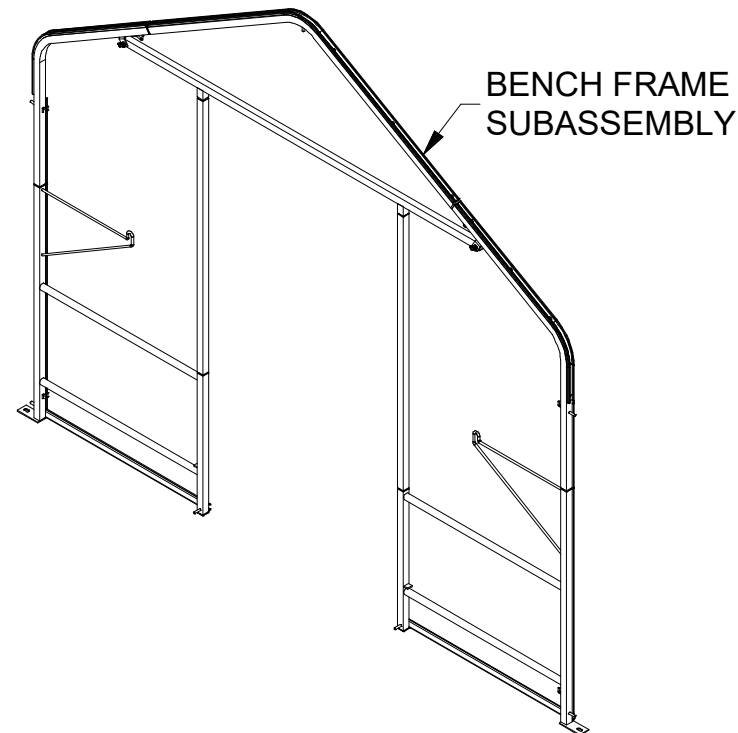
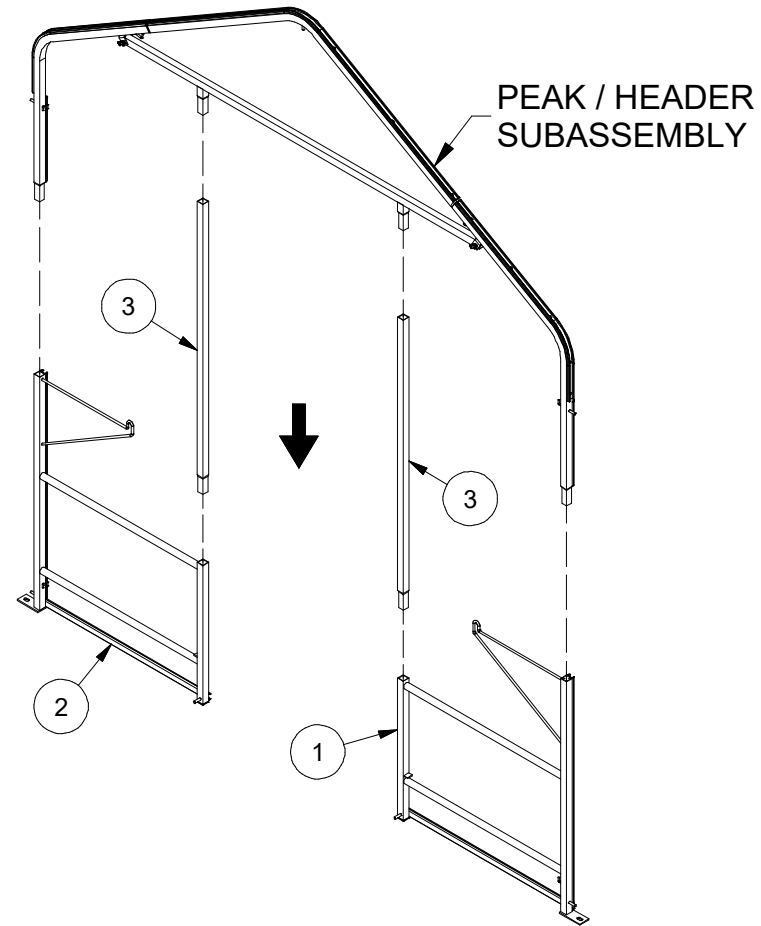


EZ2002 - END PKG, NO DOOR, EZ

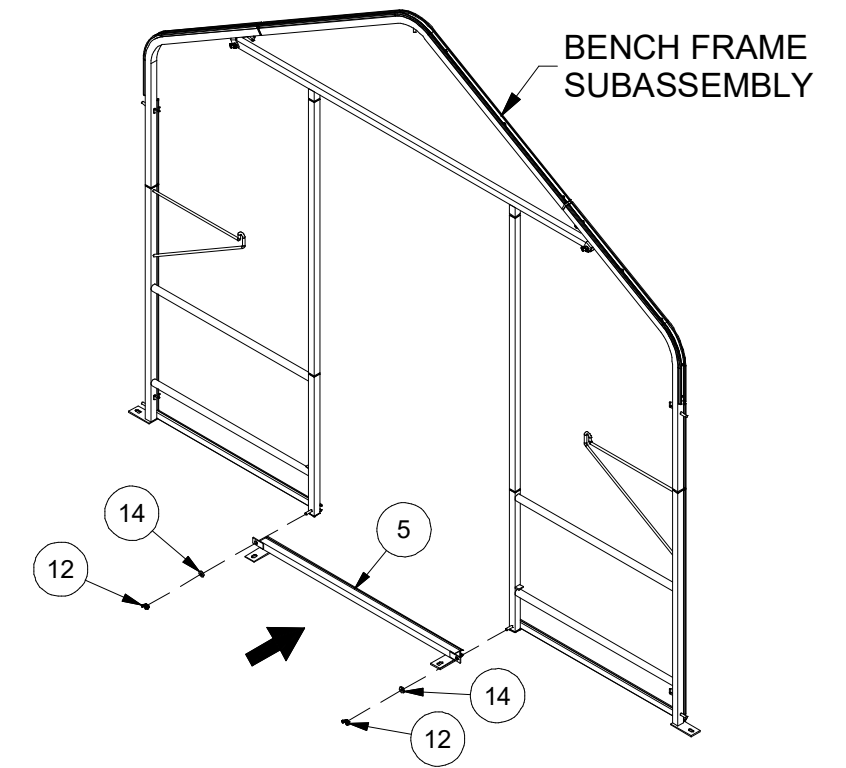
BILL OF MATERIALS

ID	QTY	ITEM CODE	DESCRIPTION
1	1	EZ1004	BENCH FRAME, REAR END, LH
2	1	EZ1006	BENCH FRAME, REAR END, RH
3	2	EZ1101	TUBE, 1.250 SQ x 14GA, 55.5 IN
4	1	EZ1104	WLDMT, HEADER, 79 IN
5	1	EZ1114	REAR BASE
6	1	EZ1124	PEAK, END
7	1	EZ1126	PEAK SUPPORT, END, LH
8	1	EZ1128	PEAK SUPPORT, END, RH
9	2	GMSA51	END CAP, GM2000
10	2	NB1816	CARRIAGE BOLT, 5/16"x2-1/2", G5
11	2	NB1862	WASHER, LOCK, 5/16" ZP
12	7	NB1901	WING NUT, 3/8" ZP
13	2	NB1903	WING NUT, 5/16" ZP
14	7	NB1923	WASHER, FLAT, NYLON

REV: AB-200327

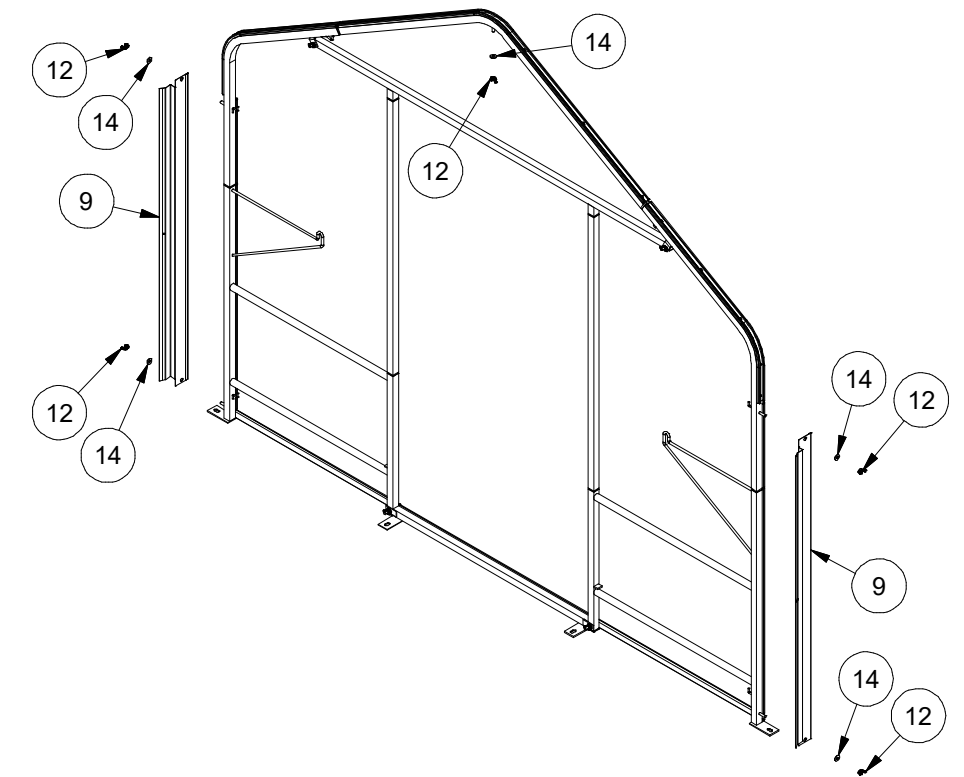


4. Attach the (2) End Frame Tubes & (2) End Bench Frames to the peak / header subassembly. (The wiggle wire base on the peak / header subassembly should line up with the wiggle wire base on the bench frames.)

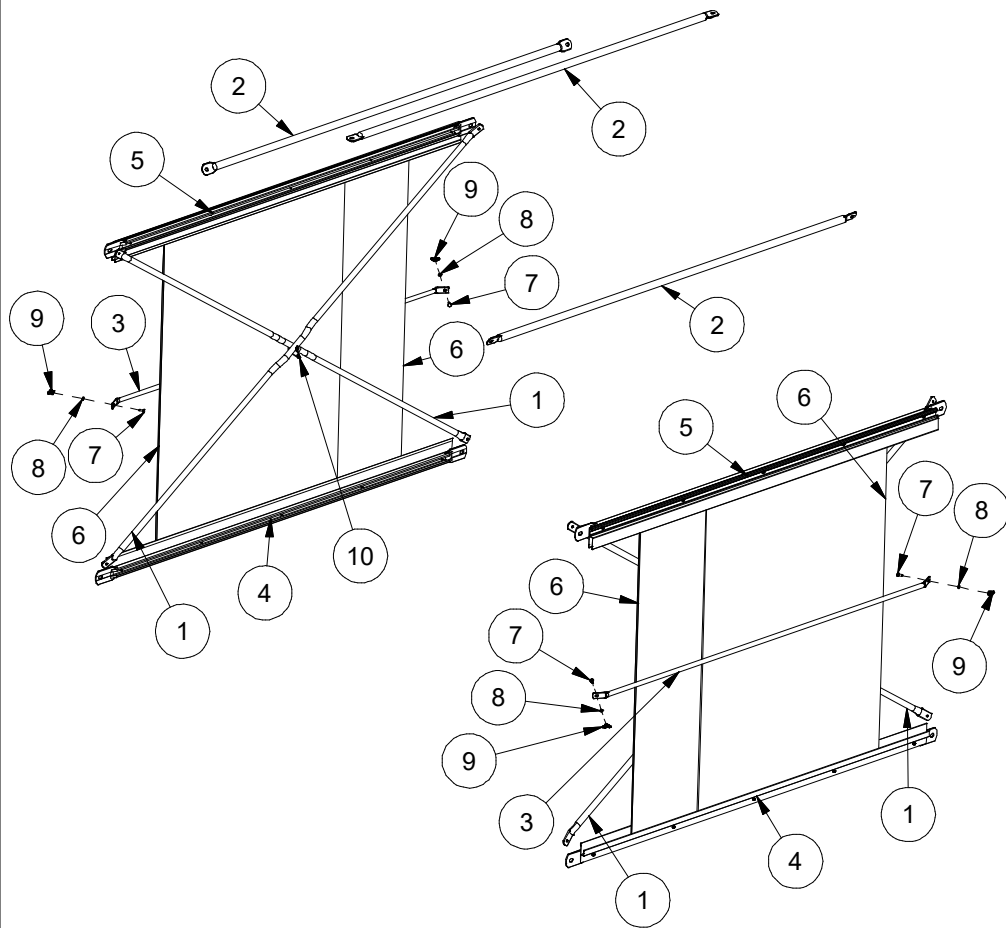


5. Attach the Rear Base to the bench frame subassembly using (2) nylon washers and (2) 3/8" wing nuts.

6. Set aside the remaining (2) End Caps, (5) nylon washers, and (5) 3/8" wing nuts for now.



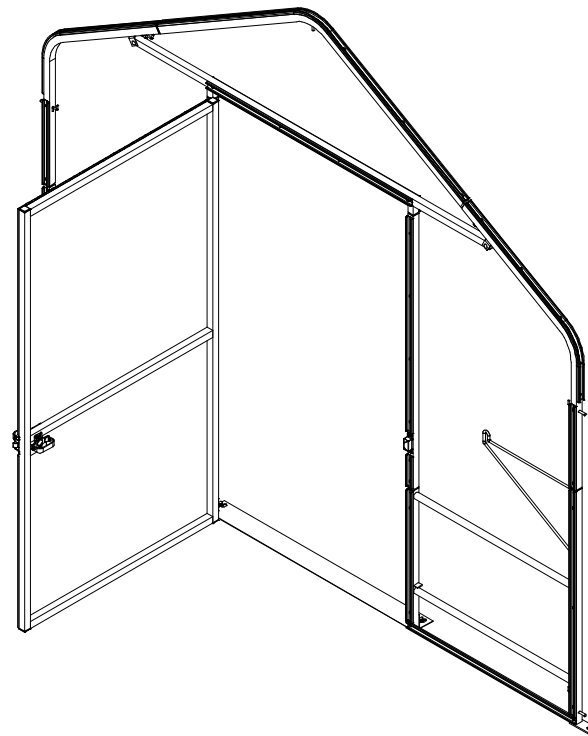
CONNECTING THE FRAMES



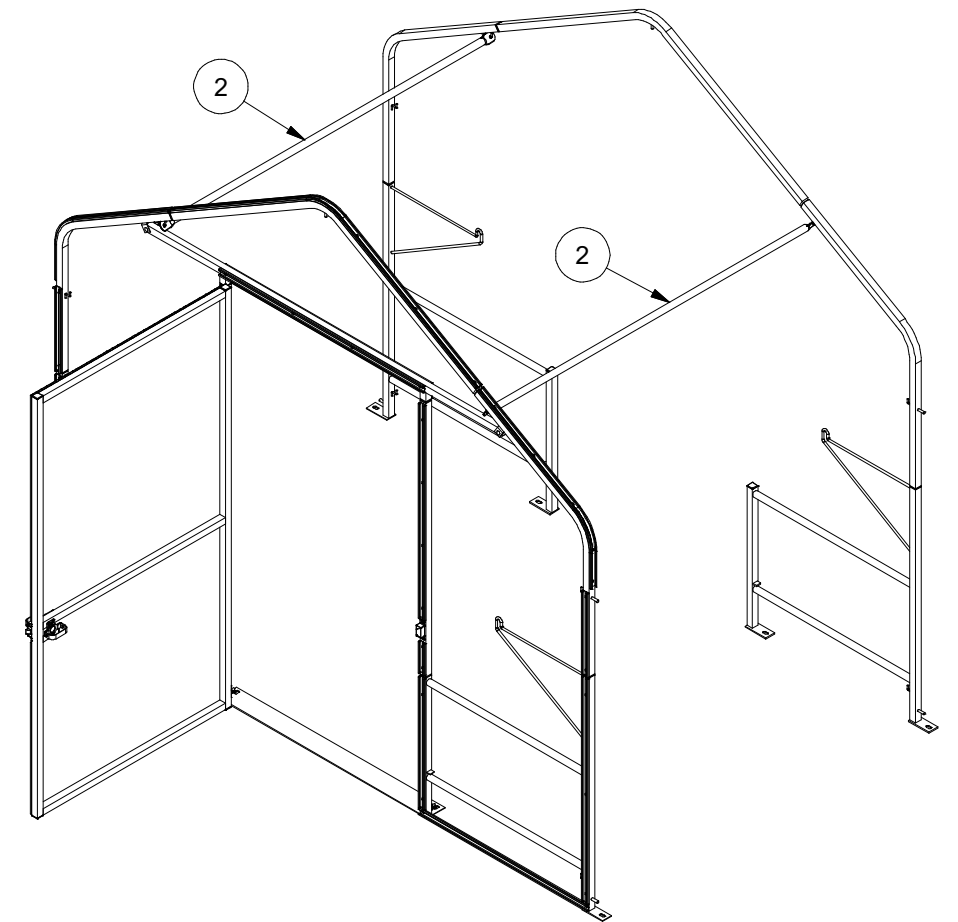
#EZ2004 - FRAME CONNECTOR PKG, EZ

BILL OF MATERIALS

ID	QTY	ITEM CODE	DESCRIPTION
1	4	EZ1100	X-BRACE
2	3	GM4000	PURLIN, BASKET, 73 1/2"
3	2	GMSA52	SLIDE BAR, GM 2000
4	2	SA4013	ASSY, S.A. BOTTOM RAIL, 74"
5	2	SA4018	ASSY, S.A. TOP RAIL, 74" (BROWN)
6	4	SS1005	3'-0" x 55 1/4" 8MM CLR PCSS
7	4	NB1820	CARRIAGE BOLT, 1/4"x 3/4", G5
8	4	NB1860	WASHER, LOCK, 1/4" ZP
9	4	NB1902	WING NUT, 1/4" ZP
10	2	NB1996	SNAPPER PIN, .250" x 2.25"

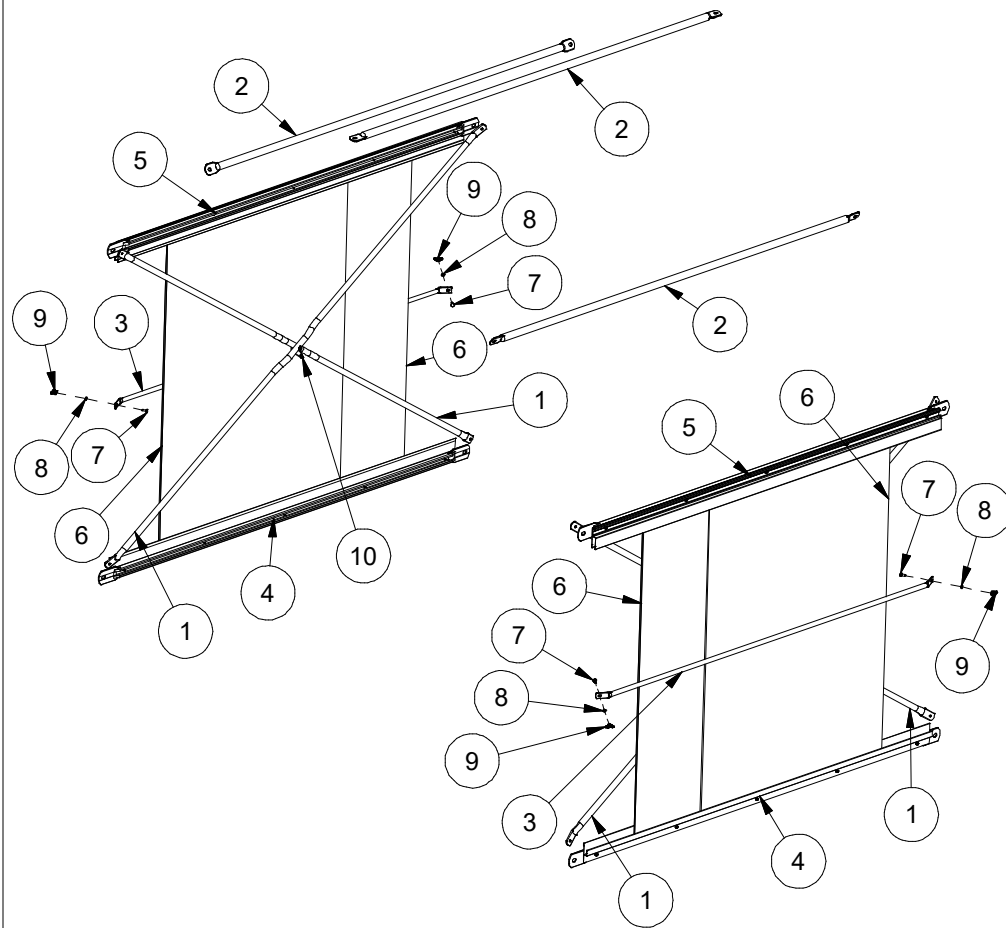


1. Raise door end frame into upright position and open the door to use as a 'kick stand'.



2. Raise interior frame into upright position and attach two Purlins to connect the two frames as shown. (Note: for an #EZ3006 single bay structure, your 2nd and final frame will be an end frame.)

CONNECTING THE FRAMES

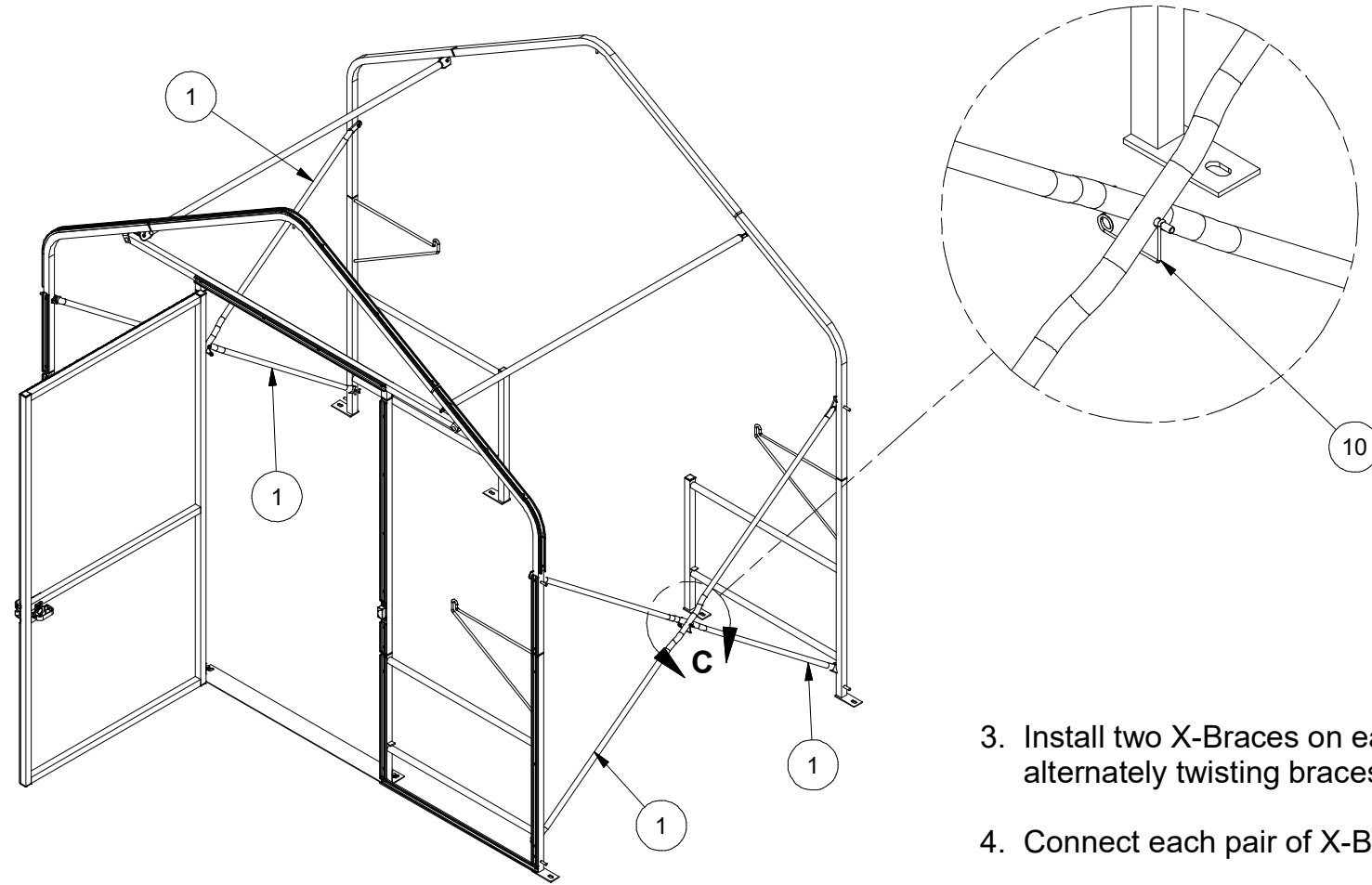


#EZ2004 - FRAME CONNECTOR PKG, EZ

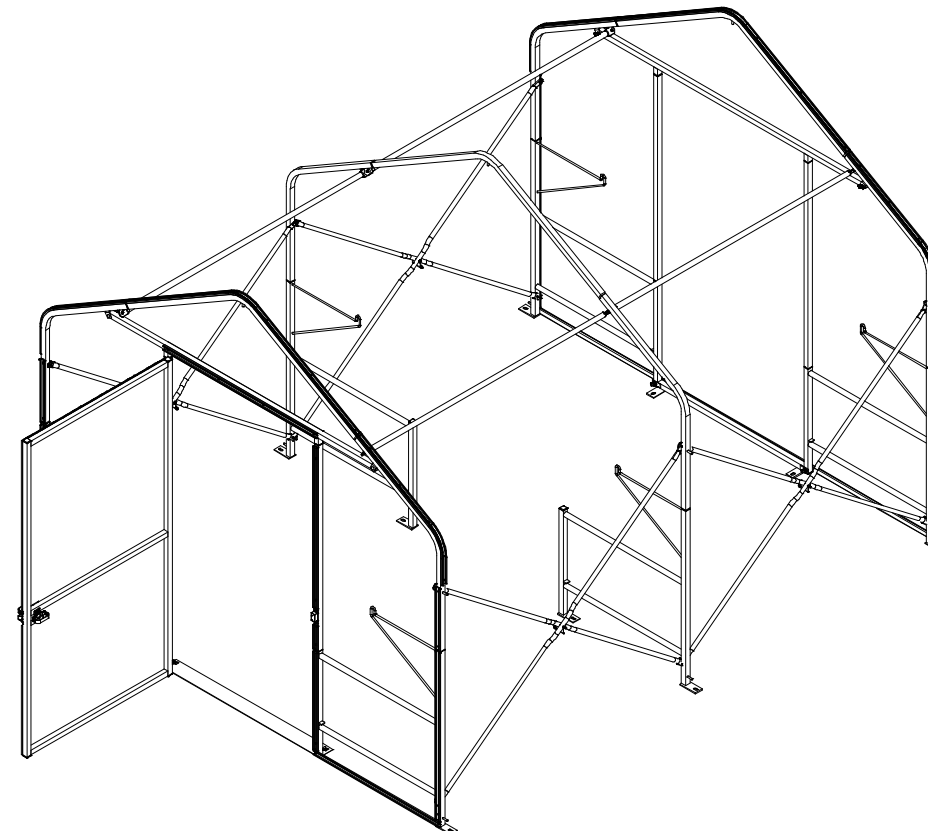
BILL OF MATERIALS

ID	QTY	ITEM CODE	DESCRIPTION
1	4	EZ1100	X-BRACE
2	3	GM4000	PURLIN, BASKET, 73 1/2"
3	2	GMSA52	SLIDE BAR, GM 2000
4	2	SA4013	ASSY, S.A. BOTTOM RAIL, 74"
5	2	SA4018	ASSY, S.A. TOP RAIL, 74" (BROWN)
6	4	SS1005	3'-0" x 55 1/4" 8MM CLR PCSS
7	4	NB1820	CARRIAGE BOLT, 1/4"x 3/4", G5
8	4	NB1860	WASHER, LOCK, 1/4" ZP
9	4	NB1902	WING NUT, 1/4" ZP
10	2	NB1996	SNAPPER PIN, .250" x 2.25"

REV: AB-200327

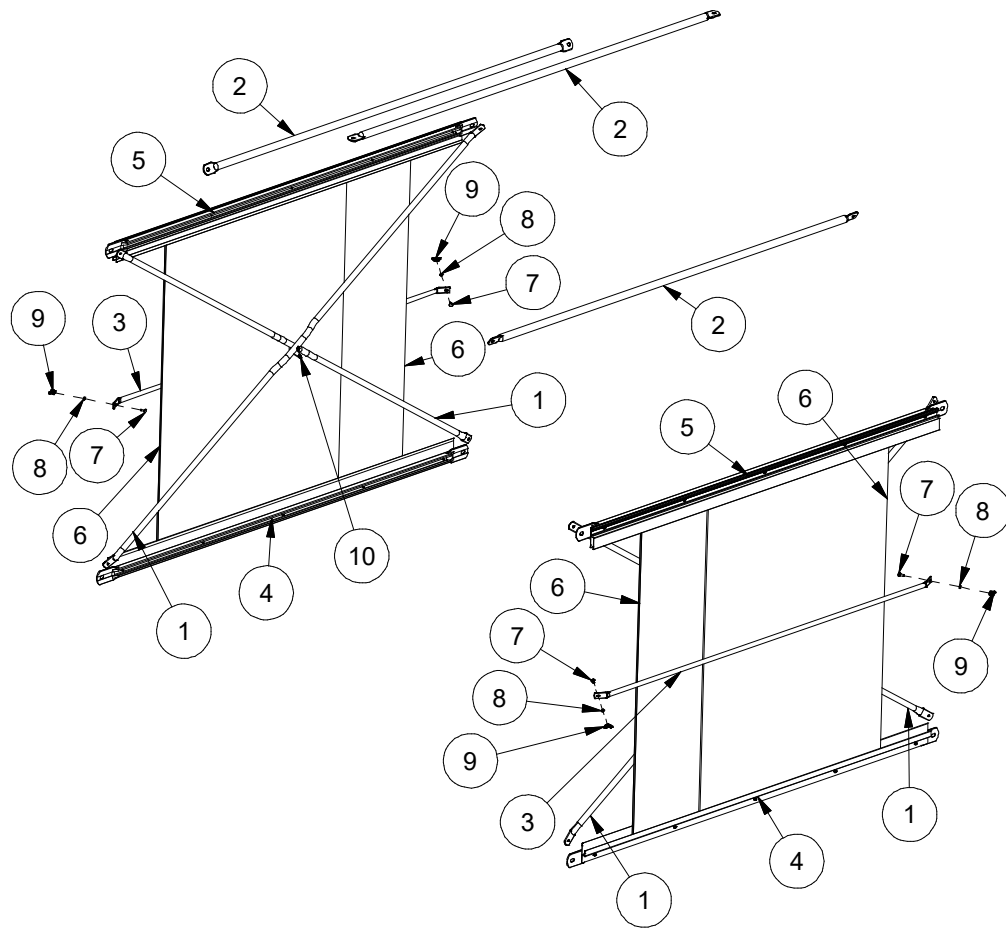


3. Install two X-Braces on each interior side of structure by alternately twisting braces into place onto the hooks as shown.
4. Connect each pair of X-Braces with a snapper pin as shown.



5. Repeat steps 2 - 4 for each additional frame including the end frame.

CONNECTING THE FRAMES

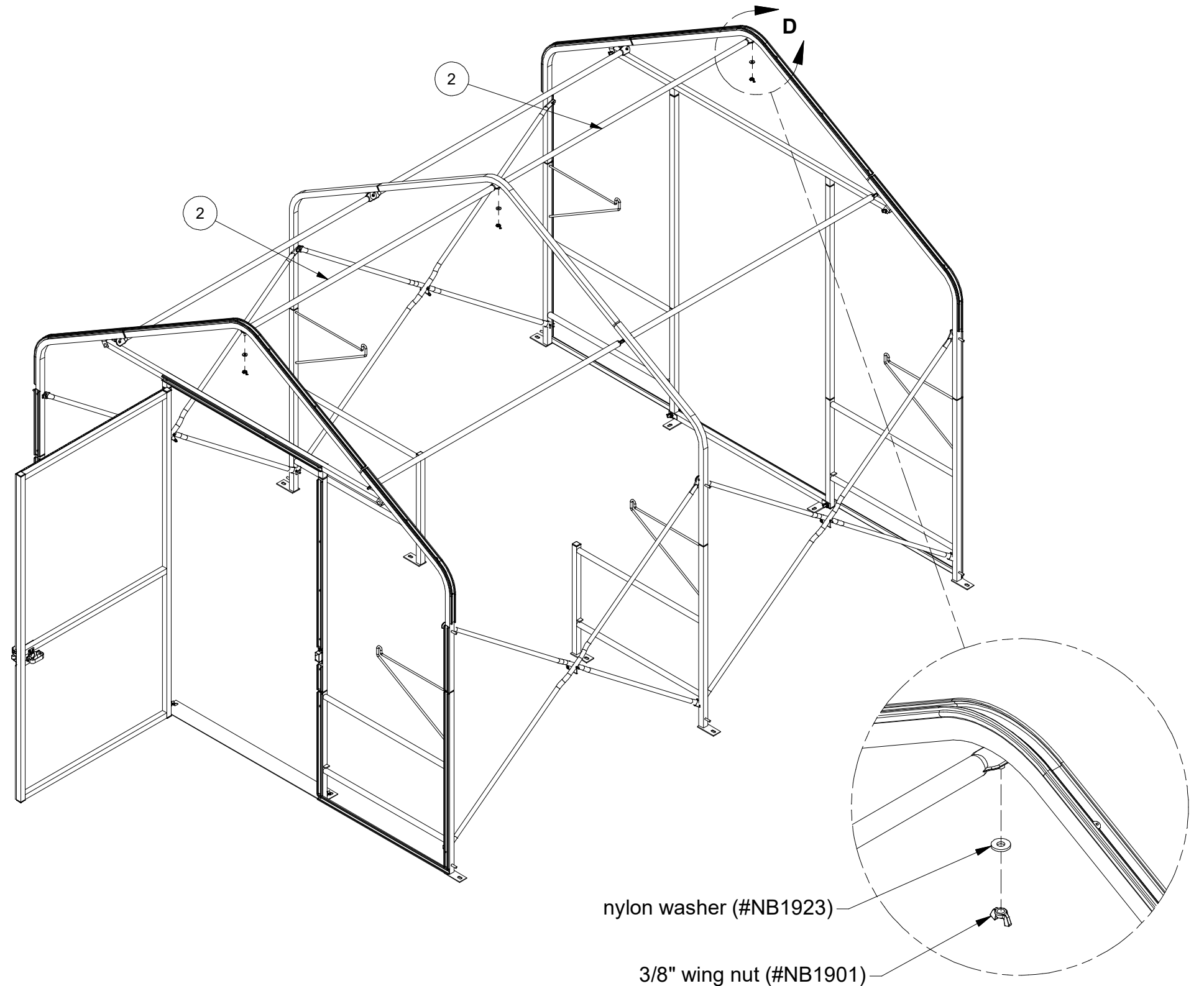


#EZ2004 - FRAME CONNECTOR PKG, EZ

BILL OF MATERIALS

ID	QTY	ITEM CODE	DESCRIPTION
1	4	EZ1100	X-BRACE
2	3	GM4000	PURLIN, BASKET, 73 1/2"
3	2	GMSA52	SLIDE BAR, GM 2000
4	2	SA4013	ASSY, S.A. BOTTOM RAIL, 74"
5	2	SA4018	ASSY, S.A. TOP RAIL, 74" (BROWN)
6	4	SS1005	3'-0" x 55 1/4" 8MM CLR PCSS
7	4	NB1820	CARRIAGE BOLT, 1/4"x 3/4", G5
8	4	NB1860	WASHER, LOCK, 1/4" ZP
9	4	NB1902	WING NUT, 1/4" ZP
10	2	NB1996	SNAPPER PIN, .250" x 2.25"

REV: AB-200327



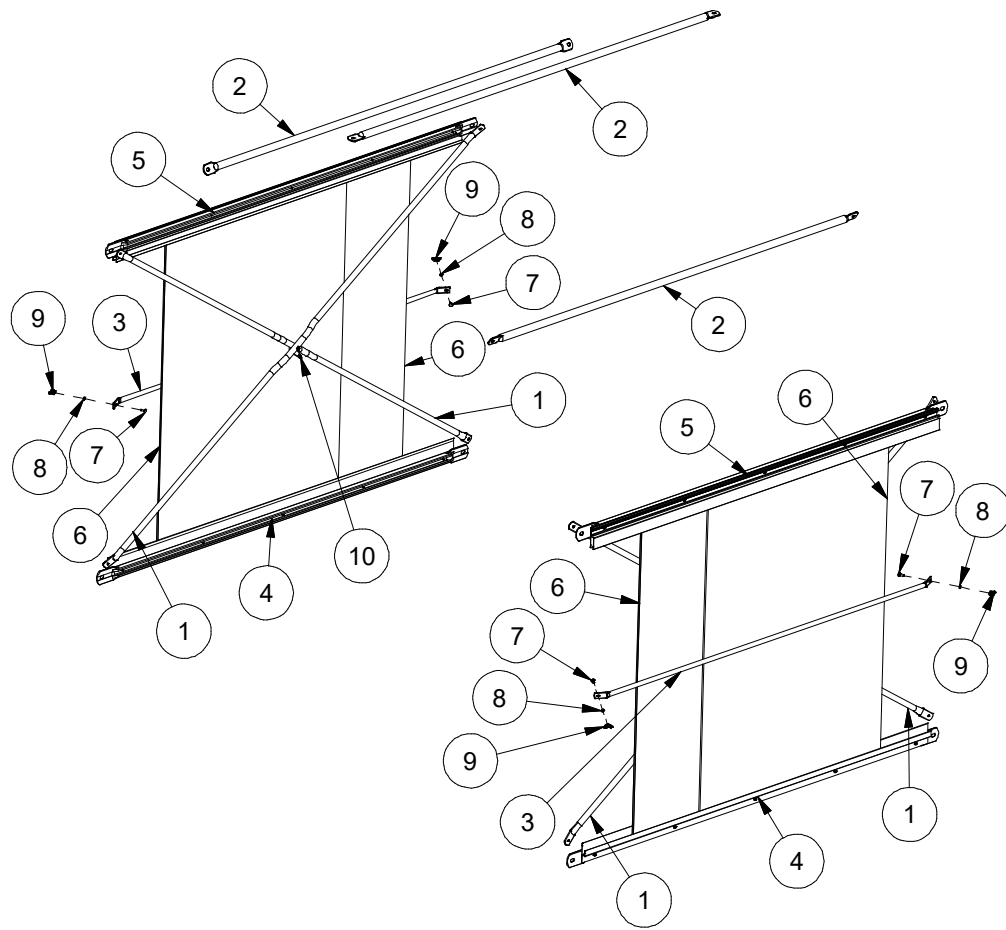
nylon washer (#NB1923)

3/8" wing nut (#NB1901)

DETAIL D
(TYP. CONNECTION)

6. Attach roof Purlin(s) to frame(s) using a nylon washer and 3/8" wing nut for each frame section as shown.

SLIDE SIDE INSTALLATION

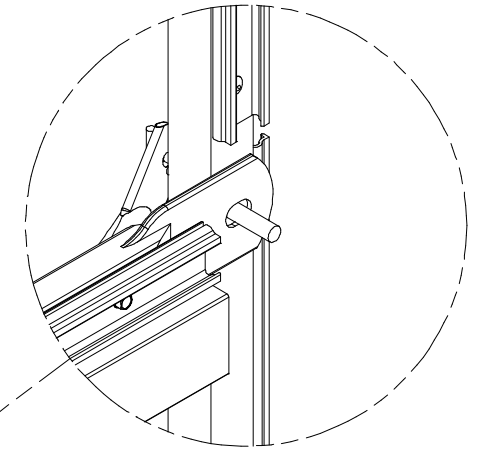
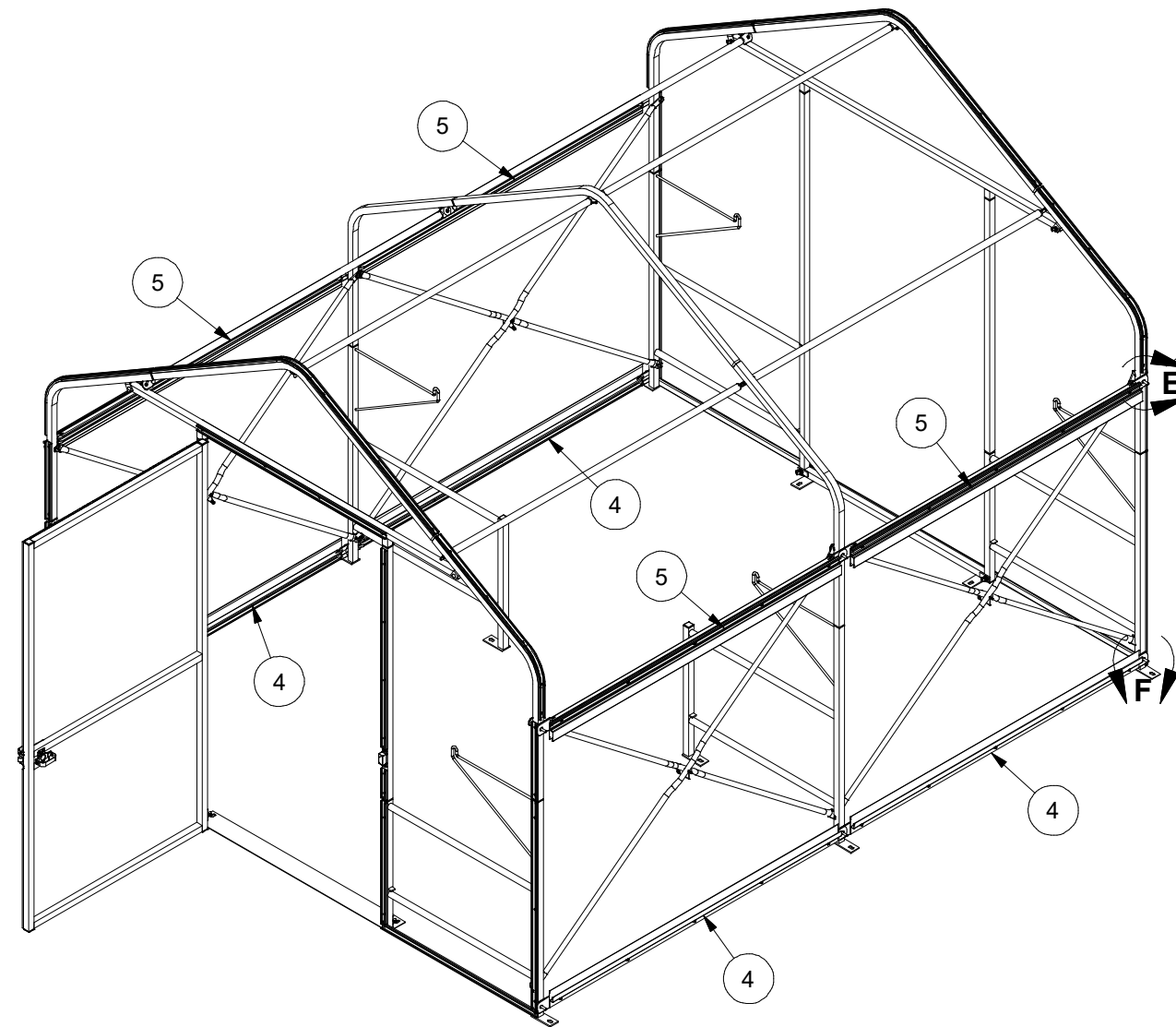


#EZ2004 - FRAME CONNECTOR PKG, EZ

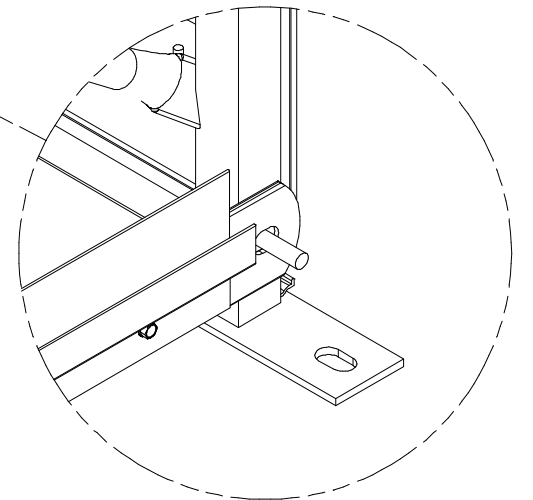
BILL OF MATERIALS

ID	QTY	ITEM CODE	DESCRIPTION
1	4	EZ1100	X-BRACE
2	3	GM4000	PURLIN, BASKET, 73 1/2"
3	2	GMSA52	SLIDE BAR, GM 2000
4	2	SA4013	ASSY, S.A. BOTTOM RAIL, 74"
5	2	SA4018	ASSY, S.A. TOP RAIL, 74" (BROWN)
6	4	SS1005	3'-0" x 55 1/4" 8MM CLR PCSS
7	4	NB1820	CARRIAGE BOLT, 1/4"x 3/4", G5
8	4	NB1860	WASHER, LOCK, 1/4" ZP
9	4	NB1902	WING NUT, 1/4" ZP
10	2	NB1996	SNAPPER PIN, .250" x 2.25"

REV: AB-200327



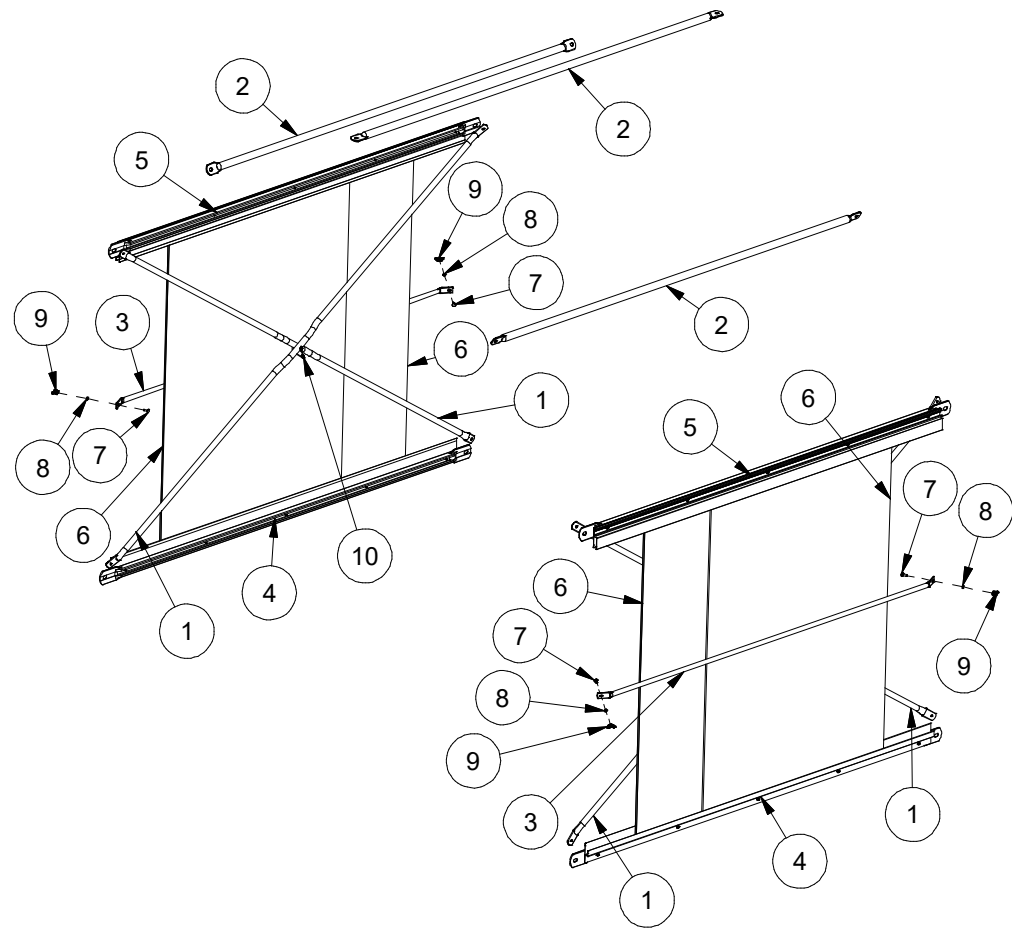
DETAIL E
(TYP. TOP RAIL)



DETAIL F
(TYP. BOTTOM RAIL)

1. Place the top and bottom Slide Side Rails onto the threaded studs as shown.

SLIDE SIDE INSTALLATION

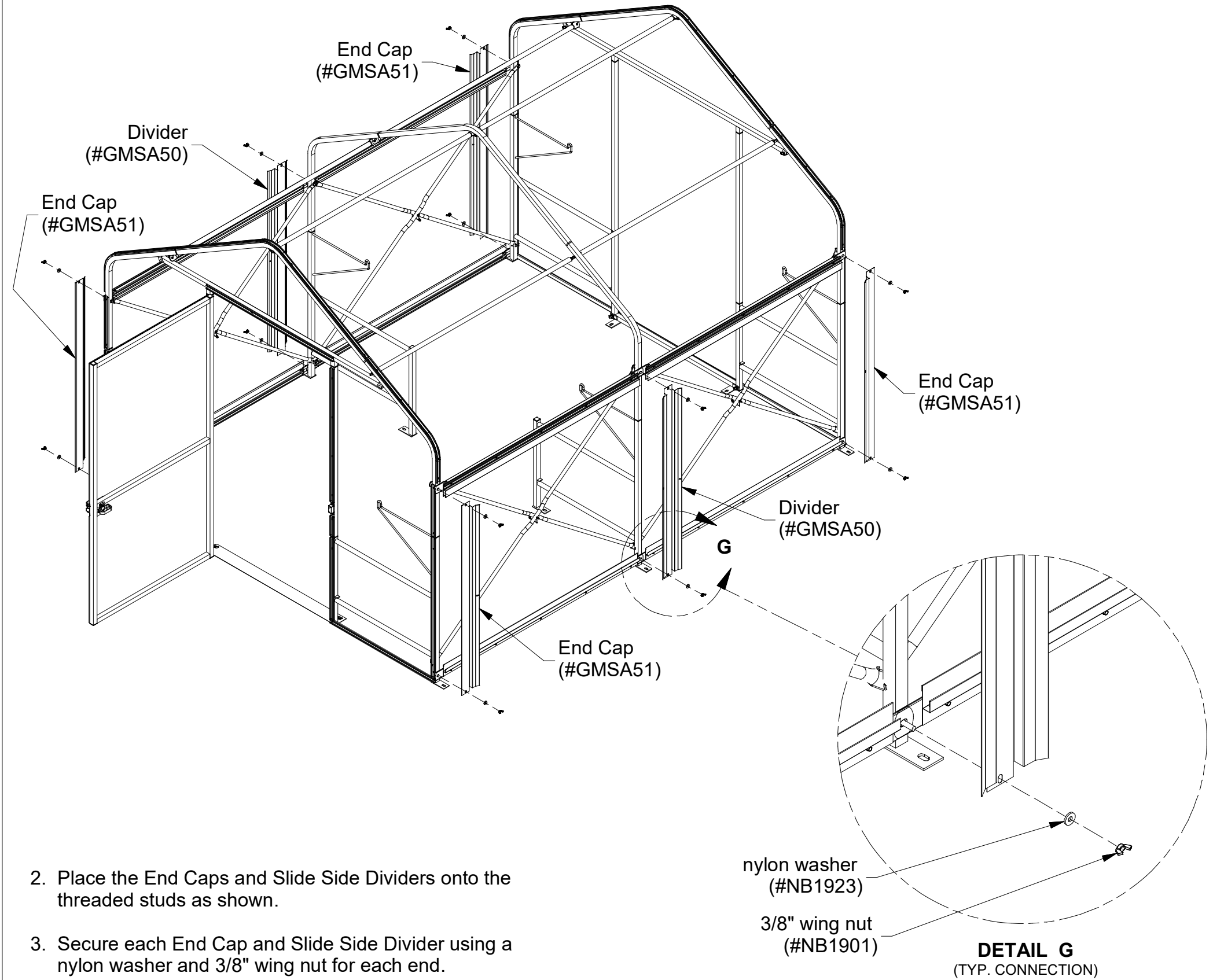


#EZ2004 - FRAME CONNECTOR PKG, EZ

BILL OF MATERIALS

ID	QTY	ITEM CODE	DESCRIPTION
1	4	EZ1100	X-BRACE
2	3	GM4000	PURLIN, BASKET, 73 1/2"
3	2	GMSA52	SLIDE BAR, GM 2000
4	2	SA4013	ASSY, S.A. BOTTOM RAIL, 74"
5	2	SA4018	ASSY, S.A. TOP RAIL, 74" (BROWN)
6	4	SS1005	3'-0" x 55 1/4" 8MM CLR PCSS
7	4	NB1820	CARRIAGE BOLT, 1/4"x 3/4", G5
8	4	NB1860	WASHER, LOCK, 1/4" ZP
9	4	NB1902	WING NUT, 1/4" ZP
10	2	NB1996	SNAPPER PIN, .250" x 2.25"

REV: AB-200327

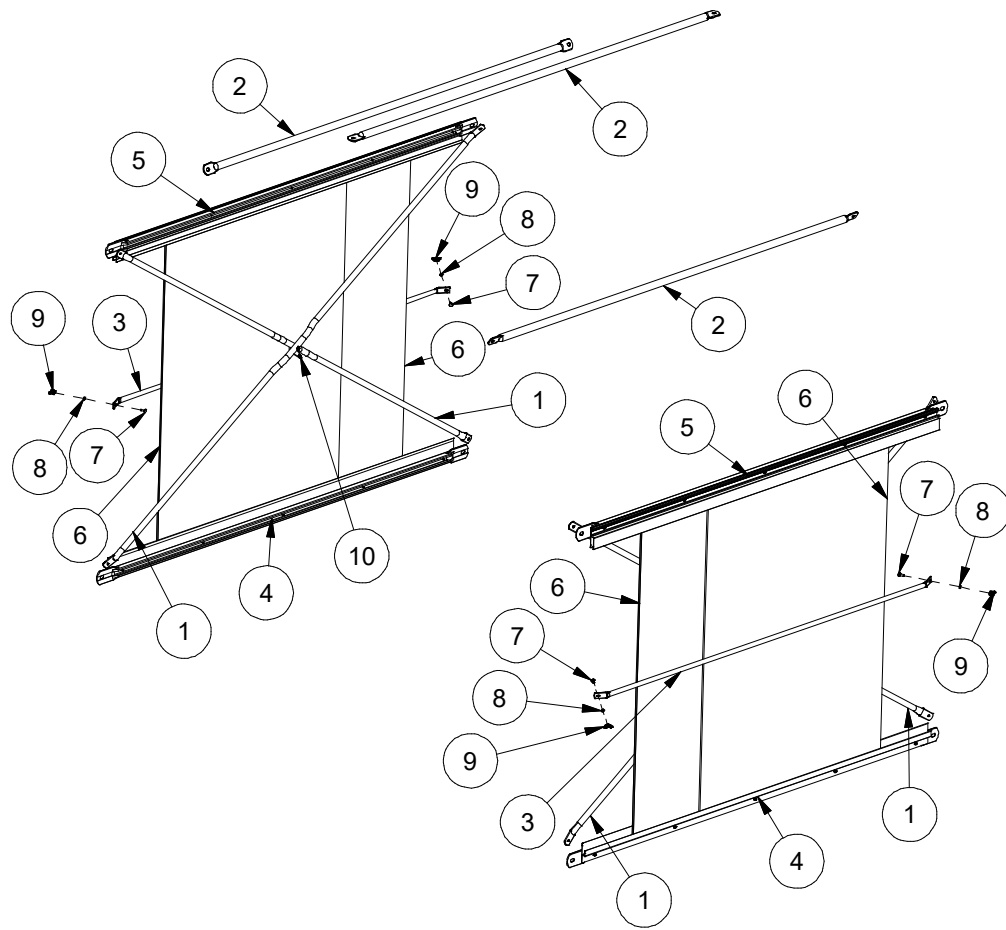


- Place the End Caps and Slide Side Dividers onto the threaded studs as shown.
- Secure each End Cap and Slide Side Divider using a nylon washer and 3/8" wing nut for each end.

nylon washer
(#NB1923)
3/8" wing nut
(#NB1901)

DETAIL G
(TYP. CONNECTION)

SLIDE SIDE INSTALLATION

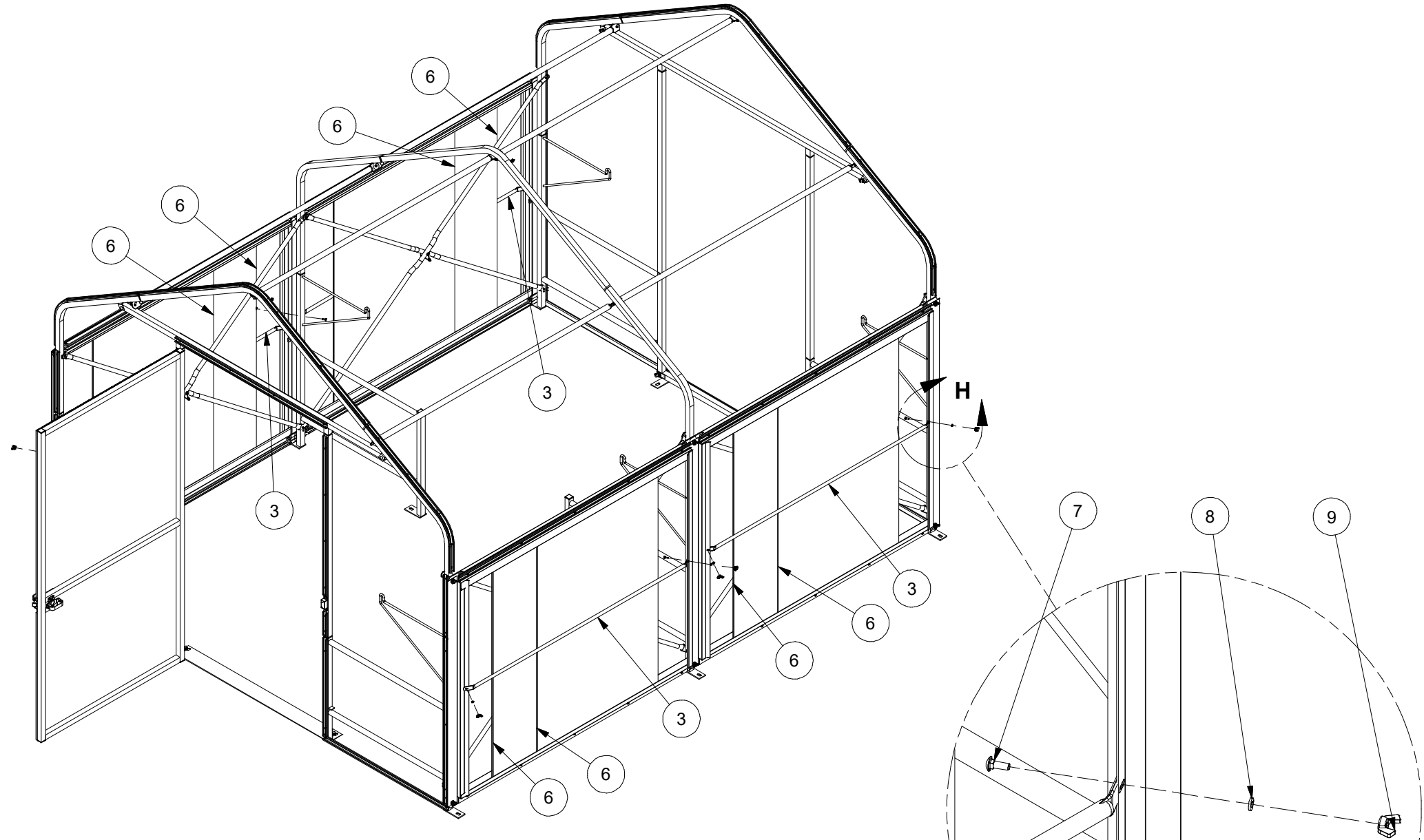


#EZ2004 - FRAME CONNECTOR PKG, EZ

BILL OF MATERIALS

ID	QTY	ITEM CODE	DESCRIPTION
1	4	EZ1100	X-BRACE
2	3	GM4000	PURLIN, BASKET, 73 1/2"
3	2	GMSA52	SLIDE BAR, GM 2000
4	2	SA4013	ASSY, S.A. BOTTOM RAIL, 74"
5	2	SA4018	ASSY, S.A. TOP RAIL, 74" (BROWN)
6	4	SS1005	3'-0" x 55 1/4" 8MM CLR PCSS
7	4	NB1820	CARRIAGE BOLT, 1/4"x 3/4", G5
8	4	NB1860	WASHER, LOCK, 1/4" ZP
9	4	NB1902	WING NUT, 1/4" ZP
10	2	NB1996	SNAPPER PIN, .250" x 2.25"

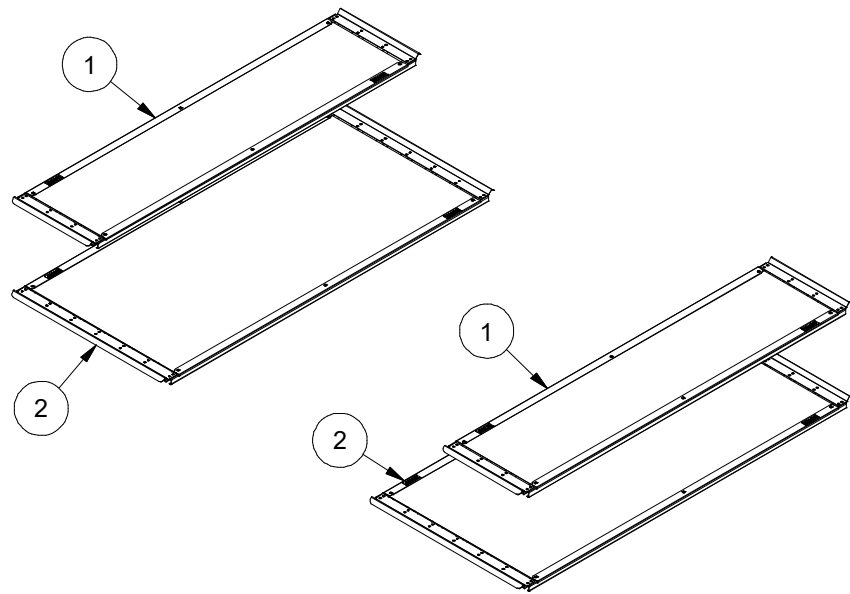
REV: AB-200327



- Remove the protective film from the Clear Polycarbonate Sheeting and be certain to install the panels with the UV protective (blue) side to the outside of the structure.
- Set the panels into the Bottom Rail and bend the middle outward until the panel is short enough to insert into the Top Rail.
- Slide the panels toward the center of the opening and attach the Slide Bars to the End Caps and Dividers using a 1/4" carriage bolt, 1/4" lock washer, and 1/4" wing nut at each Slide Bar end as shown.
- Secure the structure to the ground with spikes or helical anchors, or to a slab with concrete anchors to prevent strong winds from moving the structure out of position. If the structure is placed on wood blocks, be sure to anchor the blocks in one of the above manners and secure the structure to the blocks with lag bolts at the base of each frame leg. (Anchors not included.)

DETAIL H
(TYP. CONNECTION)

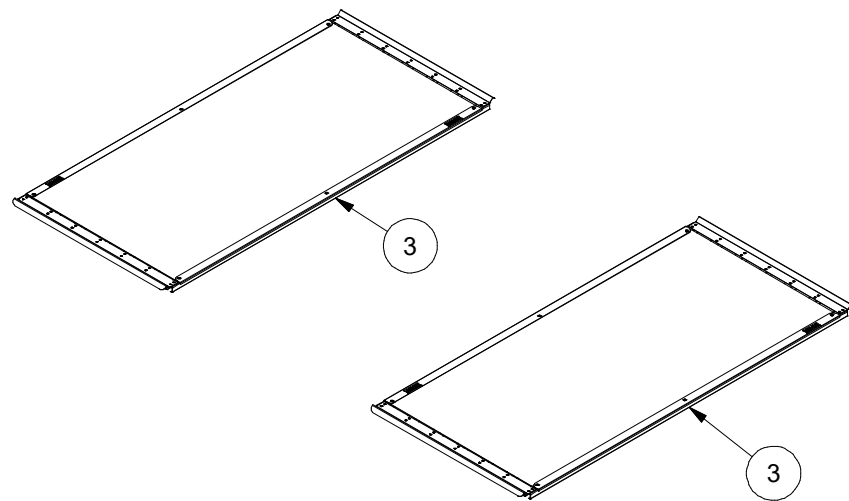
BENCH TOP INSTALLATION



#EZ2006 - BENCH PKG, UPPER, EZ

BILL OF MATERIALS

ID	QTY	ITEM CODE	DESCRIPTION
1	2	FK1000	BENCH TOP W/ EXP MTL, 1'-6"W x 6'L
2	2	FK1002	BENCH TOP W/ EXP MTL, 3'W x 6'L

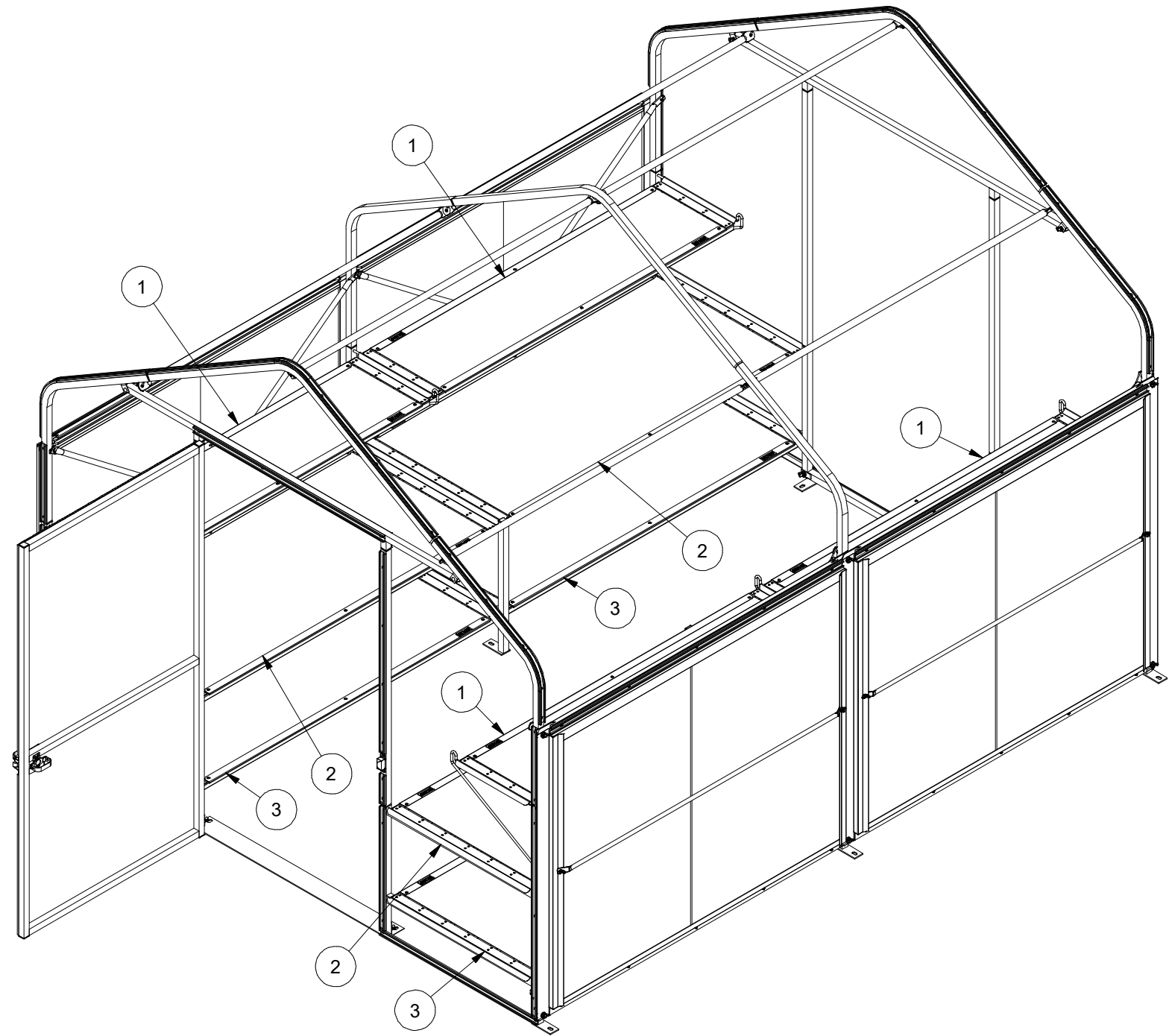


#EZ2007 - BENCH PKG, LOWER, EZ

BILL OF MATERIALS

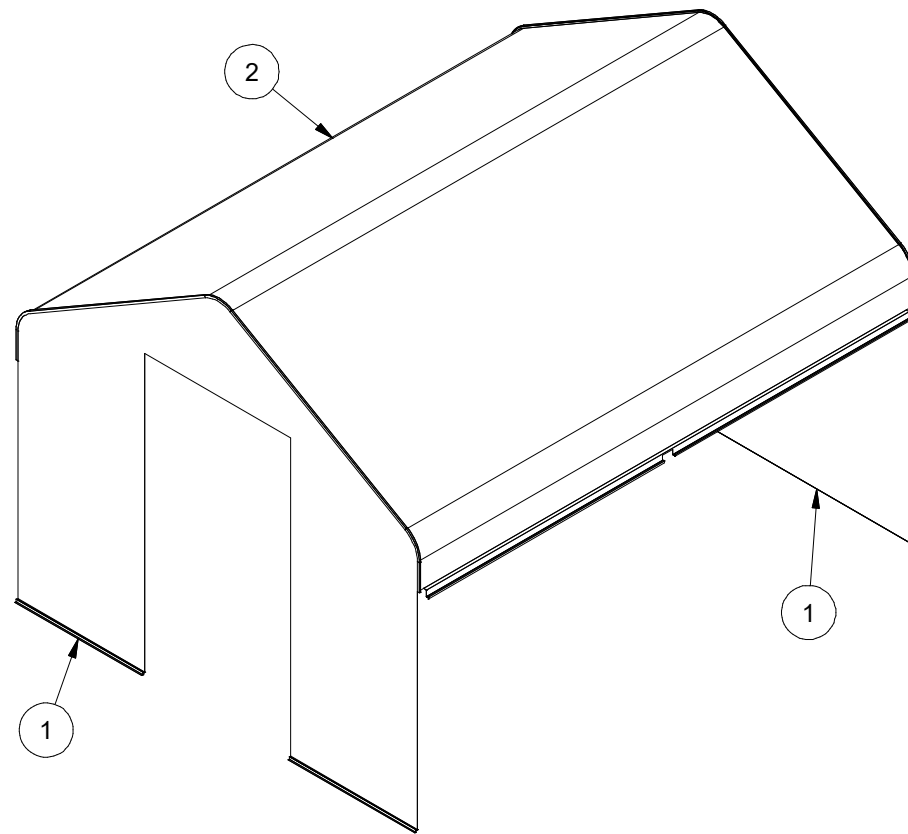
ID	QTY	ITEM CODE	DESCRIPTION
3	2	FK1002	BENCH TOP W/ EXP MTL, 3'W x 6'L

REV: AB-200327

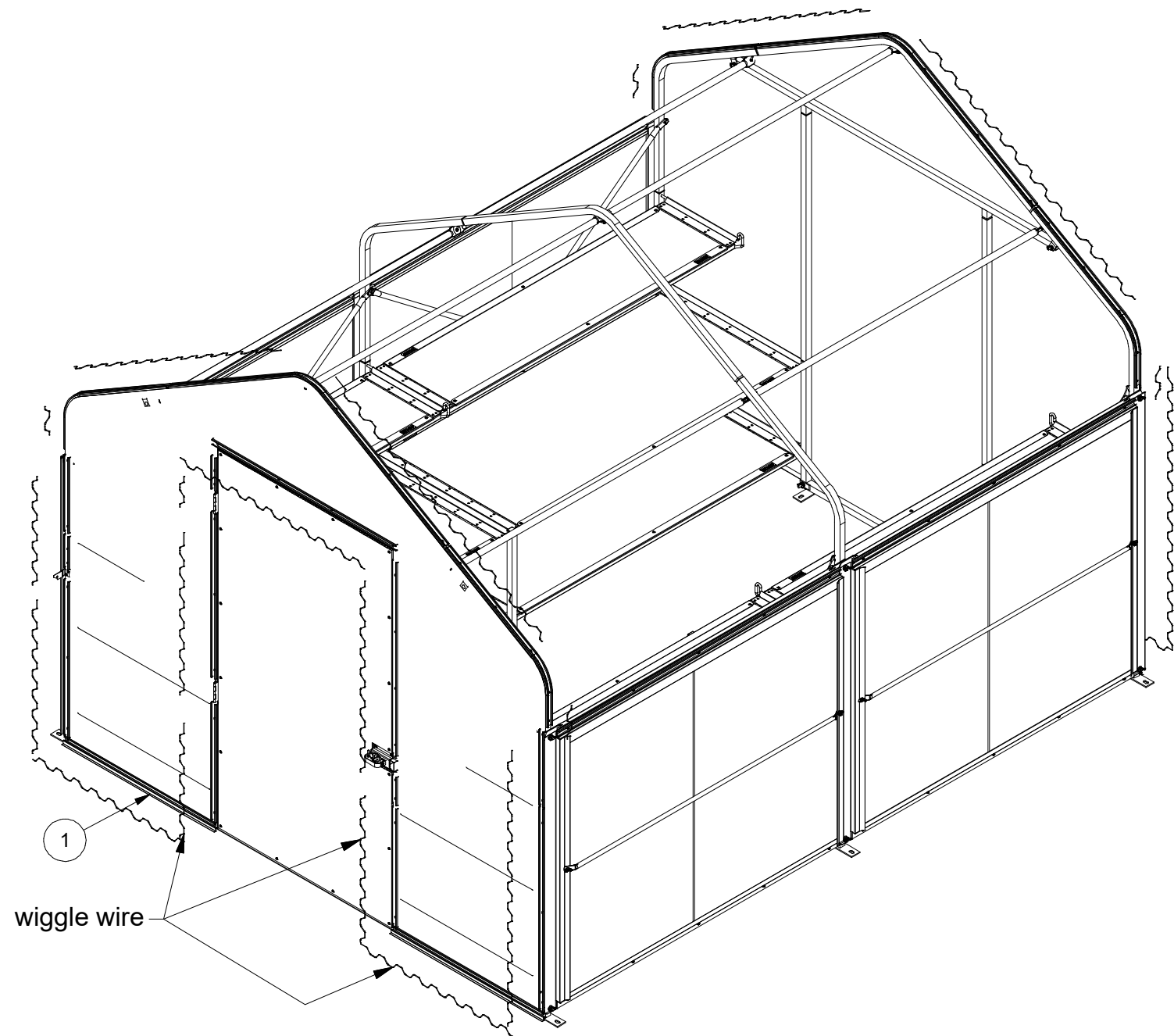


1. Lay the bench tops onto the frames starting from the bottom, being certain to slide the tops under the tabs in the front of the bottom level. (This braces the interior supports from sliding out of position.) Continue to lay the middle and top bench tops into position.
2. Do not climb, sit on, or use this product as a ladder, otherwise injuries may occur.
3. Do not place or install electrical items on the product. Wet conditions are typical and electrical shock could occur.

END FRAME POLY INSTALLATION



#EZ2005 - COVER PKG, EZ



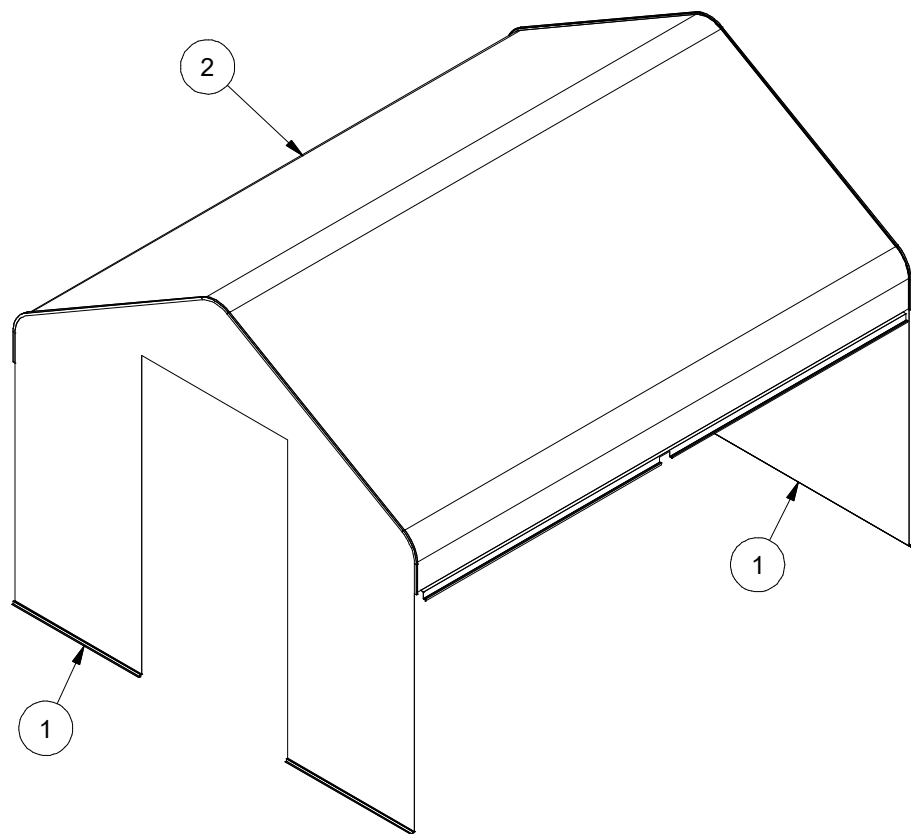
1. Lay out wiggly wire pieces at the base of the end frames. Unroll end poly sheets near each end frame. Center the poly in front of the frame.
2. Using the edge of the poly to act as a guide, leave a surplus of 2" of poly and begin installing poly and wiggly wire at the base on one corner using an up and down motion to install the wire over the layer of poly into the wiggly wire base. Proceed across to the opposite corner, skipping over the door, if present.
3. Lift the poly to the top of the end frame, tension the poly, and attach the first piece of wiggly wire over the peak of the frame. Continuing to tension the poly, install wiggly wire to secure the poly to each side of the roof end.
4. Proceed to install the poly on the other end of the structure. Clip the surplus wiggly wire at the corners with wire cutters.
5. Trim poly around door and at perimeter, leaving 1" extra material for future tensioning.

BILL OF MATERIALS

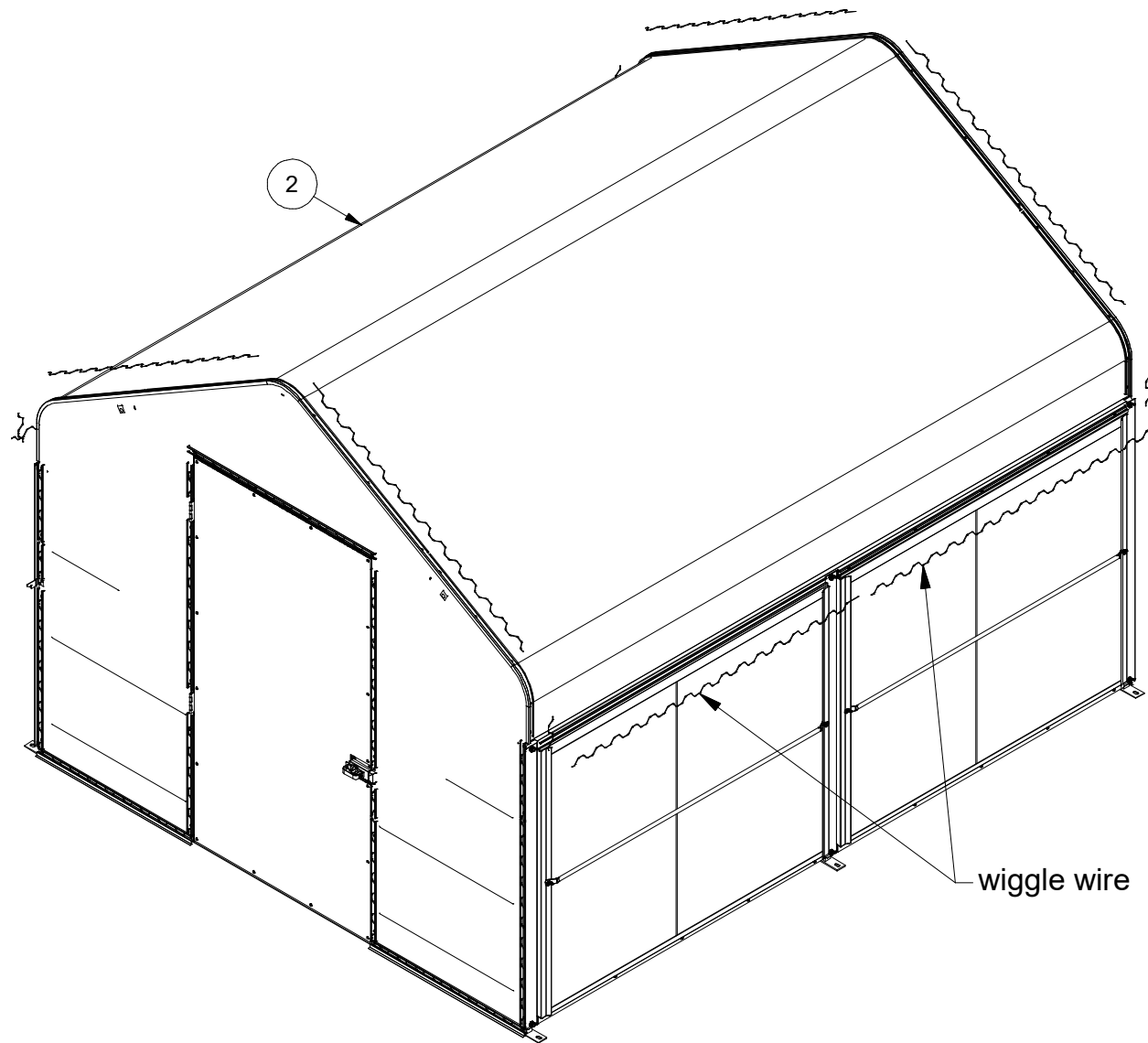
ID	QTY	ITEM CODE	DESCRIPTION
1	2	BM5052	10' x 14' CLEAR END POLY
2	1	BM5058	16' x 26' WHITE ROOF -24' BM

REV: AB-200327

ROOF POLY INSTALLATION



#EZ2005 - COVER PKG, EZ



HELPFUL HINT: If poly covering is installed on a cool day, the poly may expand as the temperature warms causing the film to loosen. It may be necessary to re-tension the poly again at a later date. Try to select a calm day for installation of the roof poly.

1. Lay out the wiggly wire pieces around the perimeter of the structure so that the pieces are handy. Unroll the poly on the ground along the length of the structure. Be sure to have a minimum of one foot of surplus material at each end of the structure when installing the cover. Because one size of cover is provided for several lengths of structure, there may be a piece left over for other customer uses.
2. Drape the poly over the roof and position with even surplus at each side. Begin installing the wiggly wire pieces along one side using an up and down motion to install the wire over the layer of poly into the wiggly wire base. Maintain approximately the same amount of surplus poly as a guide to attach the poly in a straight pattern.

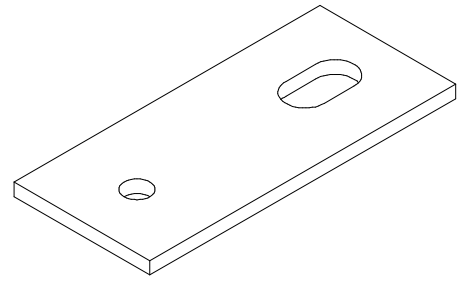
HELPFUL HINT: For best performance, a second person may tension the poly a few feet ahead of the installer.

3. On the second side of the structure, secure the poly with wiggly wire, starting from the middle of the structure and work outward each way until the side is complete.
4. Beginning at the roof peak, tension and install wiggly wire over the peak and down each side of the end frame. Repeat on the other end frame. Clip the surplus wiggly wire at the corners with wire cutters.

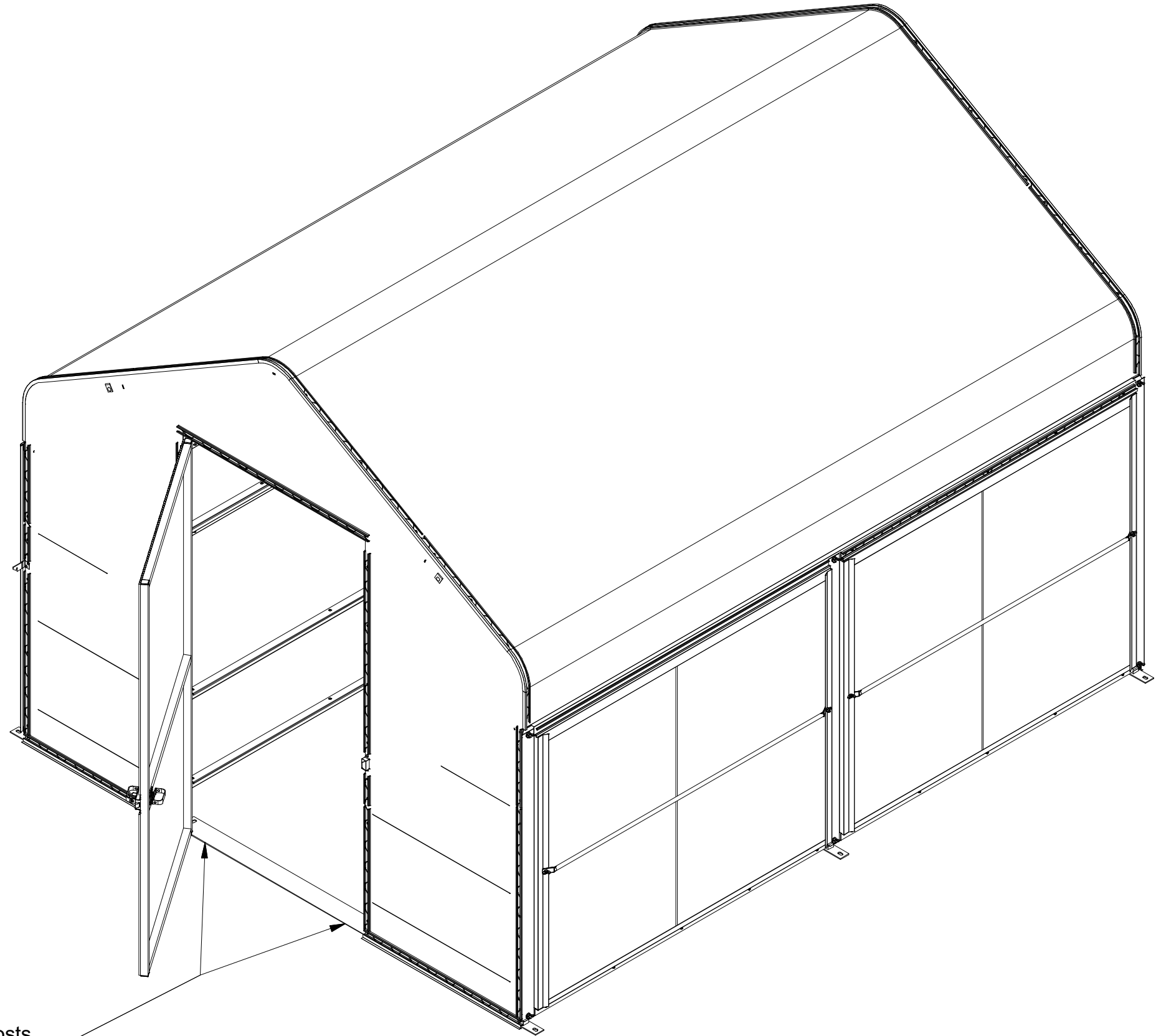
BILL OF MATERIALS

ID	QTY	ITEM CODE	DESCRIPTION
1	2	BM5052	10' x 14' CLEAR END POLY
2	1	BM5058	16' x 26' WHITE ROOF -24' BM

LEVELING THE DOOR HEADER



BMS1119



1. Use (2) BMS1119 to shim under the door posts, as required, to level the door header.