

GARDEN

MART



1999

INSTRUCTION MANUAL

R:GMGMCOV.PM6

POLYTEX
INCORPORATED

27725 Danville Avenue • P.O. Box 458
Castle Rock, Minnesota 55010
651-463-7009
www.poly-tex.com

U.S. & Canada toll free
1-800-852-3443
FAX 1-651-463-2479

INTRODUCTION

CONGRATULATIONS! You have purchased the most advanced, portable greenhouse for the RETAIL MARKETING of spring bedding plants. Early in this introduction, we would like to stress the following points:

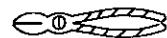
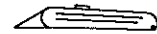
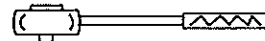
1. Please read the instructions thoroughly. If you find any discrepancies, or if there is something you don't understand, please call us toll free at 1-800-852-3443.
2. Inspect your shipment carefully. If there are any damaged or open cartons, check for concealed damage before the trucker leaves. Any shortage or damage should be noted on the bill of lading. Damage claims should be filed with the individual carrier. However, we will try to assist you with any claims.
3. The "GARDEN MART" is designed to be set up on a paved parking lot. There is no need to punch holes in the black-top. The "GARDEN MART" will be held secure by several thousand pounds of water or concrete blocks. However, if the unit is to be set up in a field or grassy area, you may use ground posts. All of these methods are discussed in the context of this set up manual.

We have tried to make the "GARDEN MART" as easy to assemble as possible. We have color-coded and attached fittings where possible. When you set it up for the first time, there is a certain amount of bolting together you will have to do.

AGAIN, IF YOU HAVE ANY PROBLEMS, CALL US TOLL FREE AT 1-800-852-3443.

TOOLS REQUIRED:

- 3/8" DRIVE RACHET _____
- 7/16", 1/2", 9/16" SOCKET _____
- UTILITY KNIFE (POLY-VENT OPTIONAL) _____
- WIRE CUTTER _____
- 6' TO 8' STEP LADDER (HANDY FOR COVERING STRUCTURE)



NOTE: FOR SIDE DOOR INSTALLATIONS, A 5/16" DRIVER AND A 3/8" OR 1/2" DRIVE DRILL ARE REQUIRED.

TABLE OF CONTENTS

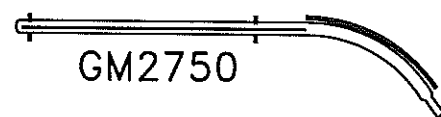
PART IDENTIFICATION — — — — —	PAGE ONE
PART IDENTIFICATION — — — — —	PAGE TWO
DOOR LOCATIONS — — — — —	PAGE THREE
GROUND STAKE INSTALLATION (OPTIONAL) — — — — —	PAGE FOUR
FRONT HOOP ASSEMBLY — — — — —	PAGE FIVE
INTERMEDIATE HOOP ASSEMBLY — — — — —	PAGE SIX
SIDE DOOR ASSEMBLY (OPTIONAL) — — — — —	PAGE SEVEN
STAND UP HOOPS (SLIDE SLIDE ONLY) — — — — —	PAGE EIGHT
SLIDE-SIDE PANEL INSTALLATION — — — — —	PAGE NINE
END HOOP ASSEMBLY — — — — —	PAGE TEN
PURLIN AND CORNER BRACE INSTALLATION — — — — —	PAGE ELEVEN
V BRACKET ASSEMBLY — — — — —	PAGE TWELVE
CONCRETE BLOCK INSTALLATION (OPTIONAL) — — — — —	PAGE THIRTEEN
WATER TUBE INSTALLATION — — — — —	PAGE FOURTEEN
BASKET HOOKS AND ROLLING DOOR INSTALLATION — — — — —	PAGE FIFTEEN
ATTACHING END FRAME POLY — — — — —	PAGE SIXTEEN
ATTACHING ROOF POLY — — — — —	PAGE SEVENTEEN
STAND UP GARDEN MART HOOPS — — — — —	PAGE EIGHTEEN
INSTALL L PANEL ASSEMBLY — — — — —	PAGE NINETEEN
INSTALL FRONT AND REAR GUIDES — — — — —	PAGE TWENTY
INSTALL POLY-VENT — — — — —	PAGE TWENTY-ONE
FRONT & REAR WALL BASKET PURLIN(OPTIONAL) — — — — —	PAGE TWENTY-TWO
KNOCK DOWN PROCEDURE — — — — —	PAGE TWENTY-THREE
INSTALL WATERING SYSTEM — — — — —	PAGE TWENTY-FOUR

POLY-TEX, INC.
P.O. BOX 458
CASTLE ROCK, MN 55010

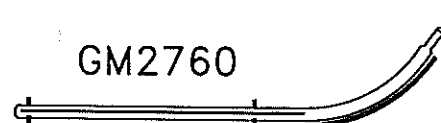
PART IDENTIFICATION

GARDEN MART 98

CORNER HOOP (LEFT)
CODE: BLACK



CORNER HOOP (RIGHT)
CODE: BLACK



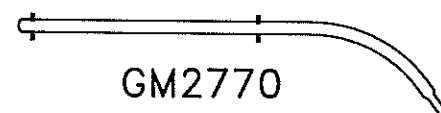
TOP END HOOP (SWEDGED)
(WITH WIGGLE BASE)
CODE: BLACK



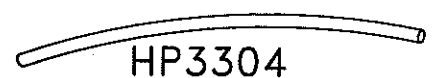
TOP END HOOP (PLAIN)
(WITH WIGGLE BASE)
CODE: BLACK



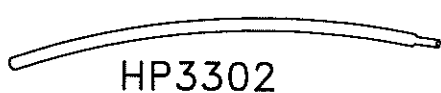
INTERMEDIATE HOOP



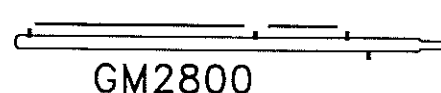
INTERMEDIATE
TOP HOOP SECTION
(PLAIN)



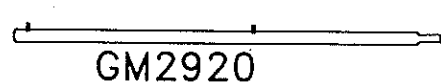
INTERMEDIATE
TOP HOOP SECTION
(SWEDGED)



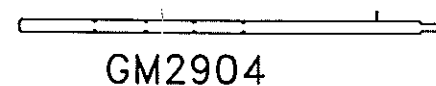
9'3" DOOR JAMB



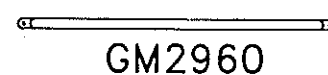
9'3" END WALL PIPE
CODE: BLUE



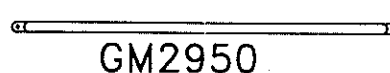
1996 POWER POLE-GM
CODE: ORANGE



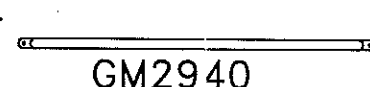
77 1/4" END PURLIN
CODE: WHITE



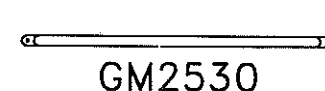
108 13/16"
END STRUT
CODE: ORANGE



94 1/8" SIDE STRUT
CODE: BLACK



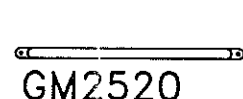
7'8" END HORIZONTAL
CODE: RED



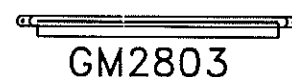
7'8" END HORIZONTAL
(WITH WIGGLE BASE)
CODE: YELLOW



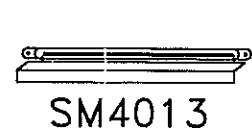
6'2" SIDE HORIZONTAL
CODE: GREEN



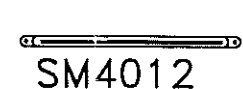
6'2" DOOR HEADER



6'2" SIDE HORIZONTAL
(WITH GUTTER AND
WIGGLE BASE)



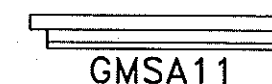
6'2" HORIZONTAL
(WITH WIGGLE BASE)
CODE: BLUE



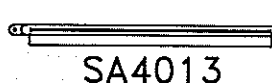
S.A. DIVIDER



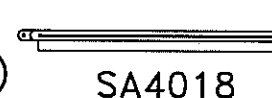
S.A. END CAP



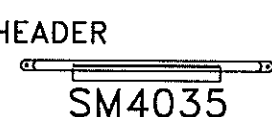
6'2" BOTTOM RAIL



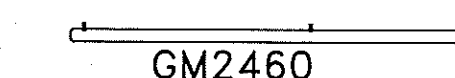
TOP RAIL
(WITH WIGGLE BASE)
CODE: BROWN



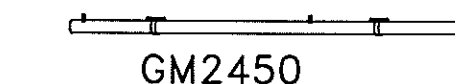
5'10 1/2" SIDE DOOR HEADER



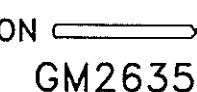
SIDE DOOR JAMB-LEFT



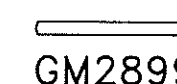
SIDE DOOR JAMB-RIGHT



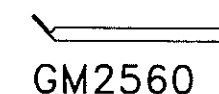
21 1/2" DOOR JAMB EXTENSION
/ REAR WALL EXTENSION
CODE: ORANGE



22 3/4" POWER POLE
EXTENSION



5'8" CORNER BRACE

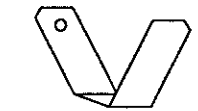


PART IDENTIFICATION

GARDEN MART 98

-- CONTINUED --

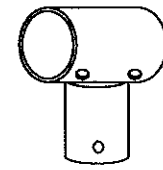
* ALL BOLTS SHOWN ACTUAL SIZE *



GM2806
RIGHT
DOOR GUIDE

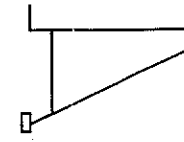


GM2807
LEFT
DOOR GUIDE



FT2038
"T" FITTING

V BRACKET



BMS1120



1/4" WING NUT



1/4" LOCK WASHER



FT2042
"Q" FITTING



FT2015
"G" FITTING



GM2970
HOOP PAD

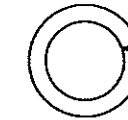
GARDEN MART BENCH



SM2433

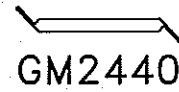


STOP TAB



5/16" LOCK WASHER

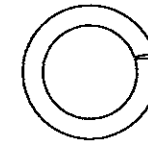
13" SIDE DOOR EXTENDER



GM2440



#12 x 3/4" SELF DRILLING SCREW

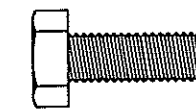


3/8" LOCK WASHER

FLEX BRACKET



FT2039



1/4" x 3/4" HEX HEAD BOLT

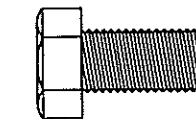


1/4" HEX NUT

SHORT SPEED HOOK



FT2061

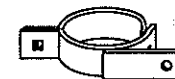


5/16" x 3/4" HEX HEAD BOLT



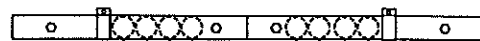
5/16" HEX NUT

S.D. HEADER FITTING



FT2090

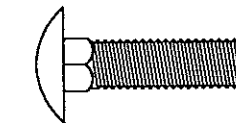
SLIDING DOOR RAIL



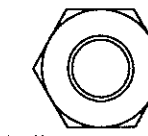
GM2802



END
VIEW



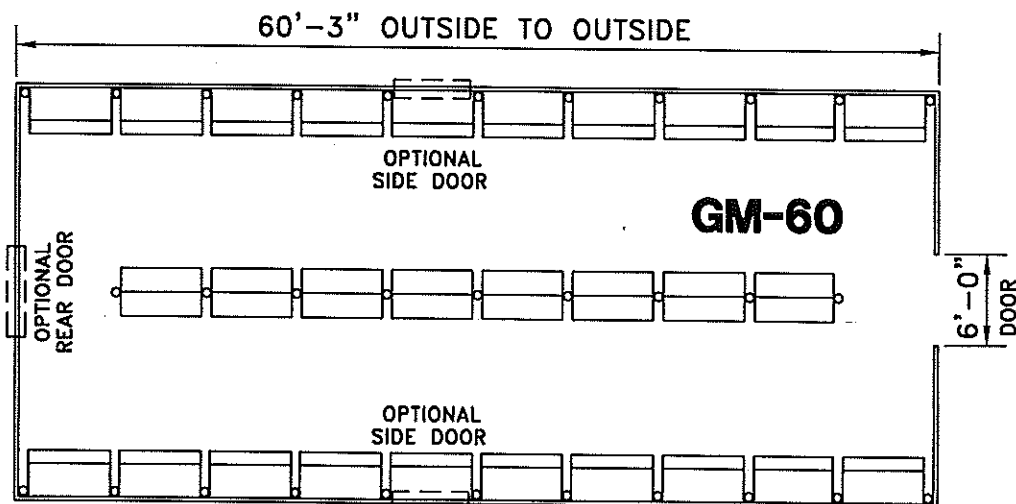
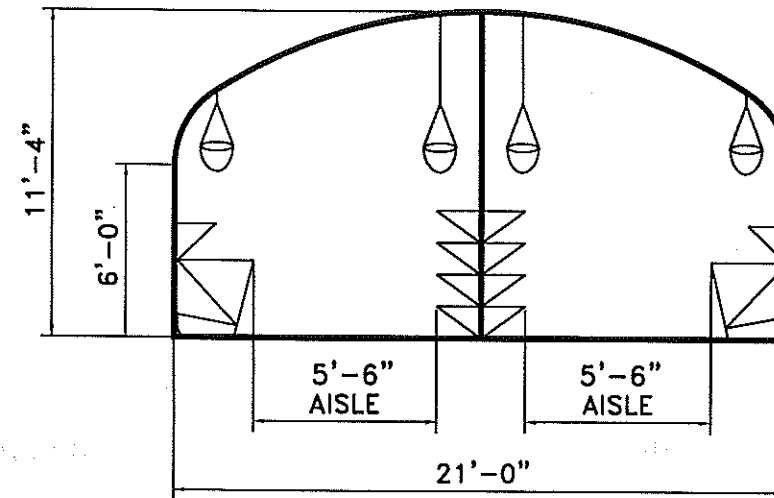
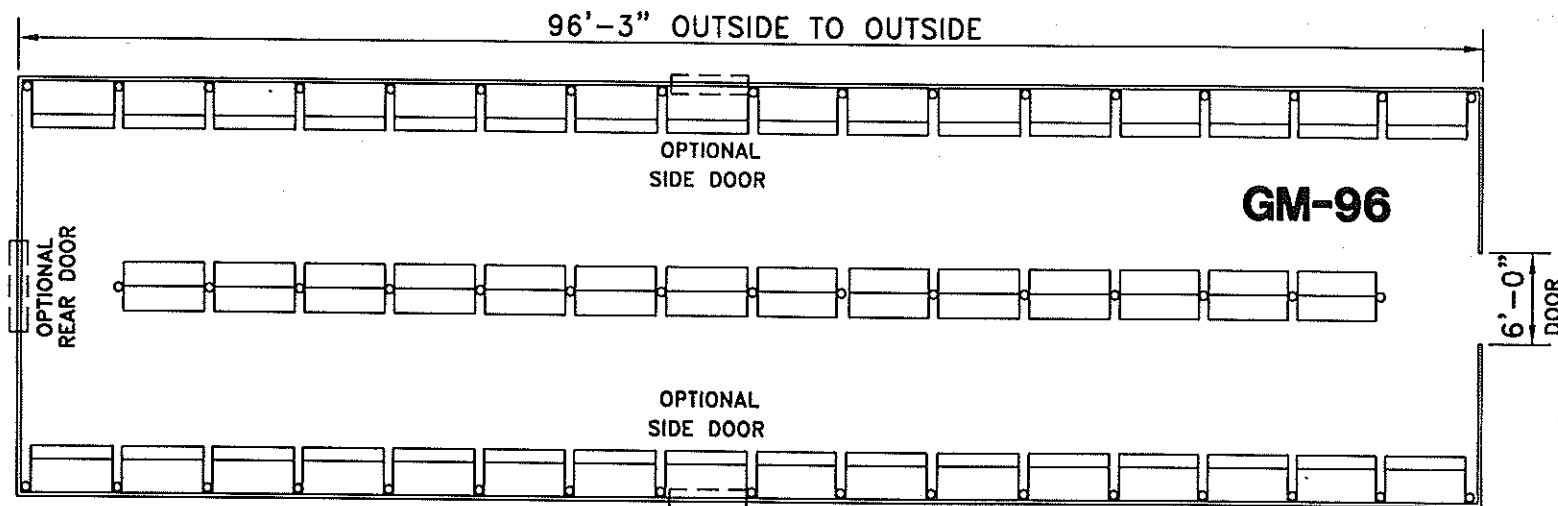
1/4" x 1" CARRIAGE BOLT



3/8" HEX NUT

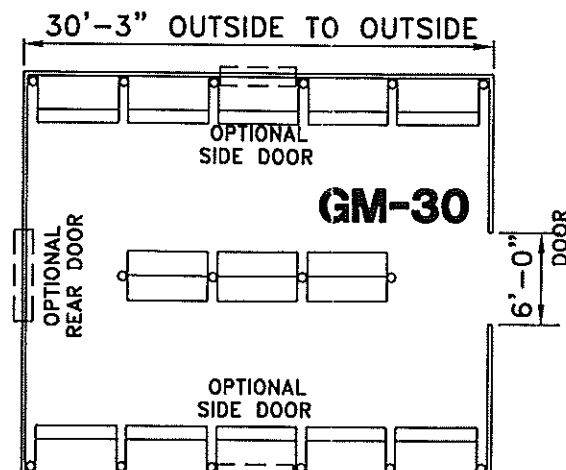
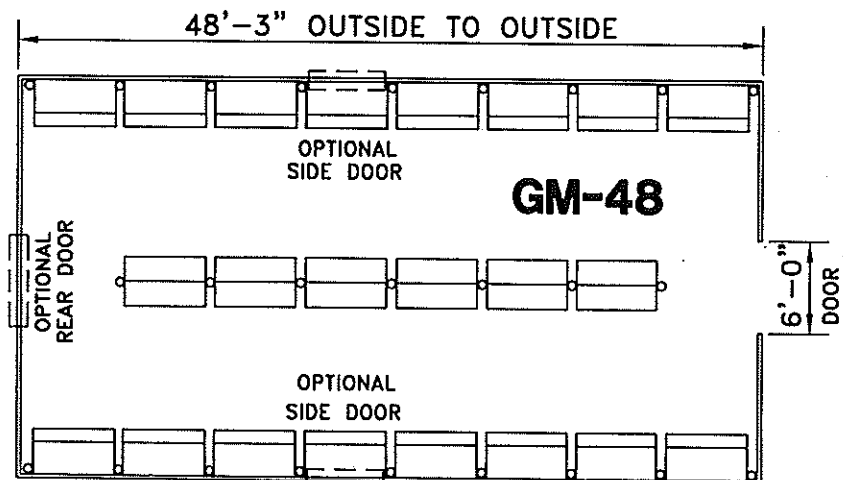
DOOR LOCATIONS

GARDEN MART 98

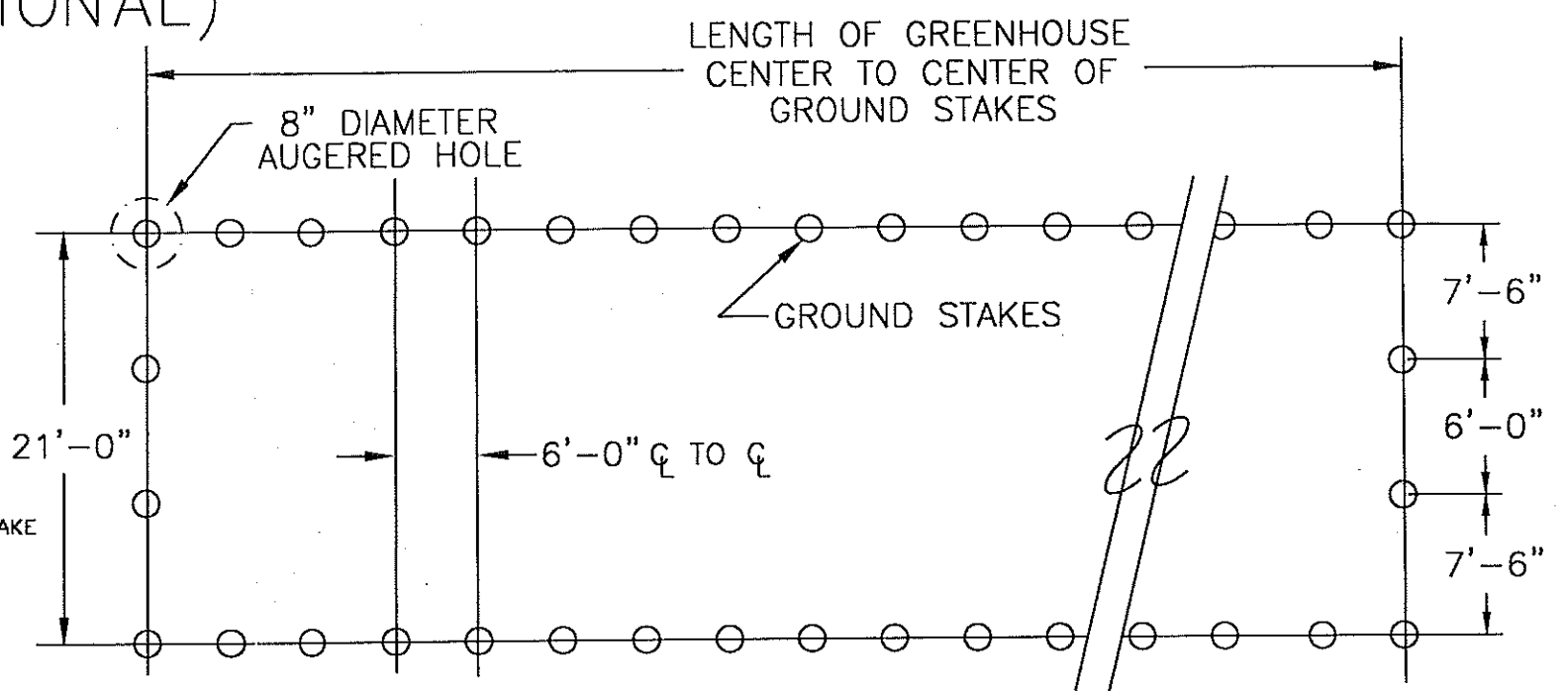
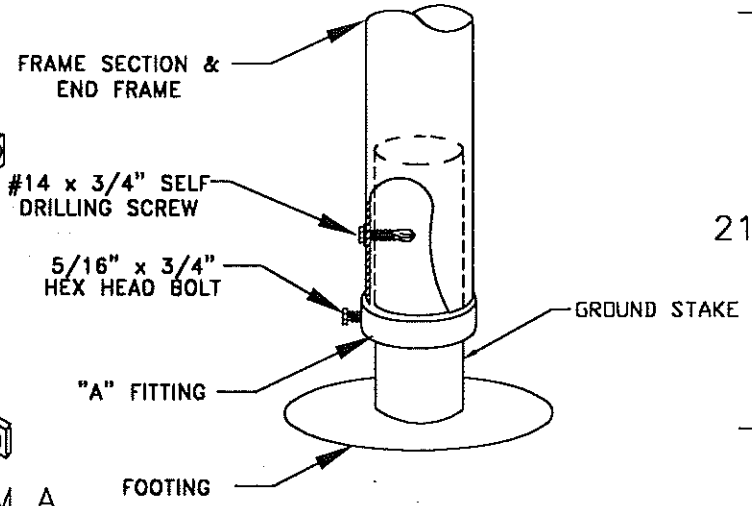
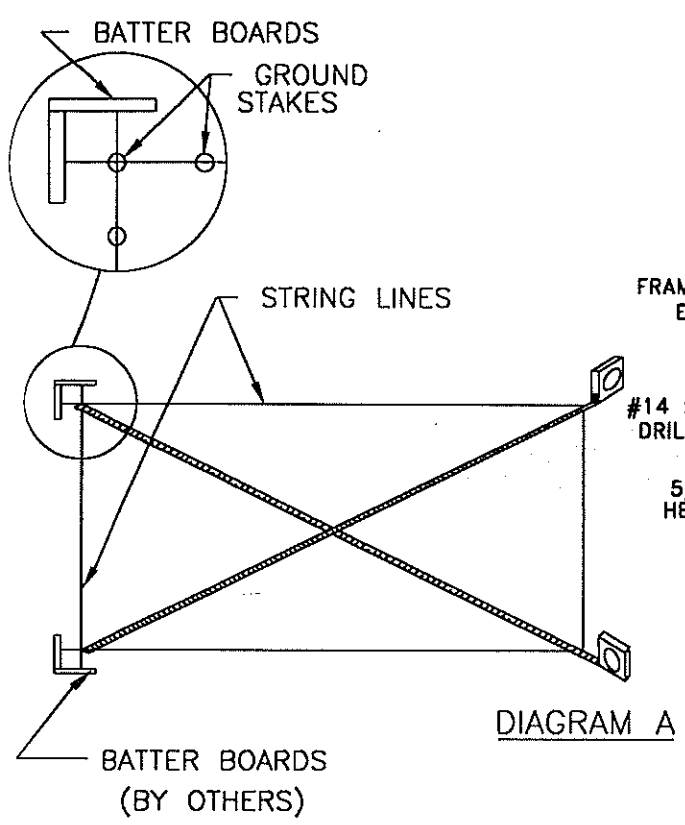


GARDEN MART Size 21' x	30'	48'	60'	96'
Total greenhouse area	630	1008	1260	2016
1020 flat display capacity	480+	840+	1080+	1800+
10" basket display @ 16" space	90	144	180	288
Total lineal feet hanging basket purlin	120	192	240	348
Number of 3'-0" x 6'-0" benches	10	16	20	32
Number of 1'-6" x 6'-0" benches	34	64	84	144
OPTIONAL PURLINS				
Front wall basket capacity	-32			
Rear wall basket capacity	-48			

NOTE: FLAT DISPLAY CAPACITY INCLUDES AREA UNDER BENCHES.



(OPTIONAL)



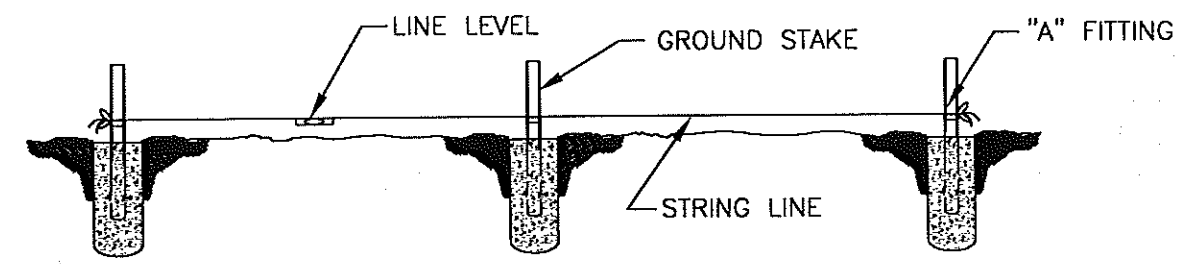
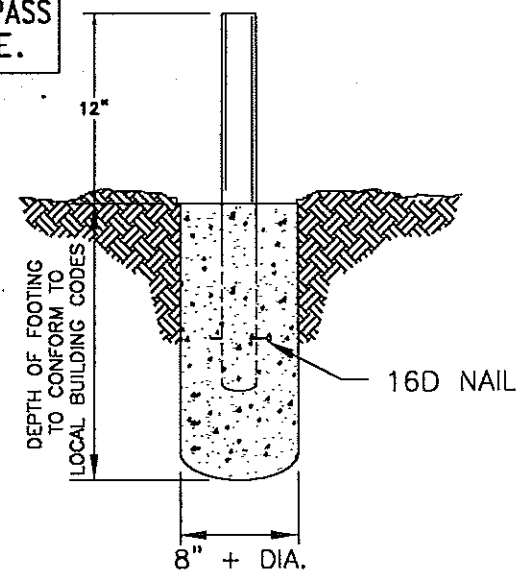
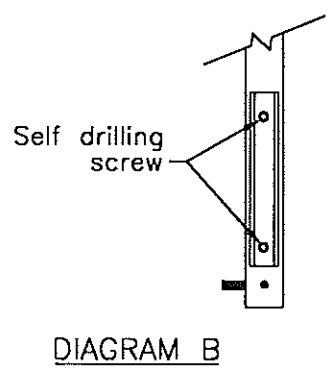
NOTE: ALL MEASUREMENTS CENTER TO CENTER OF GROUND STAKES. IT IS VERY IMPORTANT TO KEEP ALL DIMENSIONS EXACT, AS THE HORIZONTAL RAILS LEAVE LITTLE ROOM FOR ERROR.

After the greenhouse frame is completely assembled, install one #14 x 3/4" self drilling screw through the wall of ALL frames (including end frames) and into the groundstake wall for a secure lock.

IMPORTANT: DO NOT BYPASS THIS PROCEDURE.

One of the fastest ways to square up the structures location is the cross measurement method. Measure diagonally. These measurements should be the same. Once this is complete, check all four sides of the layout to see that they are the correct measurements. See DIAGRAM A.

Before raising hoops onto the ground stakes, you must remove self drilling screws from the corner hoops. This will enable the hoop to slide the entire length of the ground stake. After raising hoops you will replace these pieces on the end wall poly. See DIAGRAM B.



The first fittings you will use when erecting your greenhouse are the "A" fittings. This fitting slides over the ground stakes and will determine the height of your frames. All the fittings should be set level.

To determine fitting height, tie a string line to the first and last ground stakes. Next, level the string line with a line level, or a transit.

Fittings may now be set. Install fittings so the heads of the bolts face the inside of the greenhouse.

NOTE: IT IS IMPORTANT THAT YOU SET THE FITTINGS AS LOW AS POSSIBLE.

FRONT HOOP ASSEMBLY

GARDEN MART 98

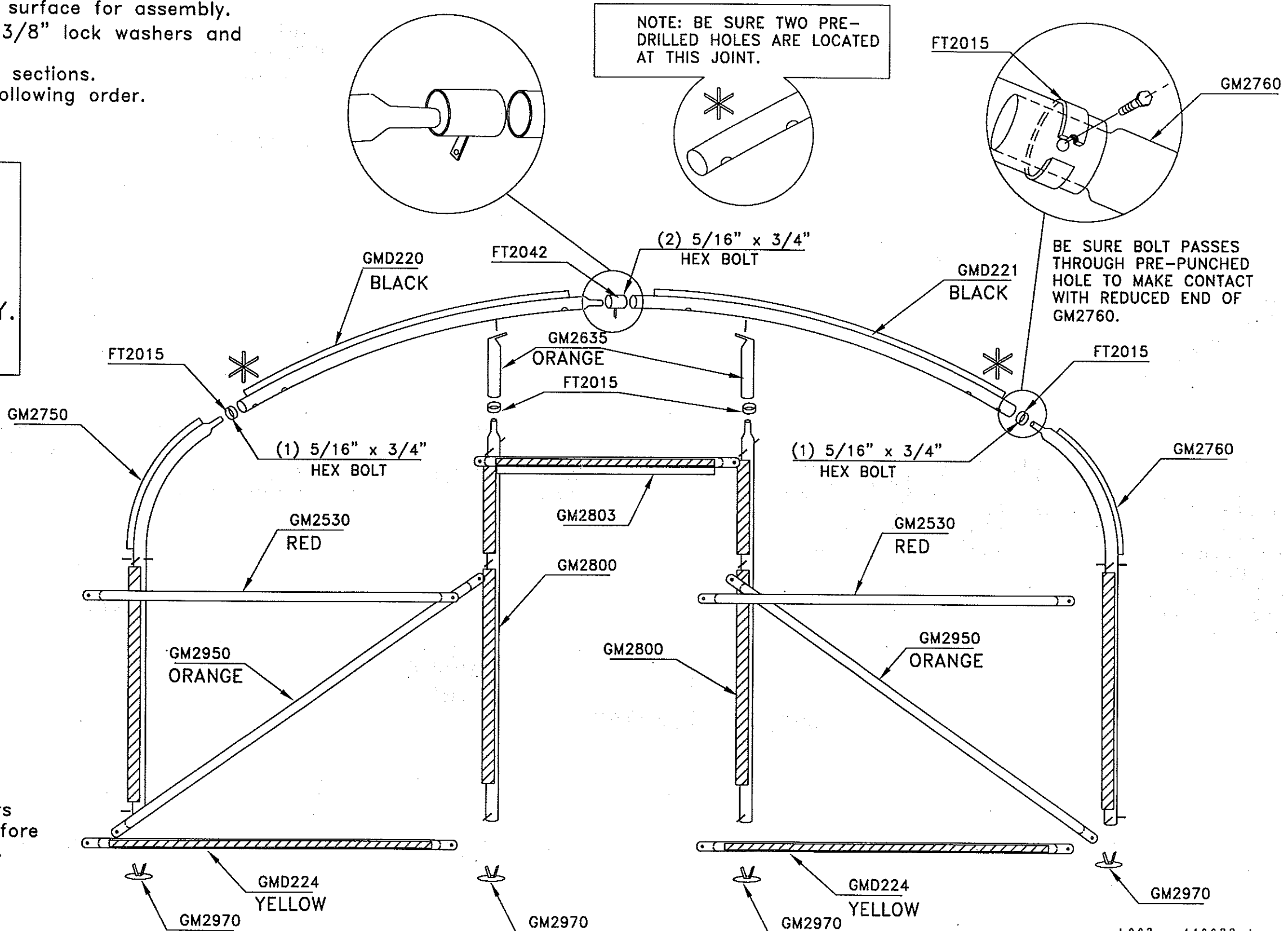
Lay out parts on a flat surface for assembly.
 NOTE: All studs require 3/8" lock washers and 3/8" nuts.
 Begin with the (4) hoop sections.
 Assemble parts in the following order.

IMPORTANT NOTE:
 BE SURE ALL WIGGLE BASE FACES UPWARD DURING ASSEMBLY. (SHADED AREAS)

ASSEMBLE IN ORDER

- GM2750
- GM2760
- GMD221 (BLACK)
- GMD220 (BLACK)
- FT2042
- (2) FT2015
- (2) GM2635 (ORANGE)
- (2) FT2015
- (2) GM2800
- (2) GM2950 (ORANGE)
- (2) GMD224 (YELLOW)
- (2) GM2530 (RED)
- GM2803
- (4) GM2970

Be sure all nuts & bolts have been tightened before raising completed hoop.

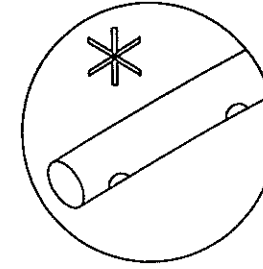


L227 112277-4

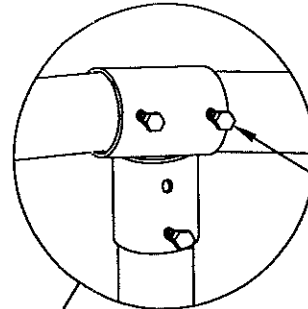
INTERMEDIATE HOOPS

GARDEN MART 98

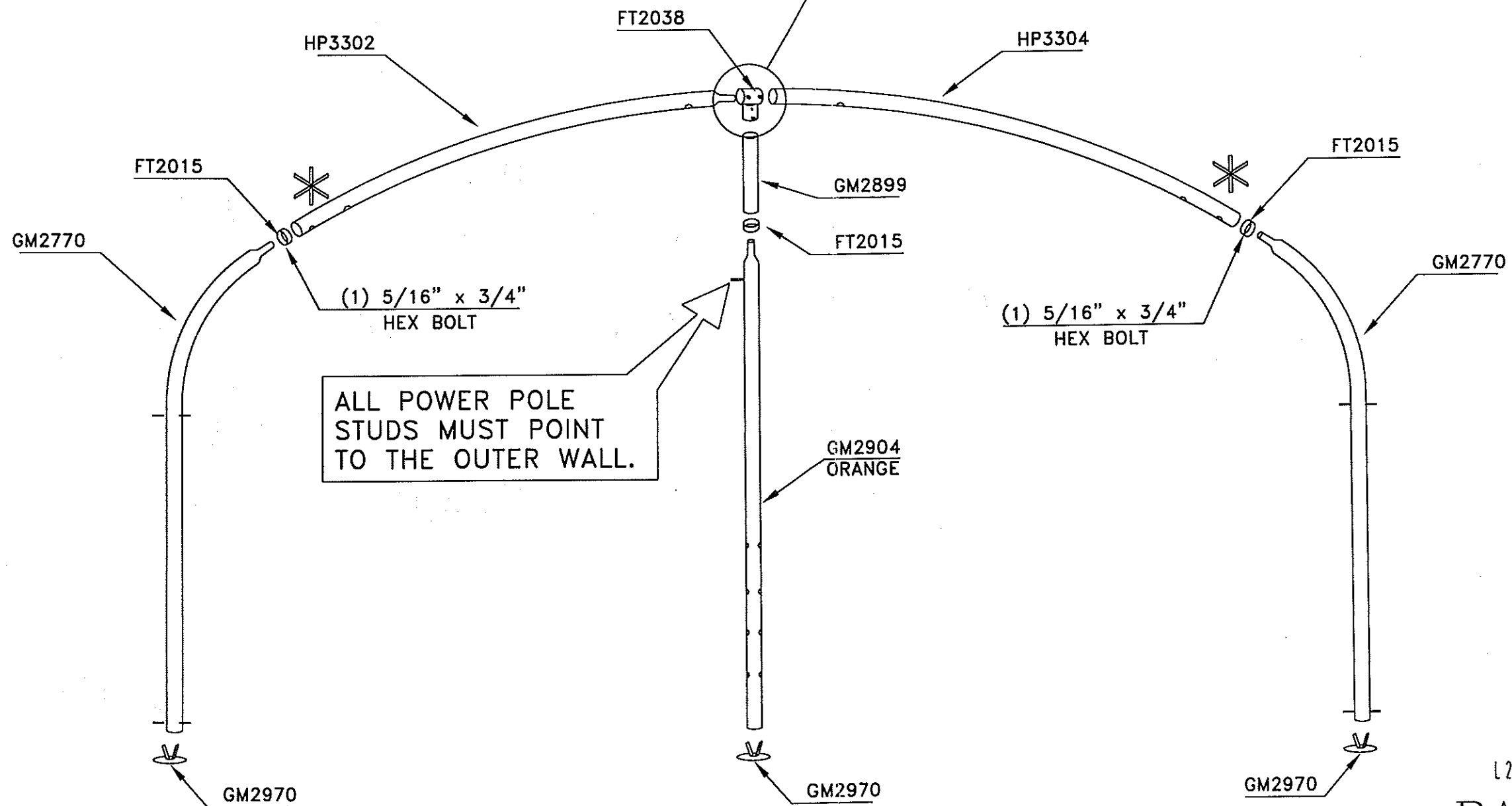
Assemble intermediate hoop as shown below.
Be sure all nuts and bolts have been tightened before raising.



NOTE: BE SURE TWO PRE-DRILLED HOLES ARE LOCATED AT THIS JOINT.



NOTE: USE ONLY (3) 5/16" x 3/4" HEX HEAD BOLTS PER FITTING

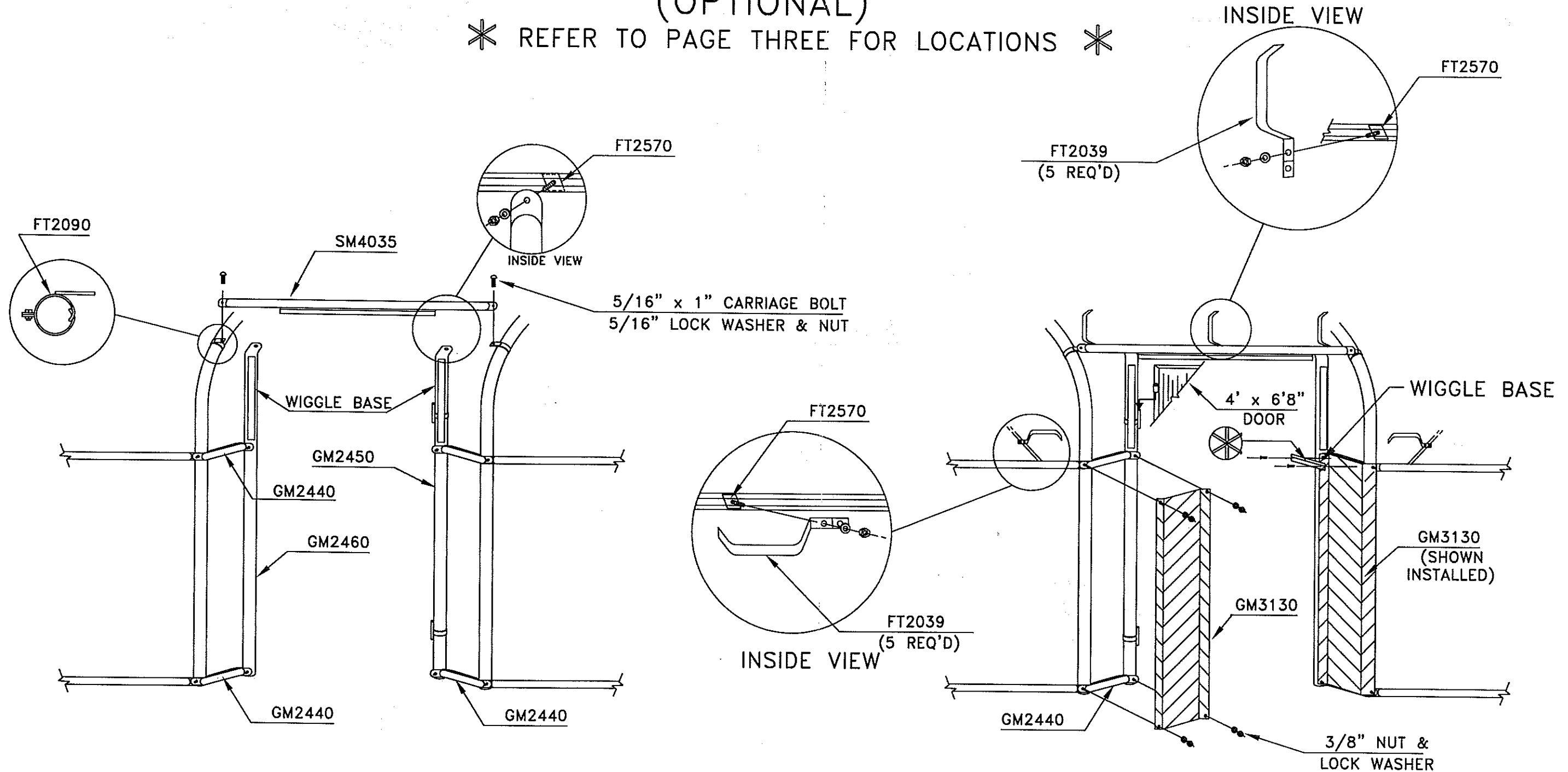


L277 112281-4

SIDE DOOR ASSEMBLY (OPTIONAL)

GARDEN MART 98

* REFER TO PAGE THREE FOR LOCATIONS *



OUTSIDE VIEW

NOTE: YOU WILL NEED A DRILL WITH A 5/16" DRIVER TO ATTACH YOUR POLY FASTENER.

A098 112287-4

STAND UP HOOPS

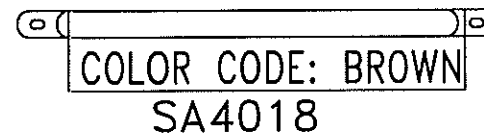
GARDEN MART 98

(SLIDE-SIDE OPTION ONLY)



IF YOU PURCHASED A GARDEN-MART WITH POLY-VENT, REFER TO PAGE 18 THROUGH 21. THEN RETURN TO PAGE 9.

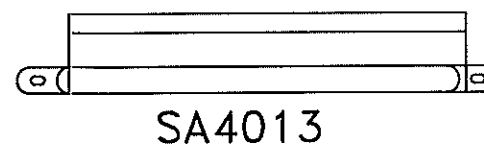
S.A. TOP RAIL



GMSA10
S.A. DIVIDER



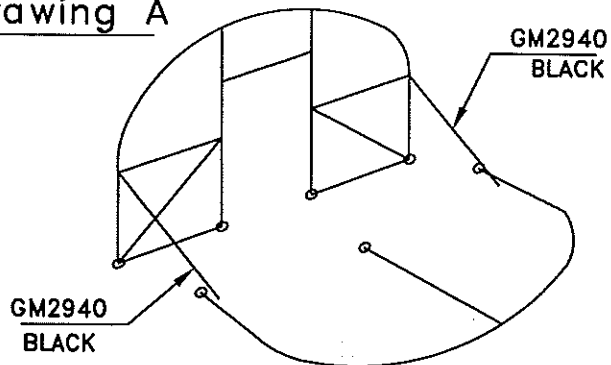
S.A. BOTTOM RAIL



GMSA11
S.A. END CAP

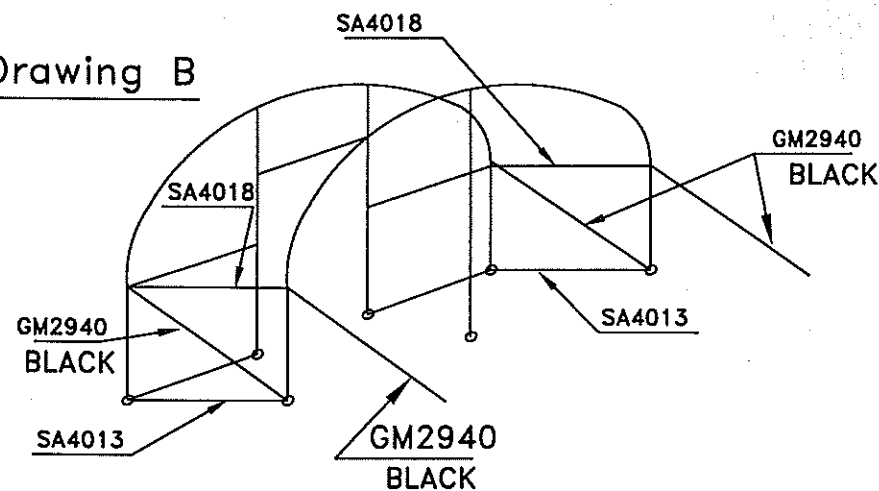


Drawing A



Raise front hoop into upright position. Then, install two part GM2940 on the inside studs to hold upright. (see drawing A)

Drawing B

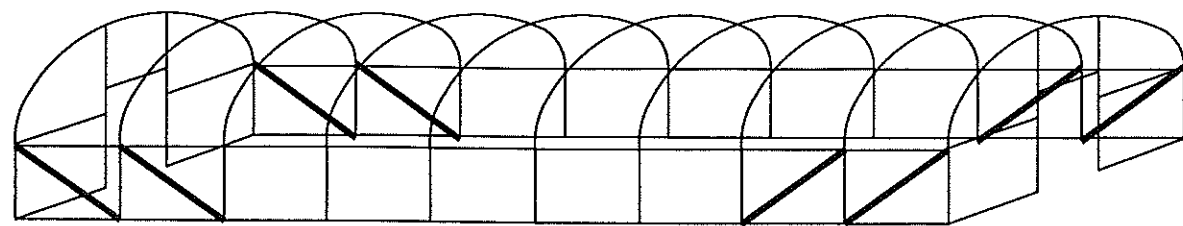


Stand up intermediate hoop (2nd hoop) and attach part SA4018 (on the outside) to connect the two hoops. Install part SA4013 to bottom studs and finger tighten nuts to intermediate hoop. Attach part GM2940

Once the two hoops are standing you will easily be able to continue standing intermediate hoops by attaching the part SA4013 before the next hoop is stood up. Repeat the same steps for the rest of the hoops.

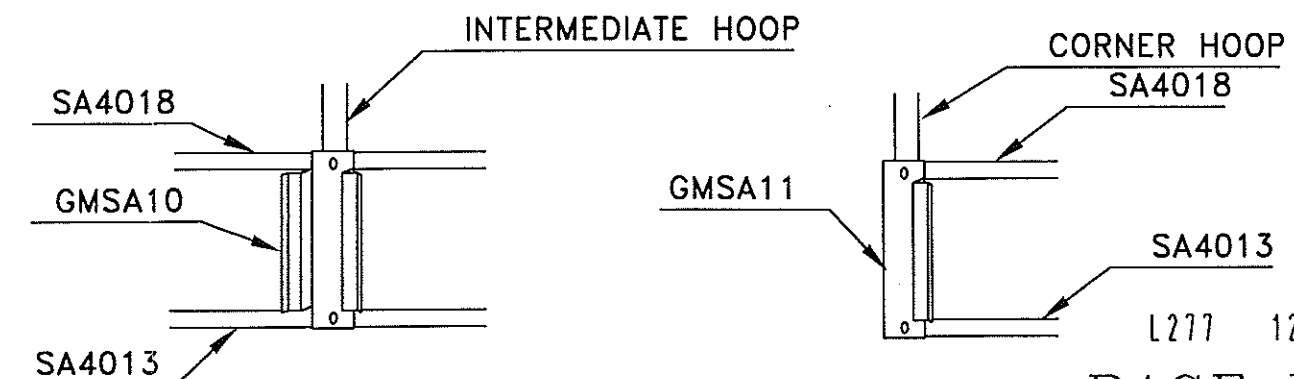
You need to install two part GM2940 per corner. See drawing C.

Drawing C



Before tightening down the rails, remove the nuts, and attach a GMSA10 on the outside of each rail intersection. (see drawing D) These are used as stops for your Slide sides. Also, you need to attach a GMSA11 to each corner.

Drawing D



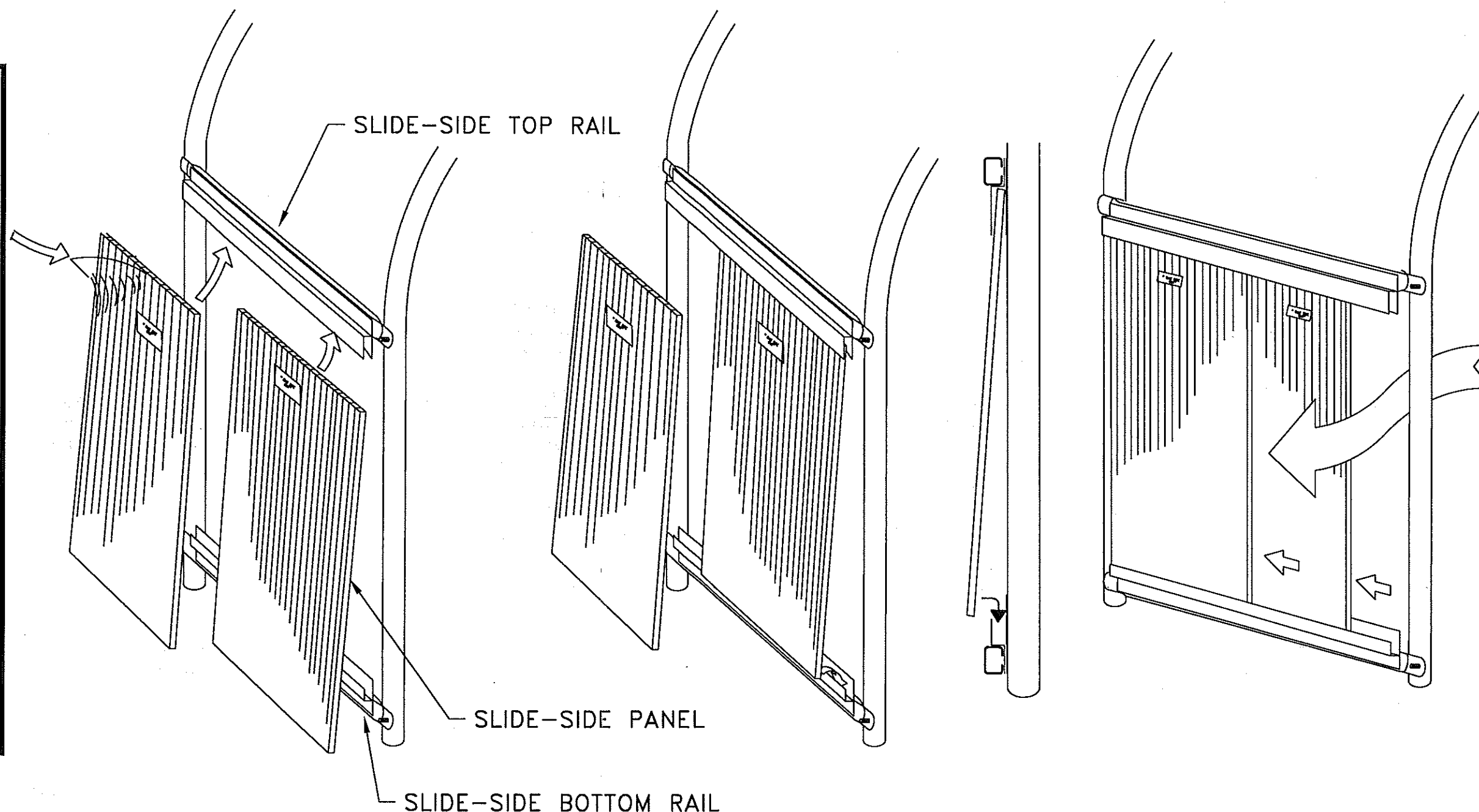
L277 122316-4

SLIDE-SIDE PANEL INSTALLATION
(SLIDE-SIDE OPTION ONLY)

GARDEN MART 98



BEFORE YOU INSTALL SLIDE-SIDE PANELS, REMOVE PROTECTIVE PLASTIC SHEETING. THIS SHEETING MAY BE LOCATED ON BOTH SIDES OF THE PANEL. ALSO NOTE THE "THIS SIDE OUT" LABEL ON ALL PANELS. THE LABEL MUST FACE TO THE OUTSIDE OF THE STRUCTURE IN ORDER TO PREVENT SUN DEGRIGATION.



Install two SLIDE-SIDE panels per opening. Insert the top edge of the panel into the channel on the upper rail, and push up. While maintaining upward pressure set the bottom edge into the channel on the bottom rail. To allow natural ventilation, simply slide one panel over the other or remove the panels completely.

L227 122317-4

END HOOP ASSEMBLY

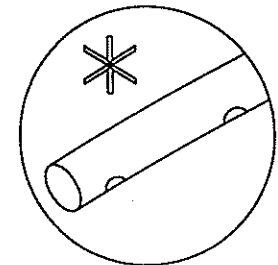
GARDEN MART 98

If you have a door at both ends of your GARDEN MART, see PAGE FIVE. Otherwise, continue.

Assemble parts in the following order:
Begin with the (4) hoop sections,

- GM2750 (BLACK)
- GM2760 (BLACK)
- GMD221 (BLACK)
- GMD220 (BLACK)
- FT2042
- (2) FT2015
- (2) GM2635 (ORANGE)
- (2) GM2920 (BLUE)
- (2) FT2015
- (2) GM2950 (ORANGE)
- (4) GMD224 (YELLOW)
- (2) SM4012 (BLUE)
- (4) GM2970

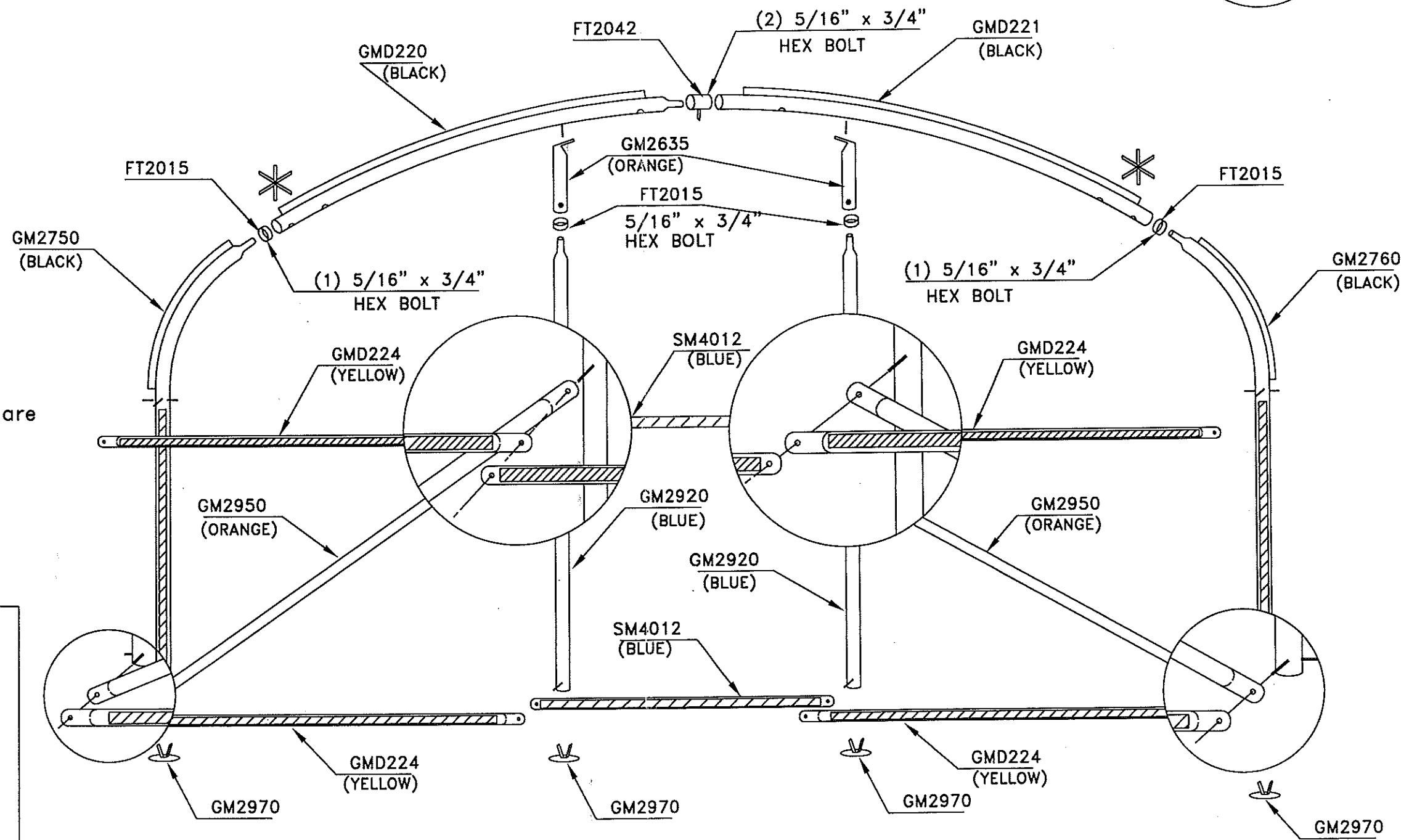
NOTE: BE SURE TWO PRE-DRILLED HOLES ARE LOCATED AT THIS JOINT.



Be sure all nuts & bolts are tightened before raising completed hoop.

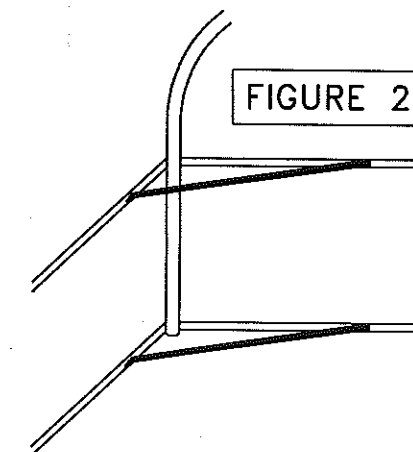
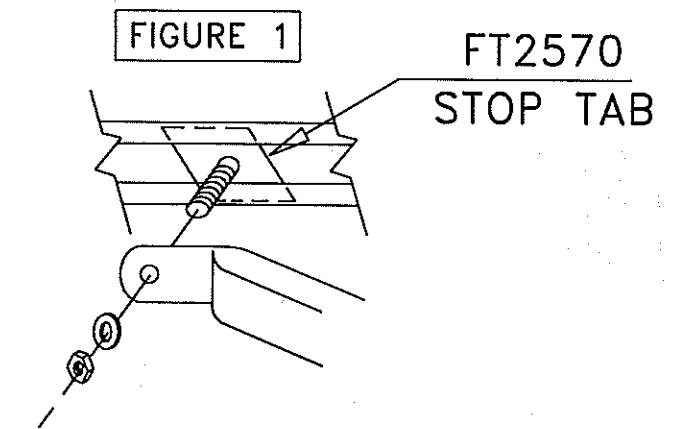
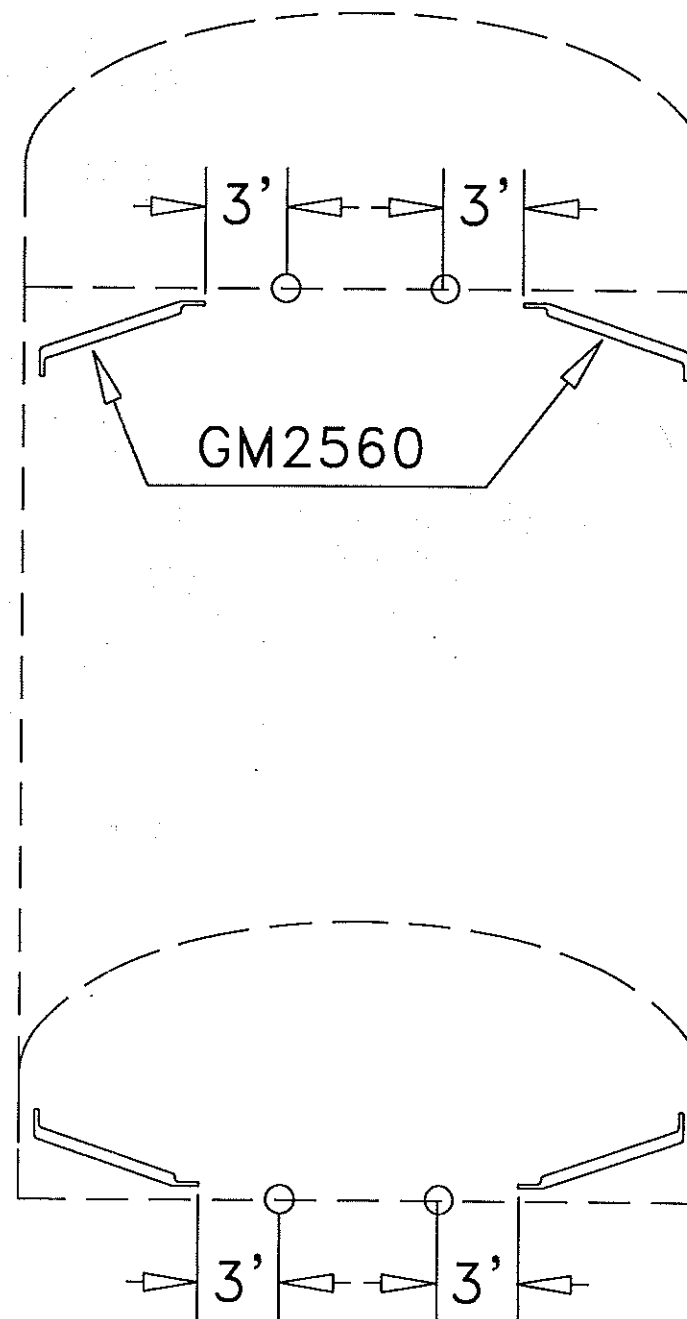
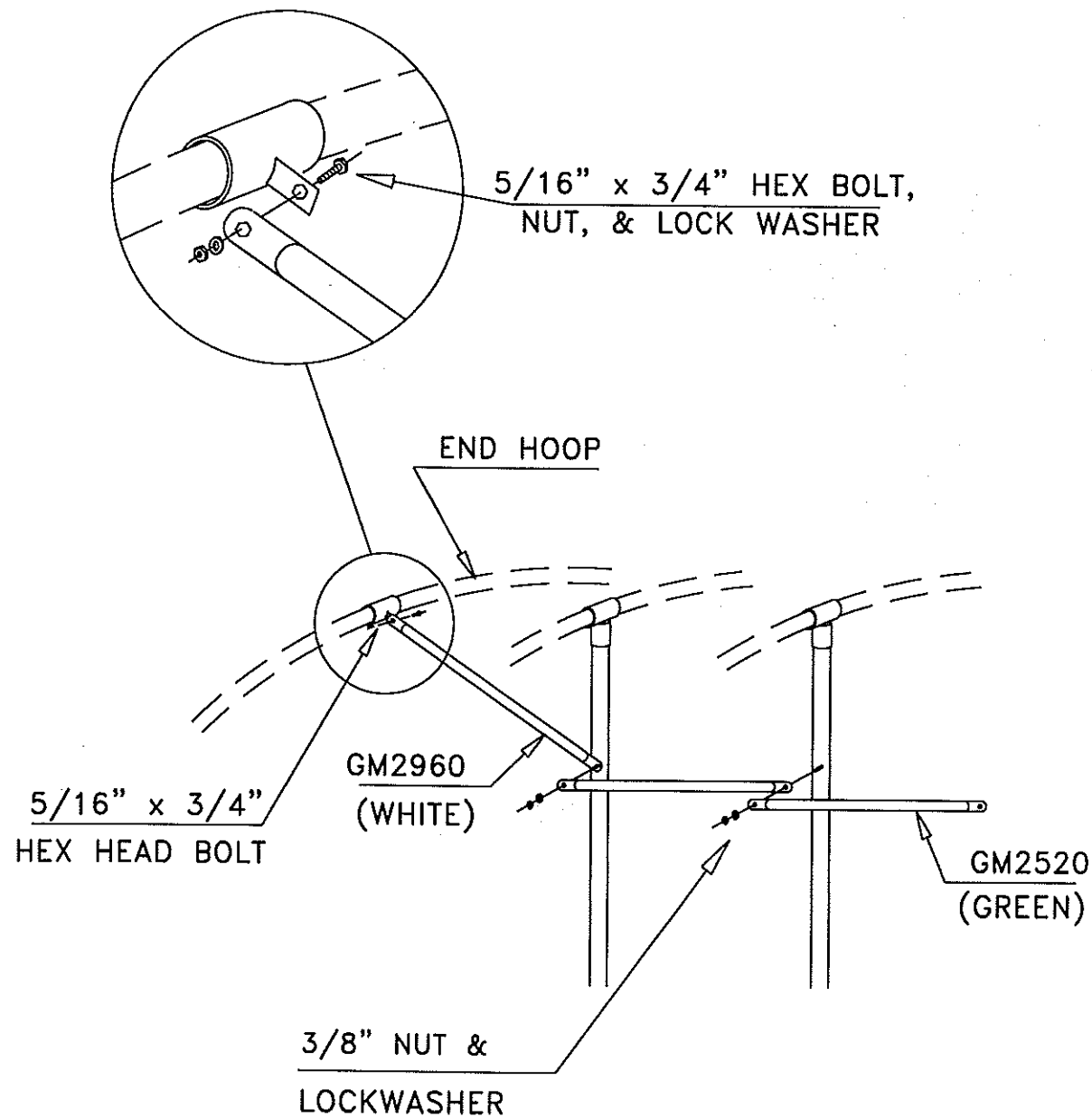
When all your hoops are standing. Go back and tighten all bolts securely.

IMPORTANT NOTE:
BE SURE ALL POLY FASTENER FACES TO THE OUTSIDE OF THE GARDEN MART. (SHADED AREAS)



Install part GM2960 and GM2520 as shown in the drawing below. You will install part GM2960 at each end of your GARDEN MART. All of the middle parts are GM2520. Use the 5/16" X 3/4" hex head bolt for fastening the GM2960 to each end fitting.

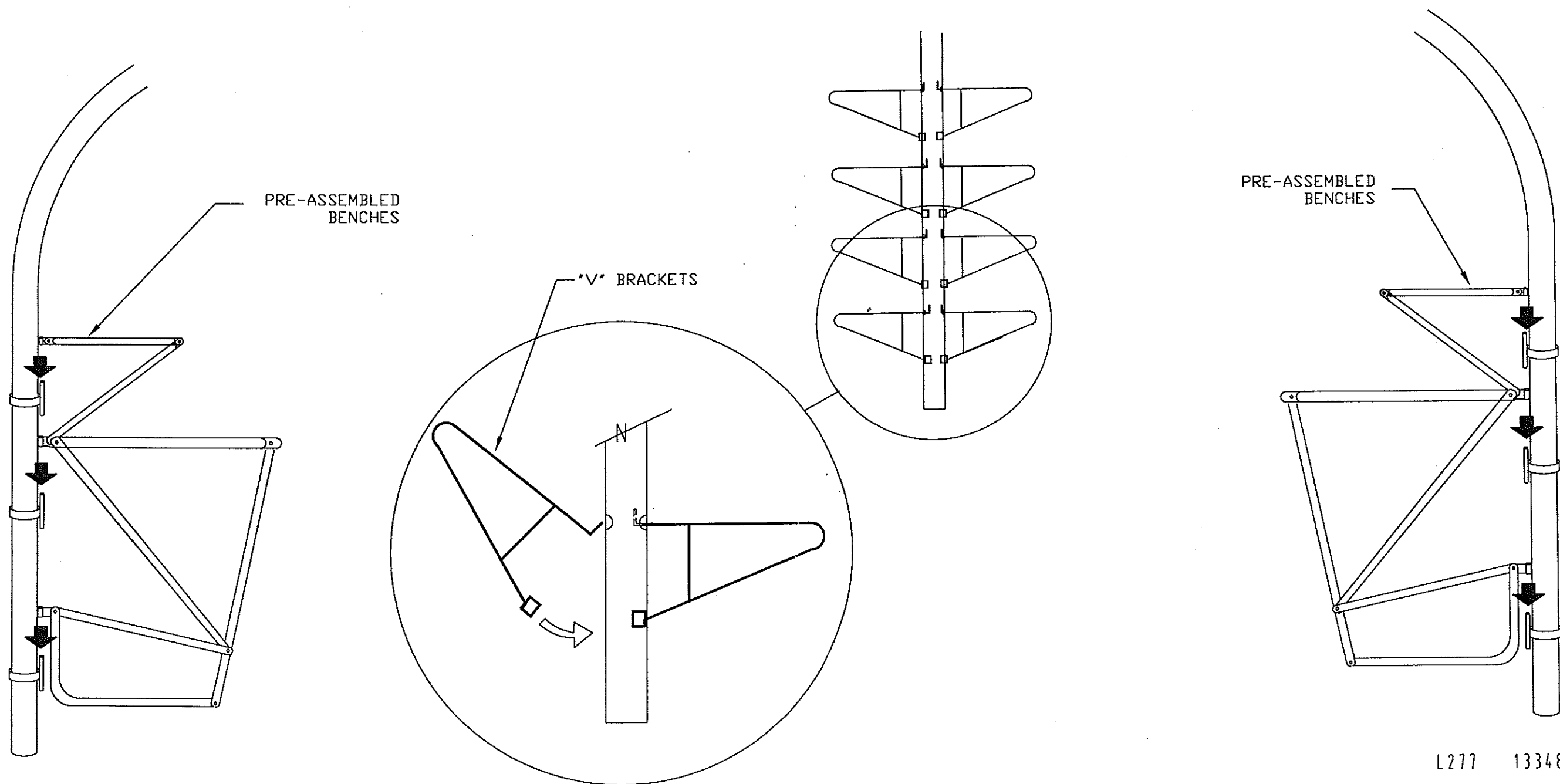
Install (8) corner braces (part GM2560). You will use stop tabs, 5/16" nuts, and a 5/16" lock washer to hold this part to the rail. (FIGURE 1) Corner braces will be installed on the upper and lower rails as shown in FIGURE 2.



"V" BRACKET ASSEMBLY

GARDEN MART 98

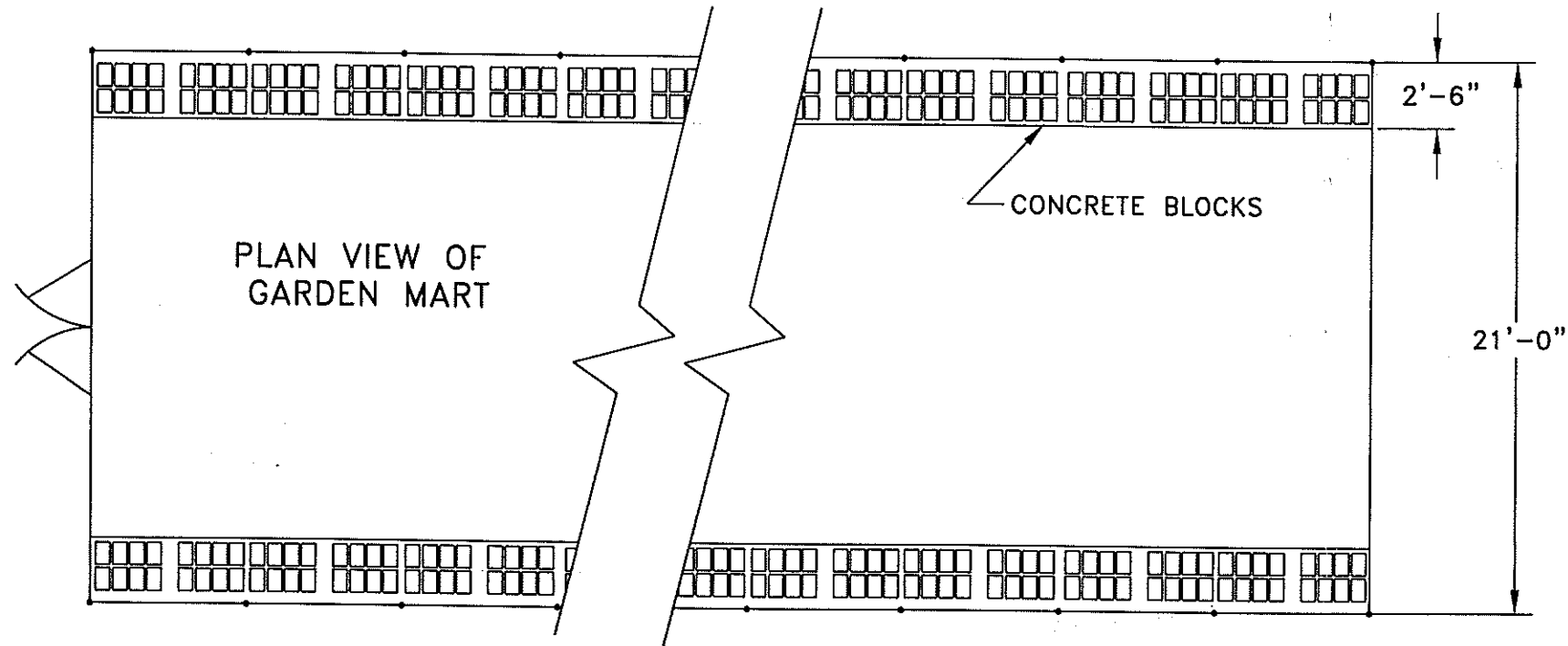
Side benches come pre-assembled. You simply remove from the carton and slip over the pre-installed pins.
Next, install the V-BRACKETS. Start assembly at the bottom inserting V-BRACKETS into the pre drilled holes.



L277 13348-5

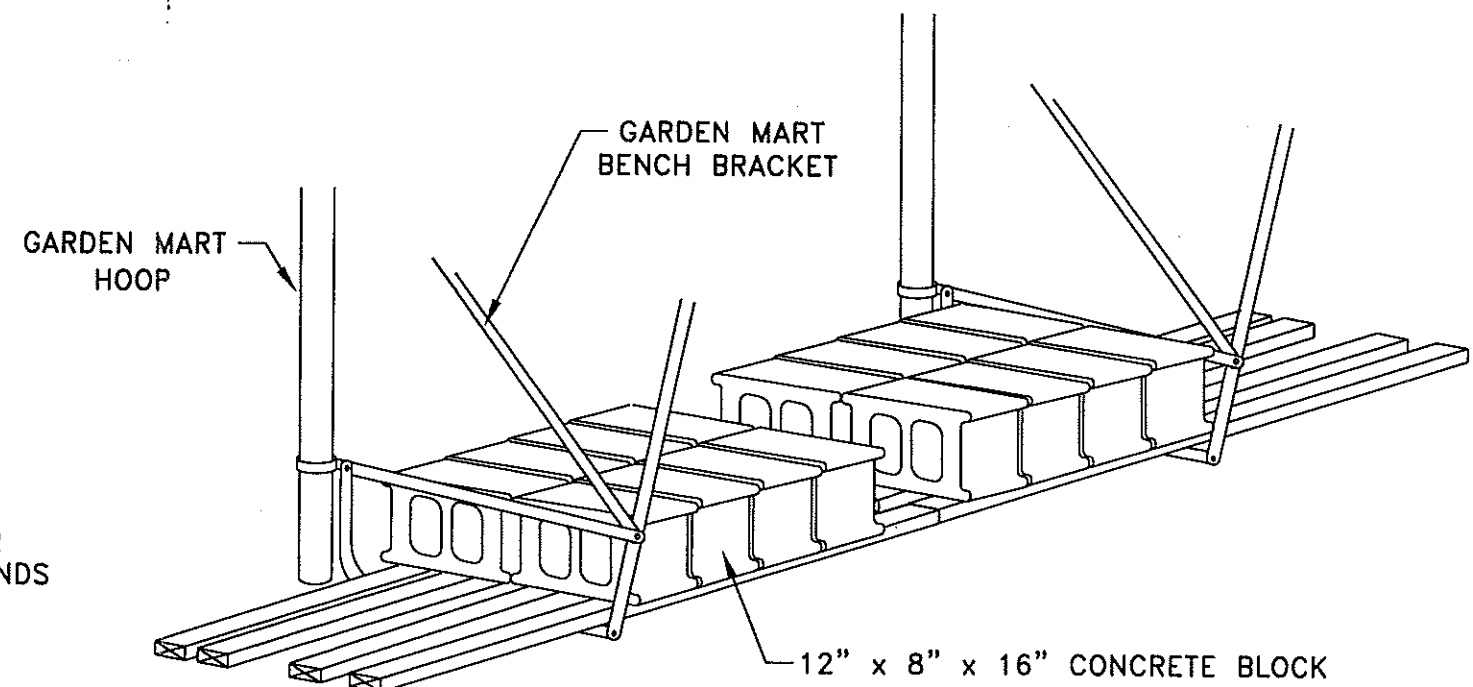
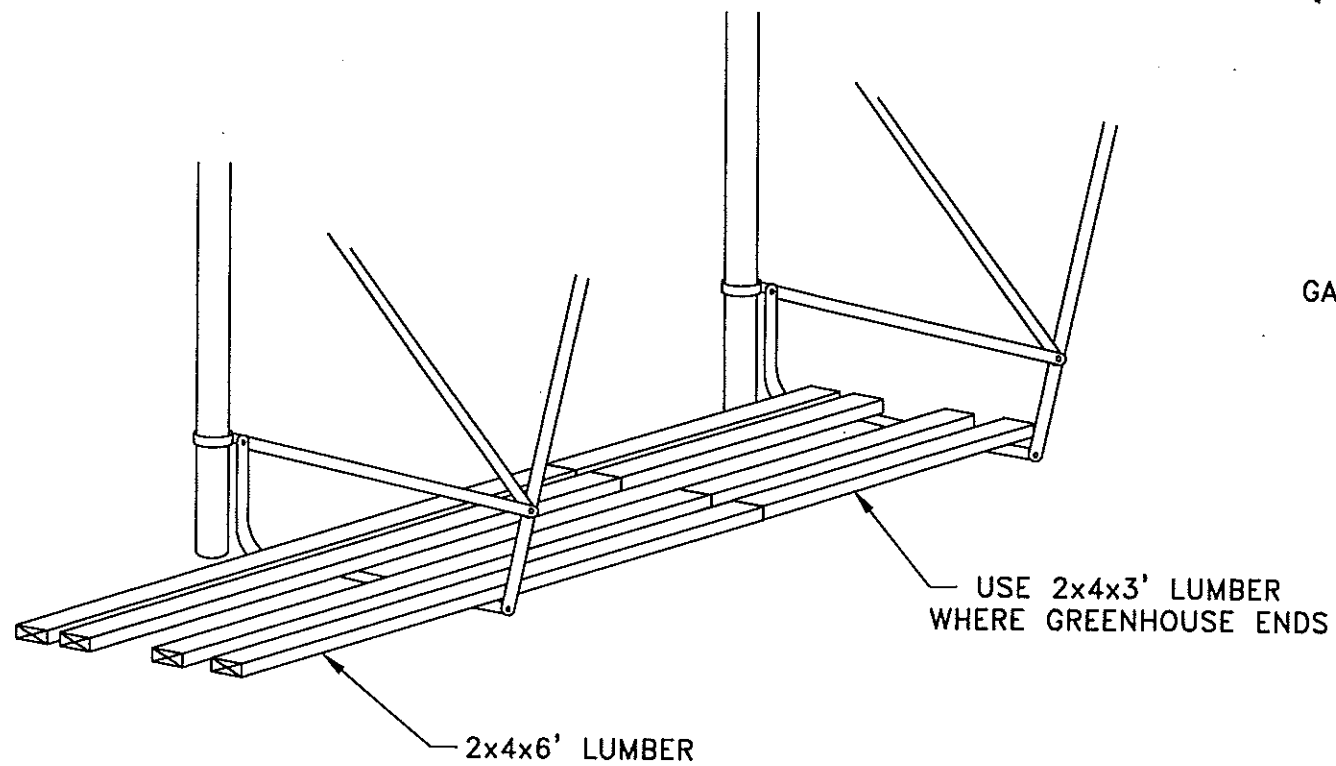
CONCRETE BLOCK INSTALLATION (OPTIONAL)

GARDEN MART 98



	BLOCK COUNT	2x4x6 COUNT	2x4x3 COUNT	TOTAL WEIGHT
GM-30	160	32	16	8,000
GM-48	256	56	16	12,800
GM-60	320	72	16	16,000
GM-96	512	120	16	25,600

EACH BLOCK = 50 POUNDS



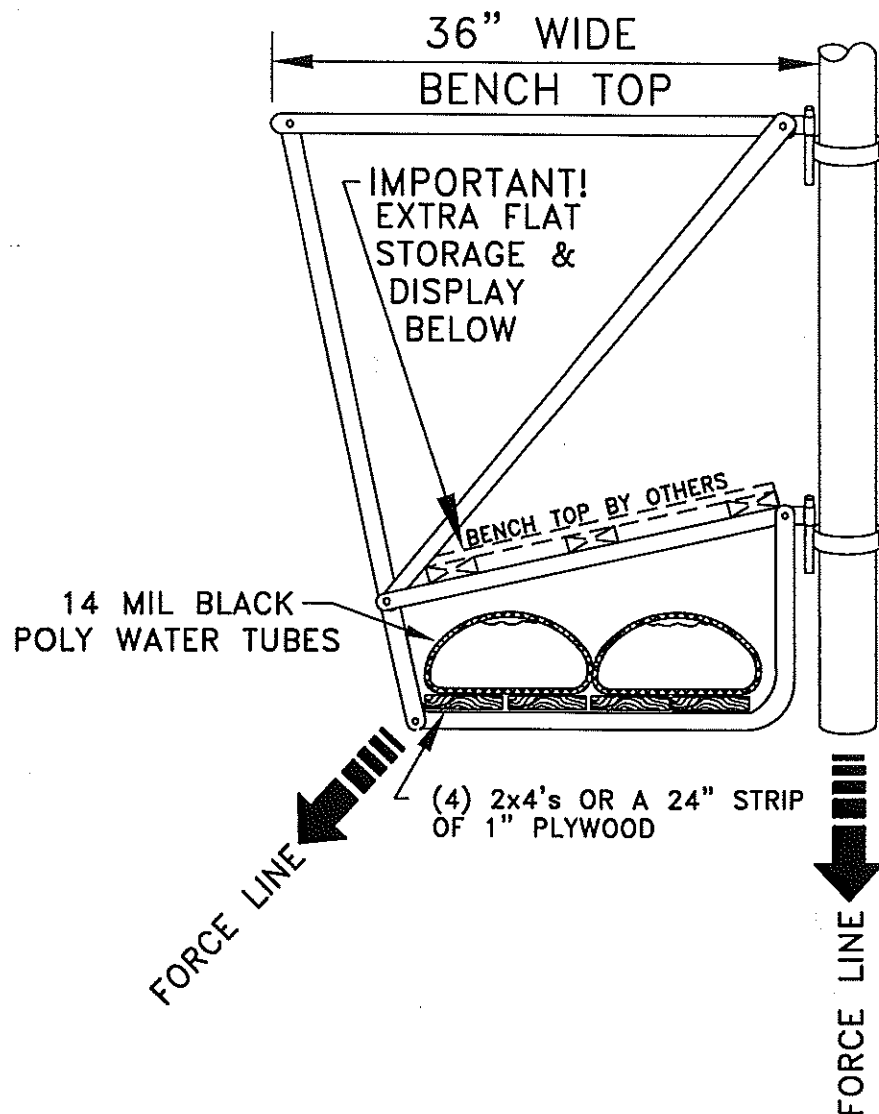
BENCH VIEW

A138 112295-4

PAGE THIRTEEN

"GARDEN MART" WATER WEIGHTS

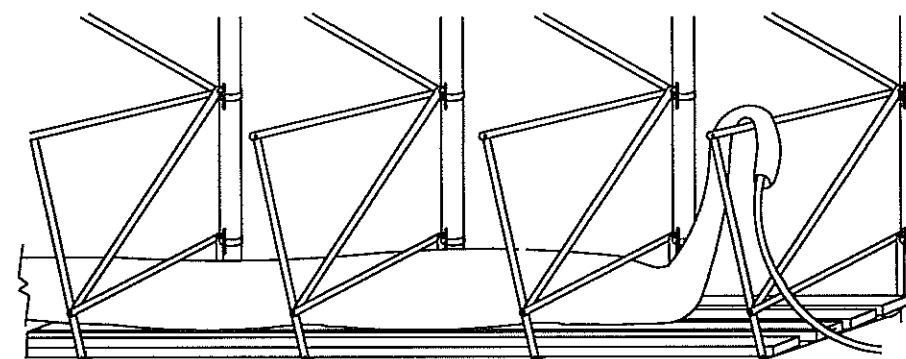
MODEL GM-30	4,000 POUNDS OF WATER
MODEL GM-48	6,000 POUNDS OF WATER
MODEL GM-60	8,000 POUNDS OF WATER
MODEL GM-96	12,000 POUNDS OF WATER



IMPORTANT NOTE:

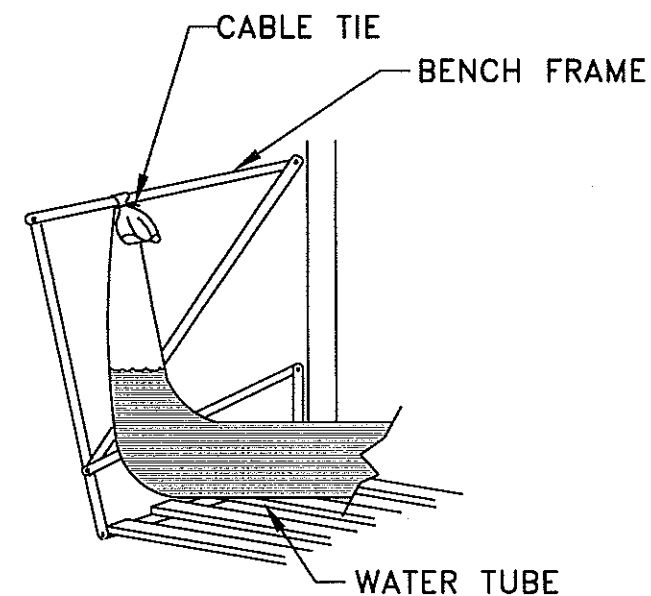
LUMBER SUCH AS 2 x 4'S
OR 1" THICK PLYWOOD
MUST BE USED TO HELP
CONCENTRATE WATER TUBE
WEIGHT OVER THE BENCH FRAMES.

**DIVERTING FROM THIS
PROCEDURE CAN CAUSE
SERIOUS DAMAGE TO YOUR
STRUCTURE UNDER WINDY
CONDITIONS.**



SIDE VIEW SHOWING LOCATION OF WATER TUBE

Unroll the black plastic water tubes and place them on top of the boards. Drape the open end up over the end bench frame and use a garden hose to fill the tubes. After the water tube is full, secure to the bench frame with large black cable ties as drawing indicates.

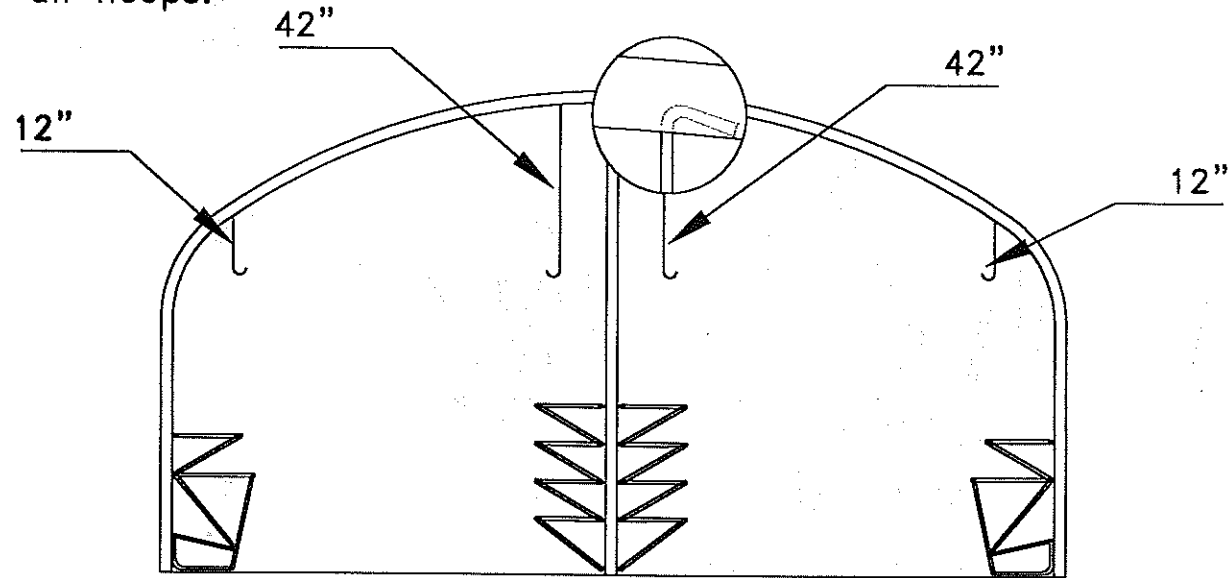


After the bench frames are installed, lay some common boards (2 x 4's or 1" plywood) on top of the lower bench tube. These will concentrate the weight of the water directly onto the bench tube.

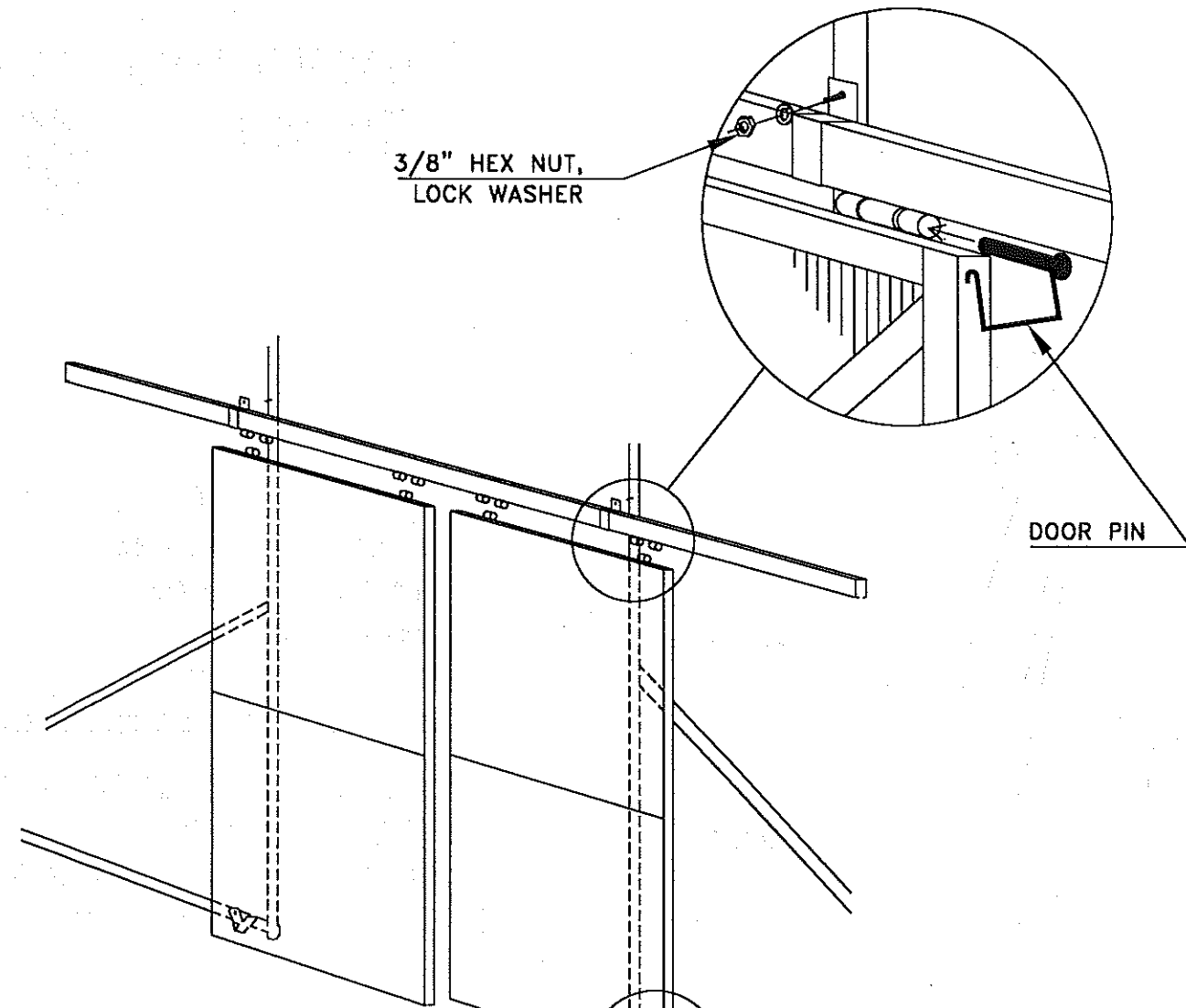
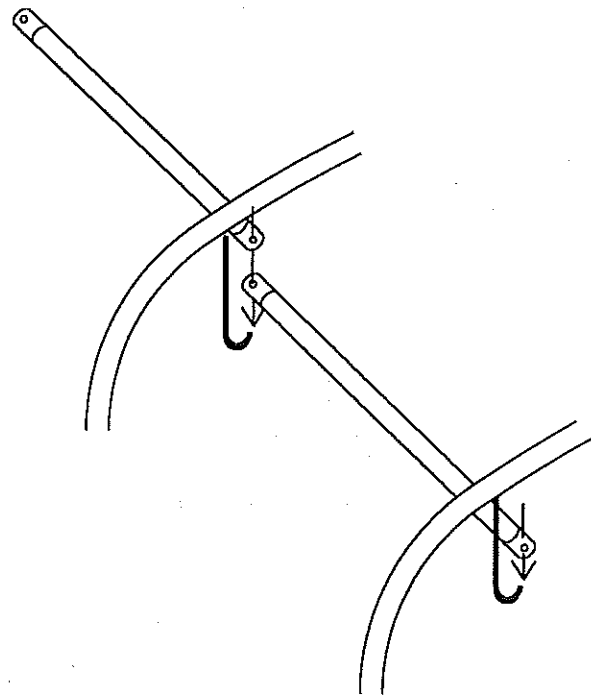
BASKET HOOPS & ROLLING RAIL AND DOORS

GARDEN MART 98

Install 12" and 42" BASKET PURLIN HOOKS. Simply insert the L shaped end of the hook into the pre-drilled holes located on all hoops.

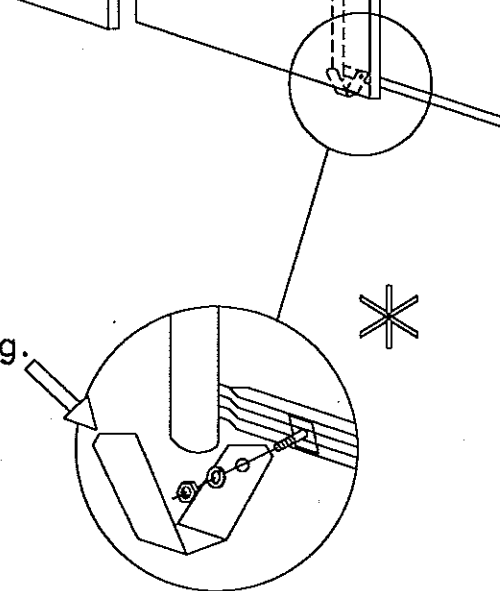


Next, install basket purlins. Each purlin is 6'2" long and simply hangs on the basket hooks. See drawing below.



INSIDE VIEW

* IMPORTANT: Place door guides as close to the door as possible. Also, front lip on door guides must angle towards the door opening.



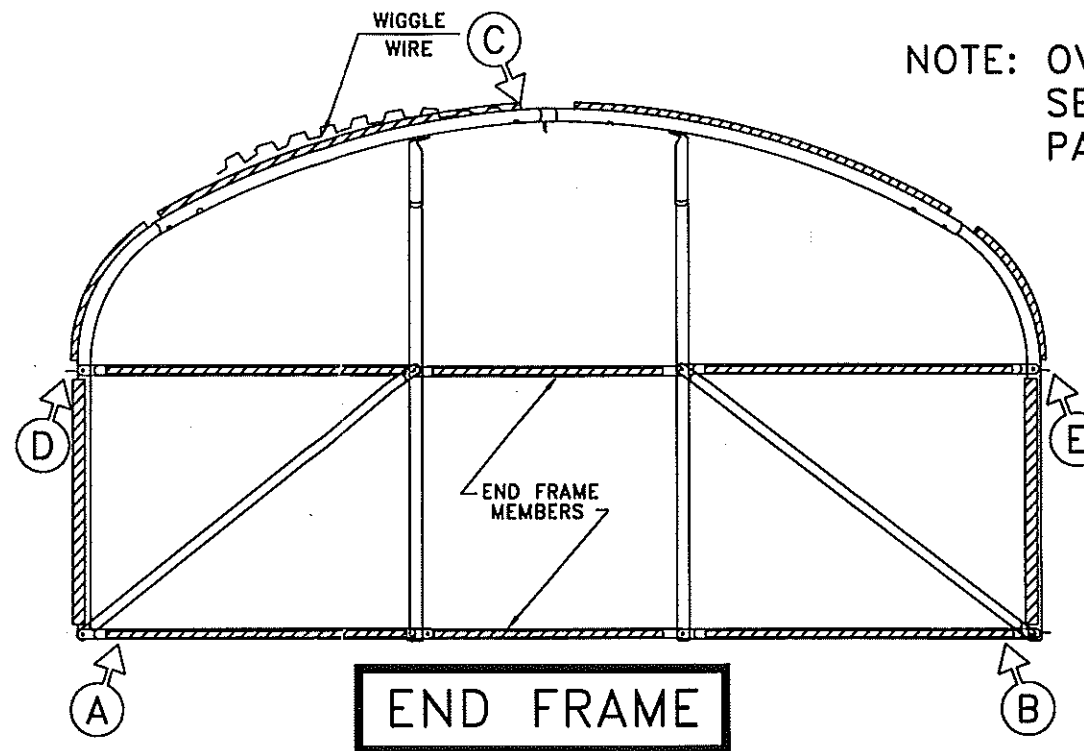
END FRAME WITH NO DOOR

Lay out the wiggle wire sections so they are handy. Unroll poly on the ground next to end hoop.

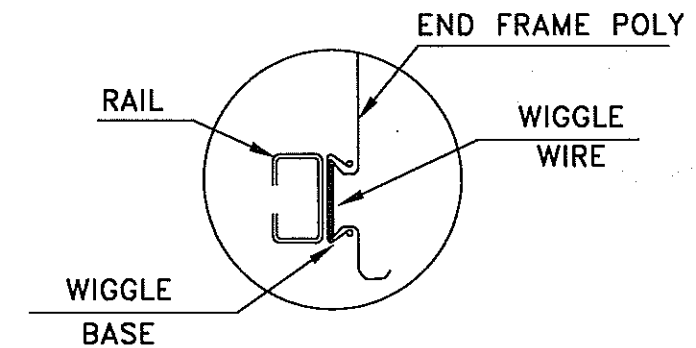
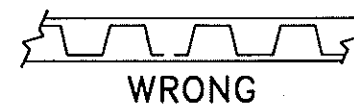
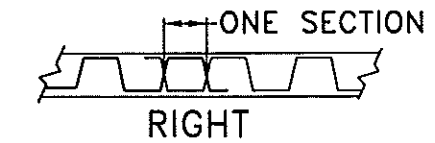
Using the edge of the poly as a guide, start installing wiggle wire at point A, and continue along the bottom to point B.

Next, attach wiggle wire starting at point D and continue horizontally to point E.

Then, lift poly to top of hoop and attach a 6' wiggle wire at point C. Tensioning poly as you go, continue down the left side to the bottom of the hoop. Then, go back to point C and finish down the other side.



NOTE: OVERLAP WIGGLE WIRE ONE SECTION. BE SURE THE PATTERN IS REVERSED.

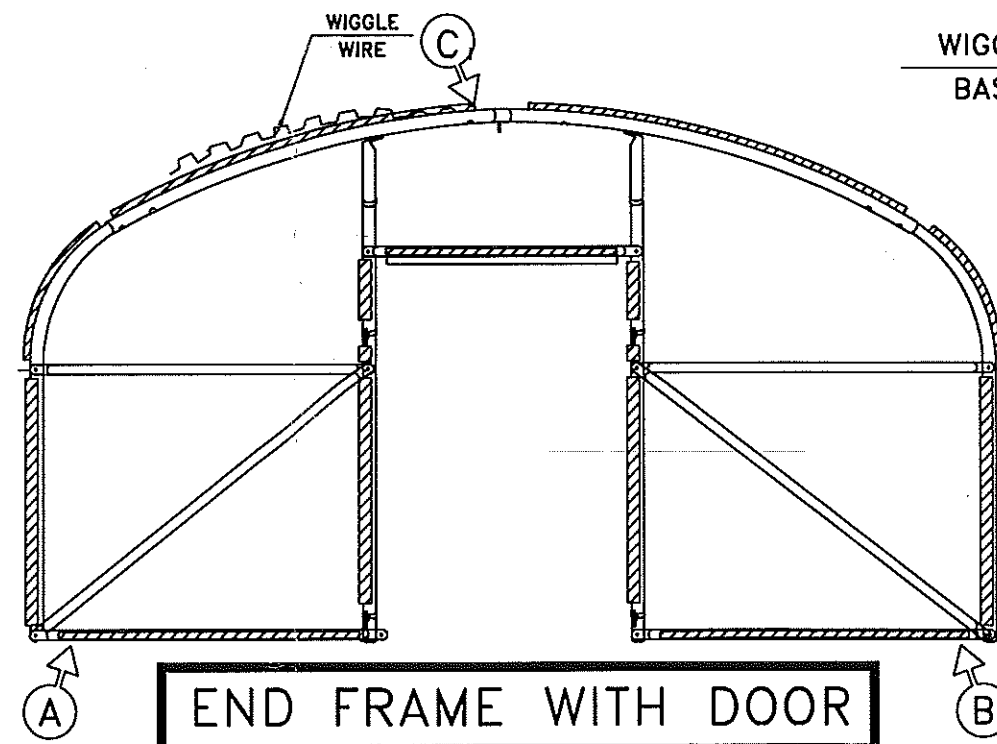


END FRAME WITH DOOR

Lay out the wiggle wire sections so they are handy. Unroll poly on the ground next to the end hoop.

Start installing wiggle wire at point A, and continue along the bottom to point B. Then, lift poly to top of hoop and attach a wiggle wire at point C. Tensioning poly as you go, continue down the left side to the bottom of the hoop. Then, go back to point C and finish down the other side.

Install wiggle wire around the door, then trim the excess poly.



"L" PANEL ASSEMBLY

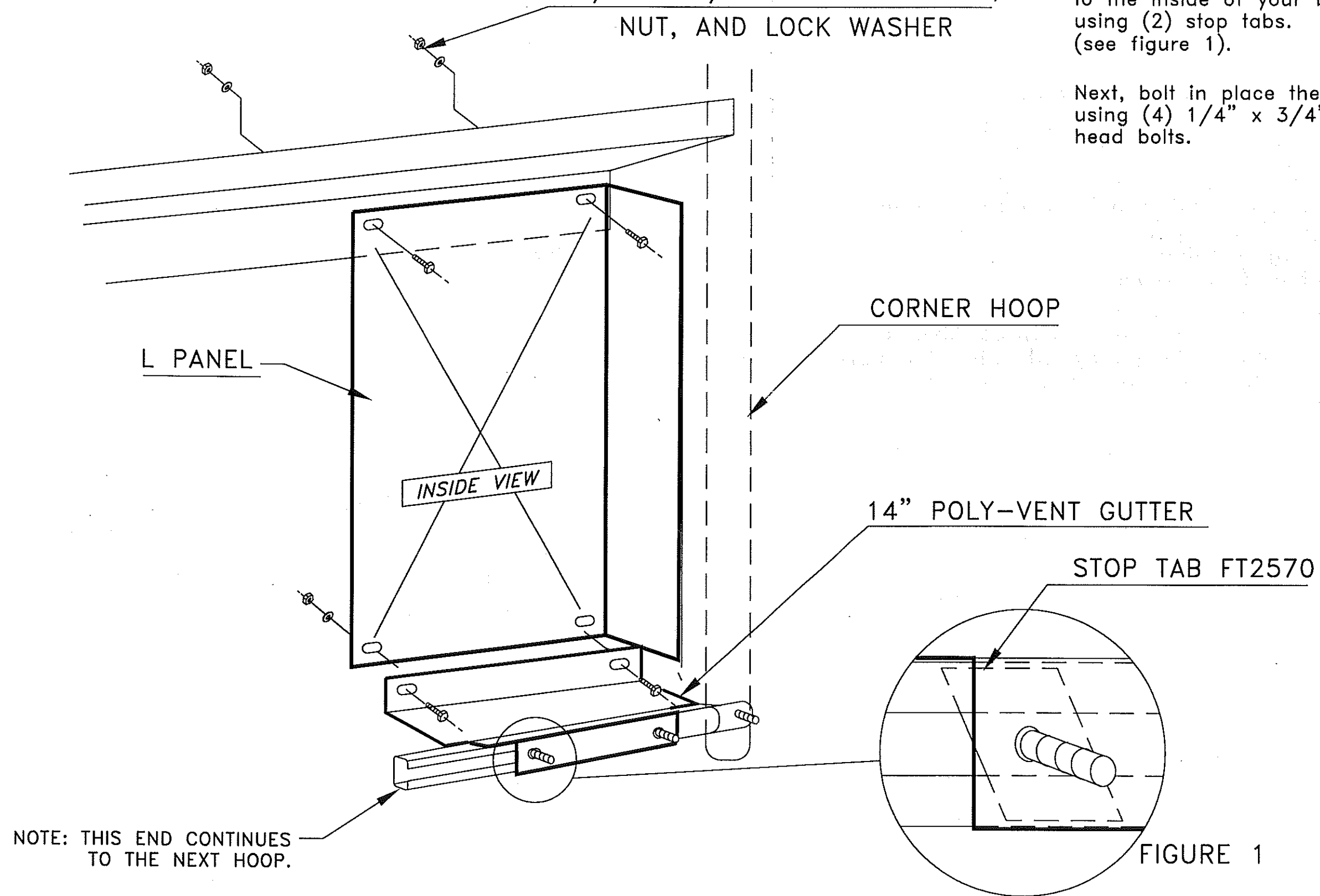
GARDEN MART 98

(POLY-VENT OPTION ONLY)

1/4" x 3/4" HEX HEAD BOLT,
NUT, AND LOCK WASHER

First install the POLY-VENT gutter to the inside of your bottom rail, using (2) stop tabs. (see figure 1).

Next, bolt in place the L-PANEL, using (4) 1/4" x 3/4" hex head bolts.



L277 112299-4

INSTALLING FRONT & REAR GUIDES (POLY-VENT OPTION ONLY)

GARDEN MART 98

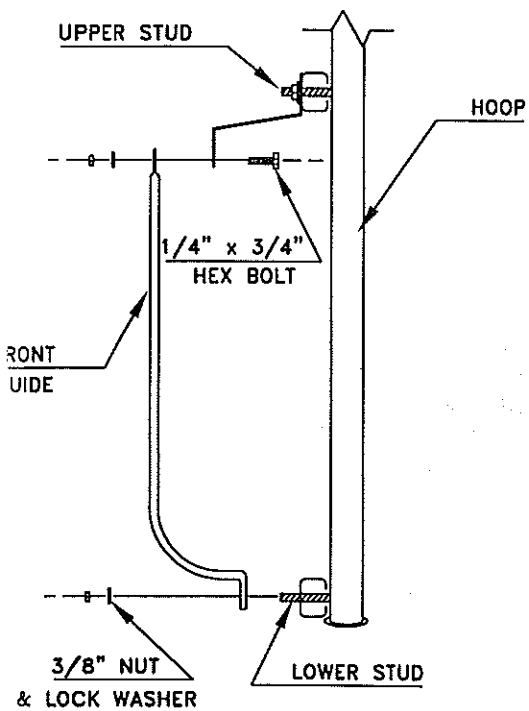


FIGURE 1

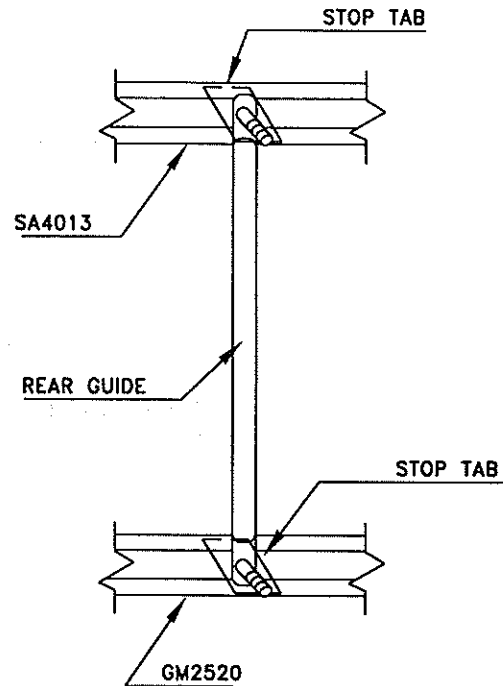


FIGURE 2

Install the front guides every 6'-0" to the outside of your GARDEN MART. These will be bolted to the poly-vent gutter (sheet metal) and the lower stud. (see figure 1.)

See figure 3 for location of the rear guide. These will be held in place with (2) stop tabs, (figure 2). Place the rear guide approximately 18" from the corner. See figure 3

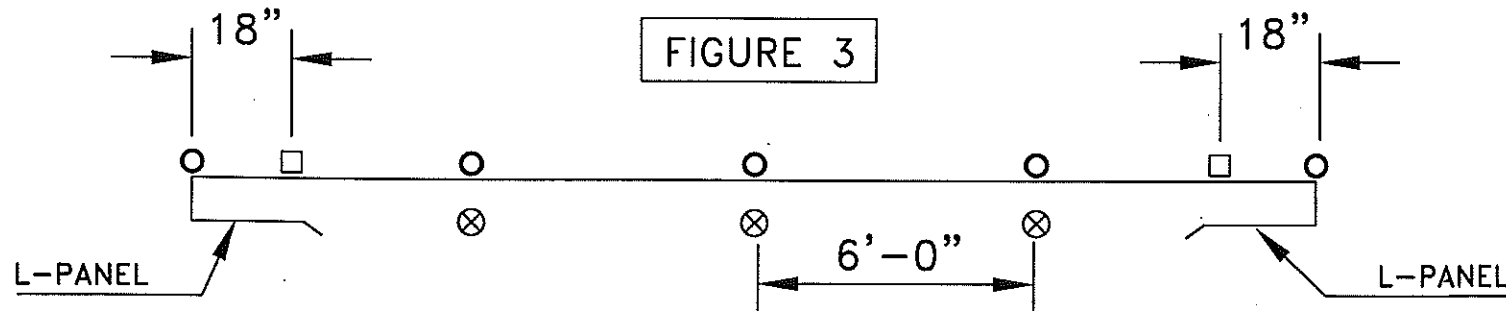


FIGURE 3

GUIDE COUNT (per side)		
GARDEN MART SIZE	FRONT GUIDE	REAR GUIDE
30' SECTION	4	2
48' SECTION	7	2
60' SECTION	9	2
96' SECTION	15	2

TYPICAL GUIDE PATTERN	
○	HOOP
⊗	FRONT GUIDE
□	REAR GUIDE

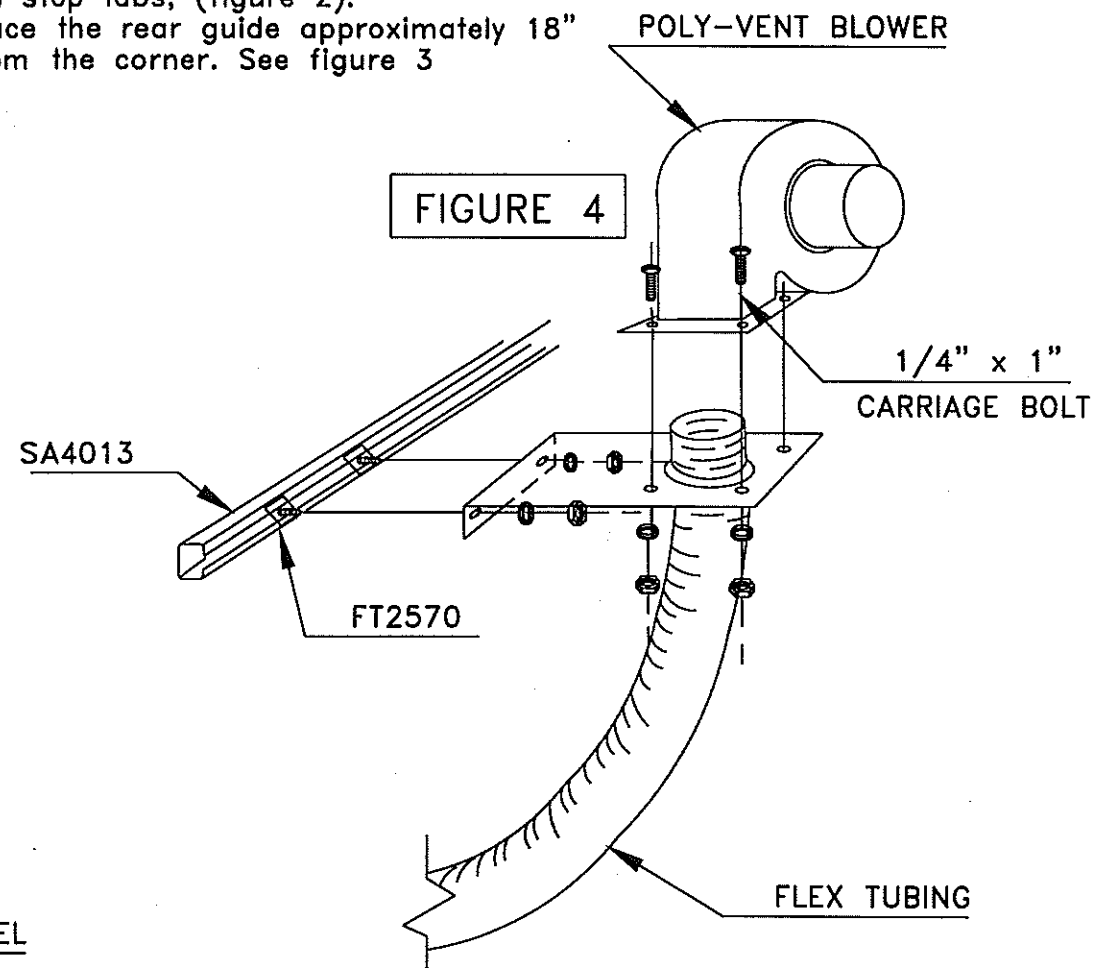


FIGURE 4

Install blower mount to upper rail using (2) stop tabs.

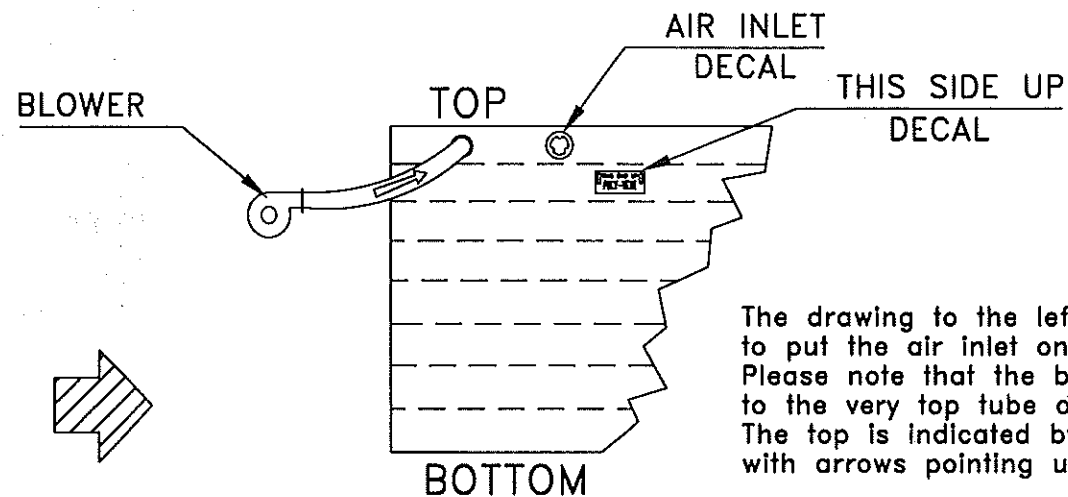
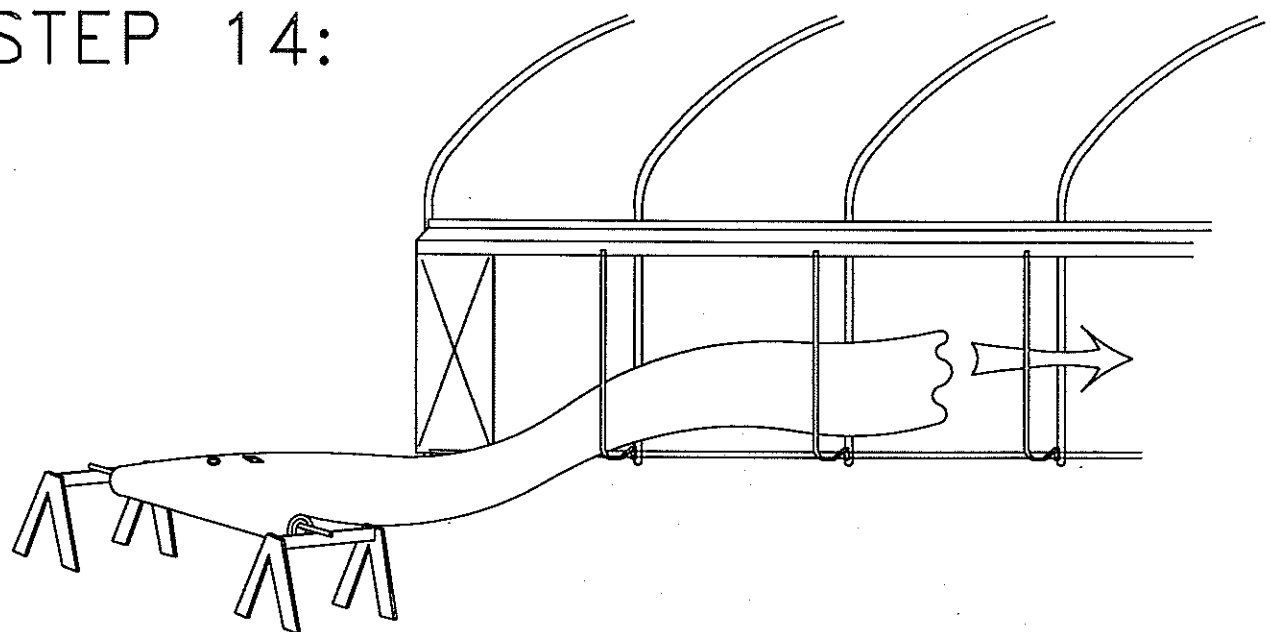
The poly-vent blower can be located anywhere along the side of the GARDEN MART. Near one end is ideal for electrical purposes.

Next, insert two or three sections of flex tubing wire through the blower mount, as illustrated in figure 4. Use the 1/4" x 1" carriage bolts provided, for installing the blower to the blower mount.

L277 112303-4

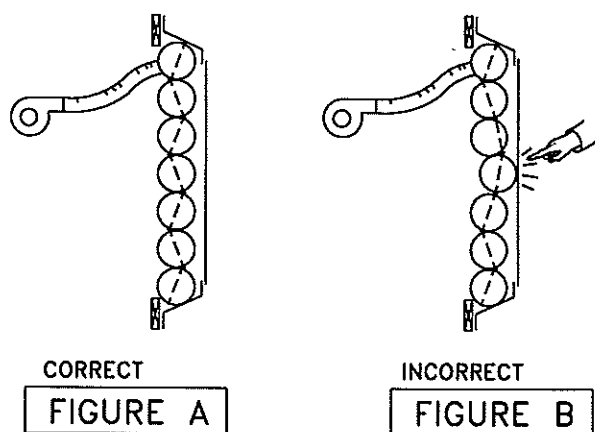
(FOR POLY-VENT INSTALLATION ONLY)

STEP 14:



The drawing to the left illustrates where to put the air inlet on your POLY-VENT. Please note that the blower is attached to the very top tube of the POLY-VENT. The top is indicated by a mylar decal with arrows pointing up.

Thread POLY-VENT through the vent frame work. Use caution in this procedure. Do not let POLY-VENT snag or catch any frame parts. Center the vent within the frame work. You can now install the flex tubing leading from the POLY-VENT blower.



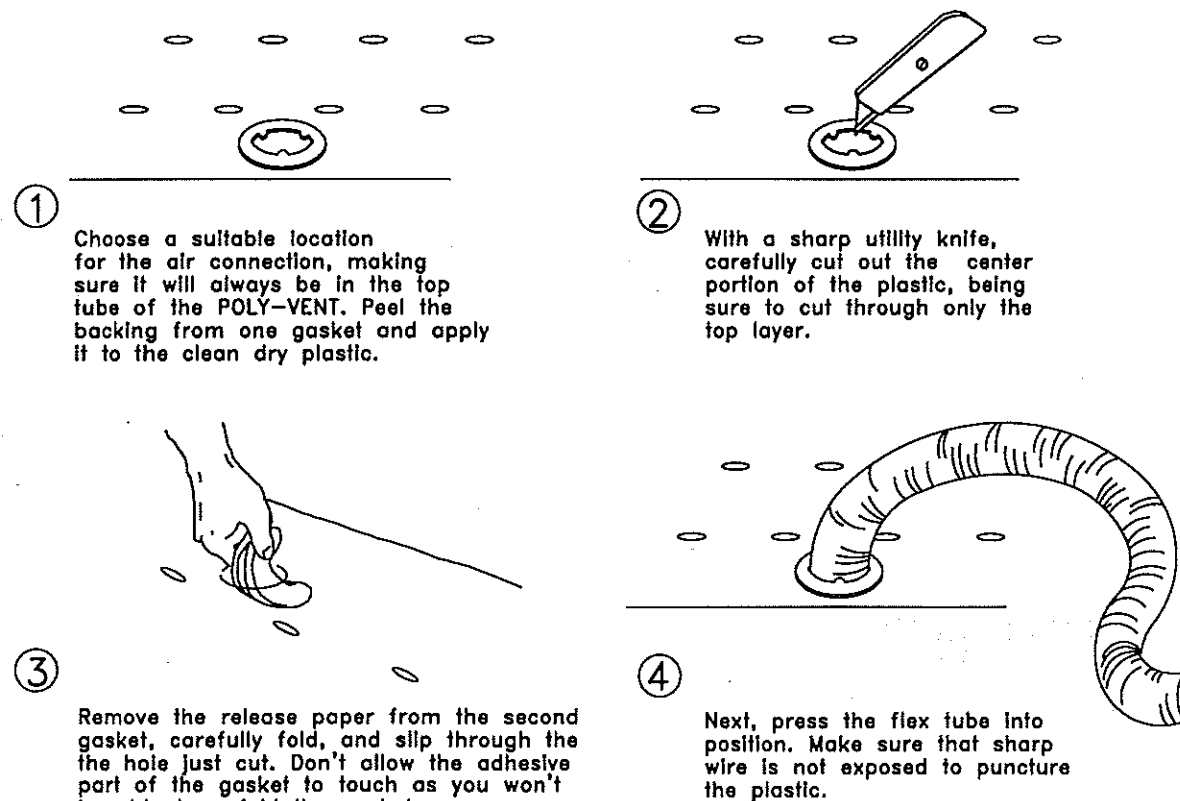
CORRECT
FIGURE A

INCORRECT
FIGURE B

IMPORTANT: Please note FIGURE A and FIGURE B.

These drawings illustrate end views of POLY-VENT. The POLY-VENT will want to take a zig-zag pattern. If you have one tube that is bulging, check your zig-zag pattern by inserting your hand in between the poly tubes. You will notice one row of seals are towards the inside, one row towards the outside, then inside, etc....

To fix the bulge, simply force the bulge inward with your hand the full length of the vent.



① Choose a suitable location for the air connection, making sure it will always be in the top tube of the POLY-VENT. Peel the backing from one gasket and apply it to the clean dry plastic.

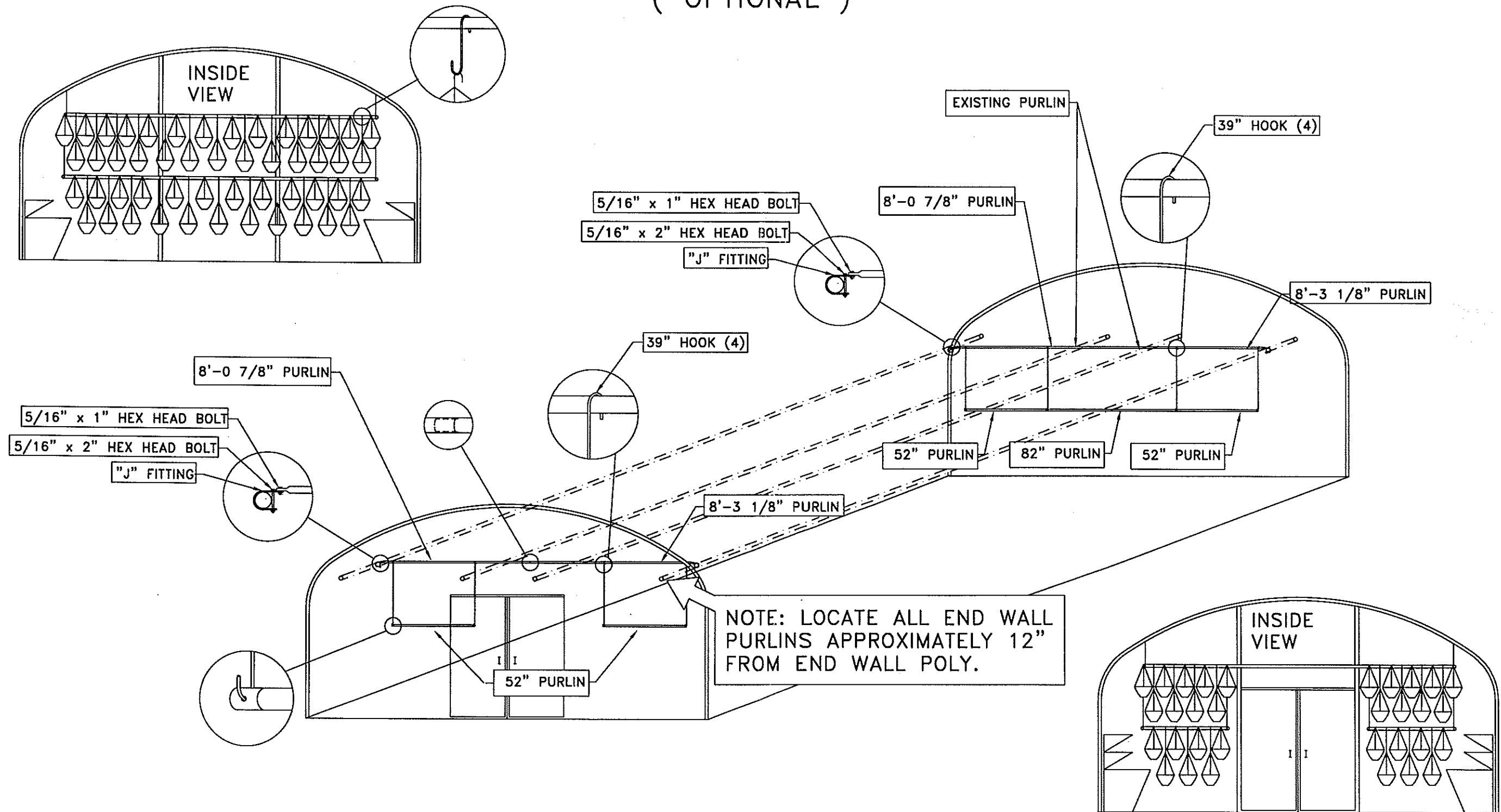
② With a sharp utility knife, carefully cut out the center portion of the plastic, being sure to cut through only the top layer.

③ Remove the release paper from the second gasket, carefully fold, and slip through the the hole just cut. Don't allow the adhesive part of the gasket to touch as you won't be able to unfold the gasket.

④ Next, press the flex tube into position. Make sure that sharp wire is not exposed to puncture the plastic.

Align the bottom gasket and press down. As a safety measure, it is a good idea to take an office stapler and staple the two gaskets together.

(OPTIONAL)



VERY IMPORTANT NOTE:

DO NOT REMOVE BLACK DIAGONAL BRACES (2 PER CORNER) UNTIL IT IS TIME TO DISASSEMBLE HOOP IT IS ATTACHED TO. THE STRUCTURE MAY COLLAPSE IF THESE ARE REMOVED BEFORE DISASSEMBLING HOOPS.

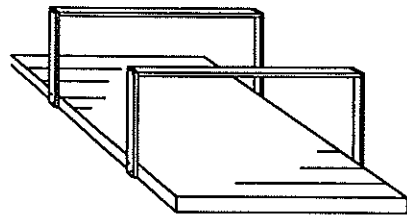
1. Remove top cover and end covering. You may want to carefully remove the top cover, and store in a dry location, out of the sun, to enable use for another season. However, it can be difficult to line the poly up in the same poly fastener track. You may want to discard the poly, or you can reuse this to cover the dismantled GARDEN MART.
2. Remove any and all bench tops. These can be stacked neatly.

POLY-VENT SIDES

3. Unhook blowers and flexible air hose from POLY-VENT. Slide POLY-VENT through the guides, being careful with it. Fold carefully and store in a dry location out of the sun. Remove all POLY-VENT guides and panels. You can leave the bolts and nuts on these parts.

SLIDE-SIDES

- 3A. Remove clear panels by raising them straight up and swinging the bottom edge towards you. Panels can be stacked neatly, out of the sun, for storage.
4. Remove doors for easy access in and out of the house. Do not place on bottom of the pallet.
5. Remove hold down system. (Water tubes or concrete blocks).
6. Remove Basket Purlin and hooks.
7. GARDEN MART bench brackets and V BRACKET frames can be easily lifted off.
8. Remove corner braces and purlins. You can secure the bolts and nuts on these parts after they are off the structure. This will make locating them easier the next time you set it up.
9. Starting with the end frame, take off the first top and bottom rails on each side, then lower the end hoop. Once it is on the ground, you can disassemble it. You can keep the vertical end frame parts assembled. Put nuts back on studs after rails are removed.
10. Take off the next section of rails, and lower the intermediate hoop section. The power pole can be stored without removing the extension. (22 3/4" pipe)
Repeat step 11 until you get to the end hoop. NOTE: Hoops may be stored fully assembled, if desired.
11. Lay down the end hoop and disassemble. You can keep the vertical end frame assembled in storage. You can leave the connection fittings right on the hoops with the bolts in them. Just slide them back and finger tighten.
12. Place all disassembled parts on the pallet (if desired) for compact storage. Blowers should be kept out of the weather.



SAVE YOUR PALLET

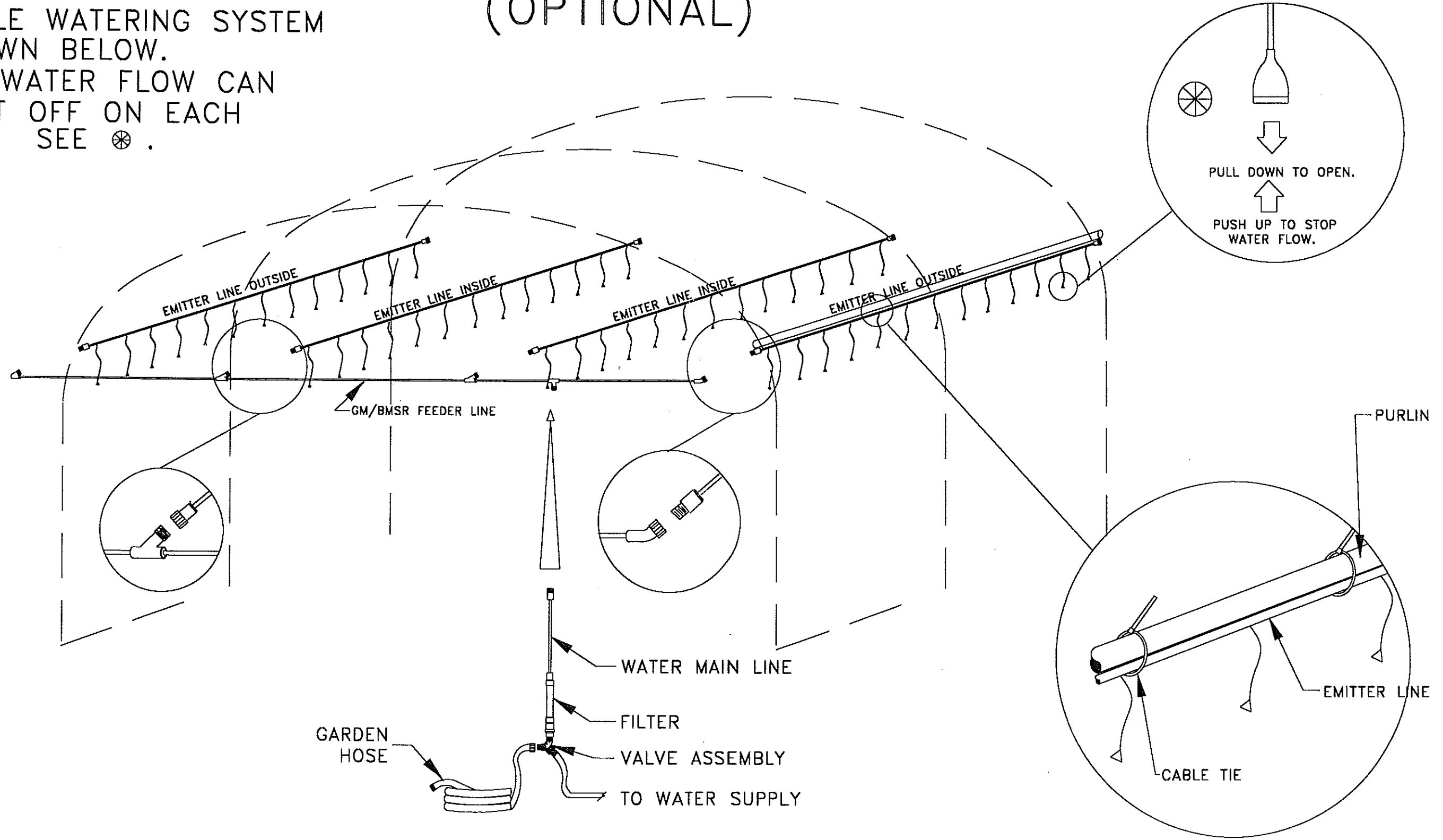
HELPFUL HINT: Lag screw 2x4's to your pallet to keep rails, hoops, etc... from falling off.

INSTALL WATERING SYSTEM (OPTIONAL)

GARDEN MART

ASSEMBLE WATERING SYSTEM
AS SHOWN BELOW.

NOTE: WATER FLOW CAN
BE SHUT OFF ON EACH
EMITTER. SEE ⊗.



NOTE: INSTALL CABLE TIES EVERY 36".

F258 14437-8

PAGE TWENTY-FOUR

