

END CAP DOUBLE BENCH DISPLAY 4'

EC7022



Assembly Instructions



Important!

Please read these instructions carefully before beginning to assemble this display. Save these instructions for future reference.

Revision: AA-140318

Assembly Instructions

1.0 Product Number Cross-Reference

END CAP DOUBLE BENCH DISPLAY 4'				
DESCRIPTION	GALVANIZED	RED	BLACK	GREEN
END CAP BENCH 24 BASE	PX1017	PR1017	PK1017	PG1017
EC POST 1 LEVEL 21.5 OC	PX1119	PR1119	PK1119	PG1119
END CAP MIDDLE BENCH	PX1016	PR1016	PK1016	PG1016
SOCKET SET SCREW 5/16"x 1/2"	NB1978			
WRENCH HEX 5/32" LONG	NB1979			
SNAPPER PIN.250"x2.25"	NB1996			
1 1/4" SQ BLK PLUG	RS5001			

OPTIONAL PARTS	
END CAP CONNECTION KIT	EC0001
HEX BOLT 5/16"x2 1/2" ZP G5	NB1850
LOCK WASHER 5/16	NB1862
HEX NUT 5/16" ZP	NB1872

- Part number references are included in the instructions for the galvanized components. Refer to the second letter change in the part number for cross reference to the appropriate powder-coated color.

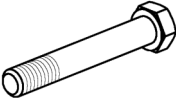

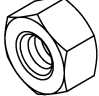
Assembly Instructions

2.0 Parts List

2.1 Base Unit

IMAGE	TAG #	QTY	ITEM #	DESCRIPTION
	1	1	PX1017	END CAP BENCH 24 BASE
	2	1	PX1119	EC POST 1 LEVEL 21.5 OC
	3	4	RS5001	1 1/4 SQ BLK PLUG
	4	2	NB1996	SNAPPER PIN.250"x2.25"
	5	4	NB1978	SOCKET SET SCREW 5/16"x1/2"
	6	1	NB1979	WRENCH HEX 5/32" LONG
	7	1	PX1016	END CAP MIDDLE BENCH

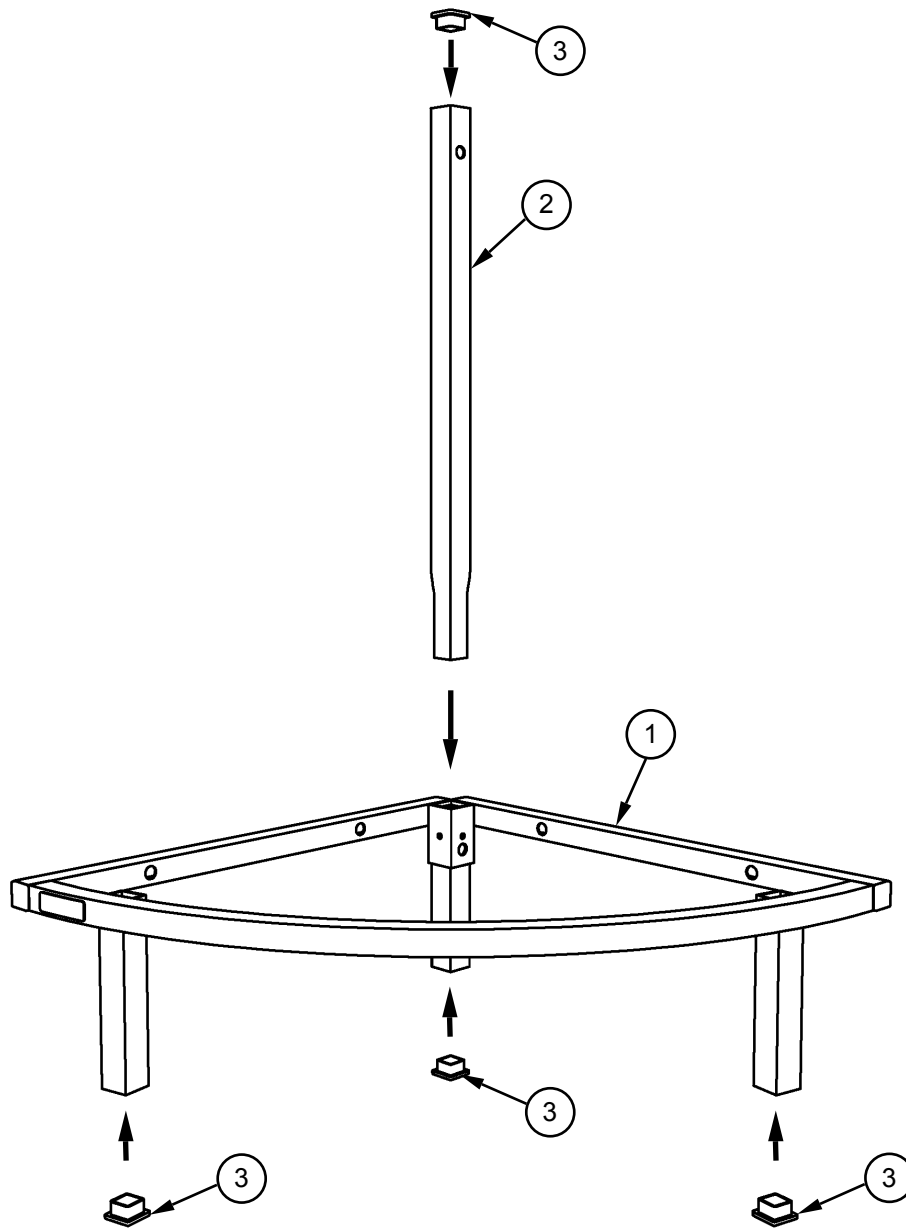
2.2 Optional Components

IMAGE	TAG #	QTY	ITEM #	DESCRIPTION
	8	4	NB1850	HEX BOLT 5/16"x2 1/2" ZP G5
	9	4	NB1862	LOCK WASHER 5/16
	10	4	NB1872	HEX NUT 5/16" ZP

Assembly Instructions

3.0 Base Unit

3.1 Base & Support

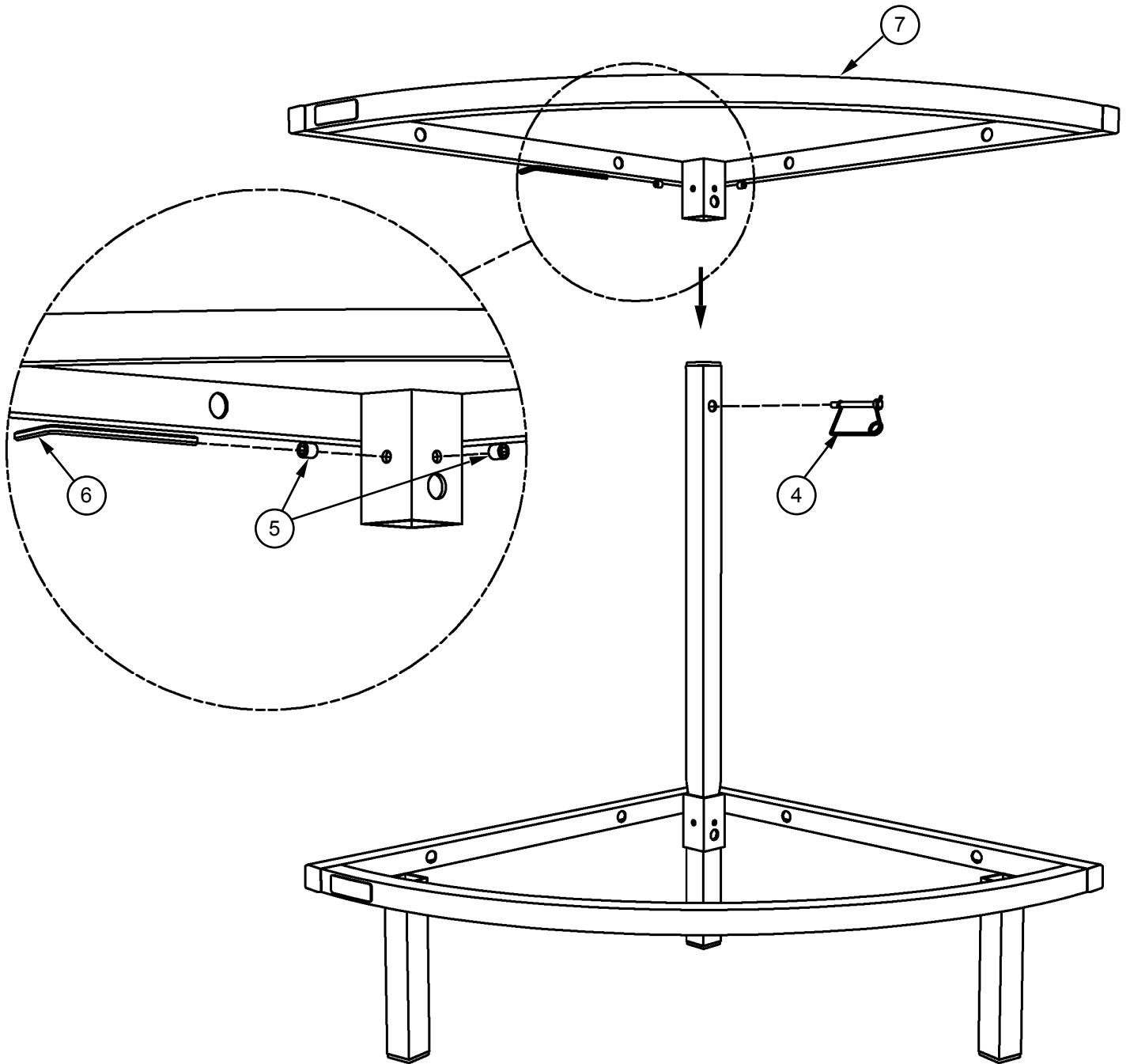


TAG #	QTY	ITEM #	DESCRIPTION
1	1	PX1017	END CAP BENCH 24 BASE
2	1	PX1119	EC POST 2 TIER
3	4	RS5001	1 1/4 SQ BLK PLUG

- Install three Square Black Plugs into bottom legs of End Cap Bench PX1017 (mallet or hammer may be required).
- Place End Cap Bench PX1017 upright. Insert EC Post PX1119 with Plug RS5001 into back of Bench as shown.

Assembly Instructions

3.2 Top Bench



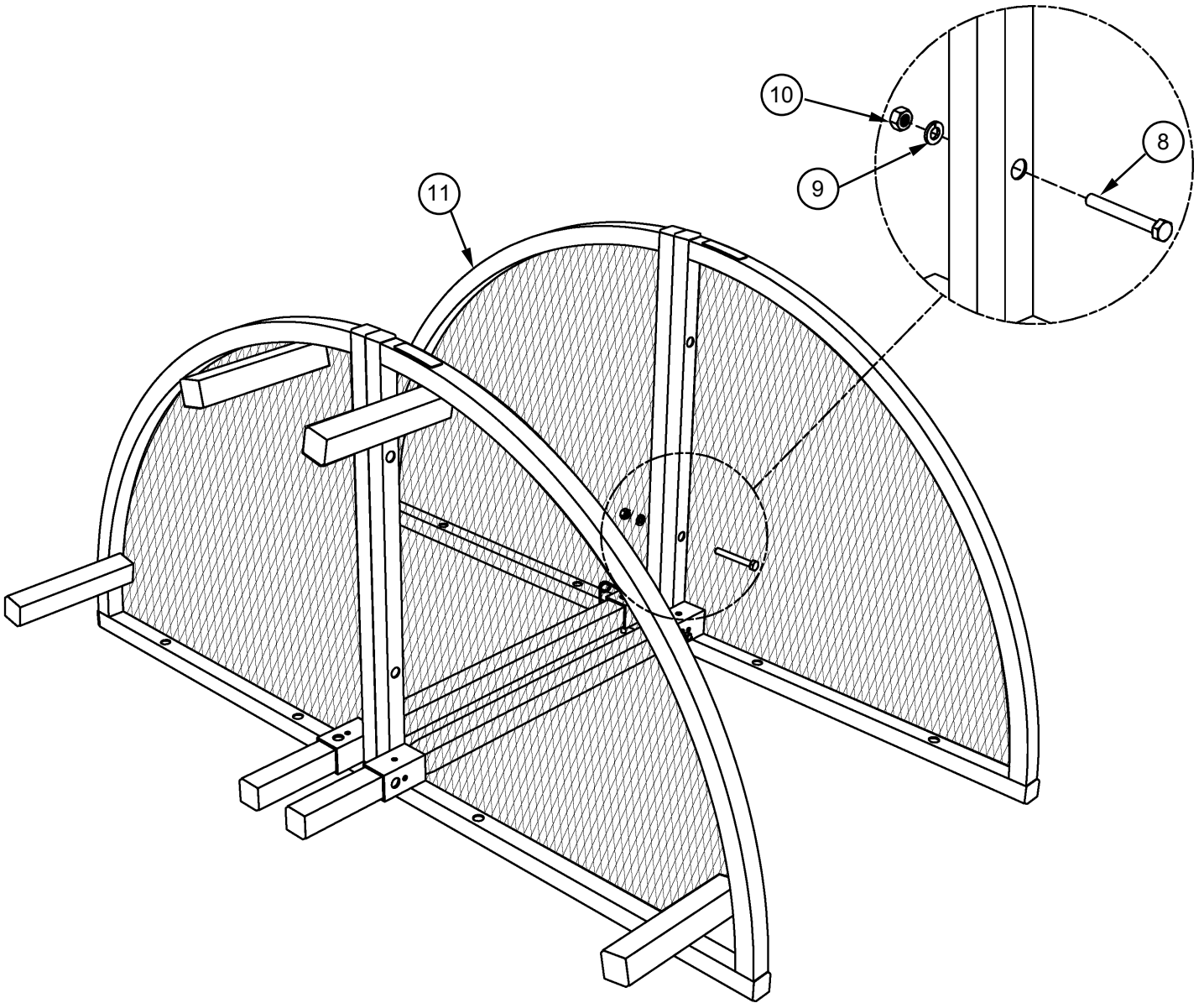
TAG #	QTY	ITEM #	DESCRIPTION
4	1	NB1996	SNAPPER PIN .250"x2.25"
5	2	NB1978	SOCKET SET SCREW 5/16"x1/2"
6	1	NB1979	WRENCH HEX 5/32" LONG
7	1	PX1016	END CAP MIDDLE BENCH

- Install Snapper Pin NB1996 in post to establish bench elevation. Loosely insert Socket Head Set Screws NB1978 into Middle Bench PX1016.
- Engage the Top Bench on the Post with the Snapper Pin NB1996.
- Tighten Socket Set Screws with Hex Wrench NB1979 until snug.

Assembly Instructions

4.0 Connecting Run

4.1 Connection Extension



TAG #	QTY	ITEM #	DESCRIPTION
8	4	NB1850	HEX BOLT 5/16"X2 1/2" ZP G5
9	4	NB1862	LOCK WASHER 5/16
10	4	NB1872	HEX NUT 5/16" ZP
11	1	EC7022	END CAP DOUBLE BENCH DISPLAY 4'

- Assemblies can be bolted together to form a circle or partial circle using parts from the End Cap Connection Kit as shown. Use two wrenches and insure that bolts, washers and nuts are tight (4 places).

Assembly Instructions

SAFETY GUIDELINES

Do not climb, sit on or use this product as a ladder. Injuries may occur.

Do not place or install electrical items on this product. Wet conditions are typical and electrical shock may occur.

Do not place this product on a slope that exceeds 3 degrees.

Do not move this display after product is in place. Damage to the display and injuries may occur.

CARE & MAINTENANCE

To remove loose soil and debris, simply spray the soiled areas with water from a garden hose.

Prior to storage, all surfaces of this product should be sprayed down with water and allowed to dry completely.

Limited Warranty

Poly-Tex Inc. warrants its products to be free from defects in material and workmanship for a period of (1) year from date of invoice. This warranty is provided to the original purchaser of the product and is not transferable. Poly-Tex does not warrant parts not manufactured by Poly-Tex, but does assign any transferable manufacturer or supplier warranties. Should any defect be found, full repair or replacement will be rendered to the customer at no cost following inspection by a Poly-Tex representative and the return of the defective product to our Castle Rock, MN factory. Expenses for removal or reinstallation of defective products will not be covered by the warranty.

POLY-TEX SHALL NOT BE HELD RESPONSIBLE FOR ANY SPECIAL OR CONSEQUENTIAL DAMAGES, OR FOR ANY DELAY IN PERFORMANCE OF THIS WARRANTY BEYOND OUR CONTROL. THIS WARRANTY IS EXCLUSIVE AND IN LIEU OF ALL OTHER WARRANTIES WHETHER IMPLIED, WRITTEN OR ORAL INCLUDING THE WARRANTIES OF MERCHANTABILITY AND FITNESS FOR A PARTICULAR PURPOSE.

This warranty does not cover damage from customer abuse, misuse, improper installation, customer modifications, customer negligence in performing normal maintenance, damage resulting from acts of nature.

Contact information:
Poly-Tex, Inc. PO Box 458
27725 Danville Ave Castle Rock, MN 55010
Toll free (800) 852-3443 Fax (651) 463-2479
www.poly-tex.com