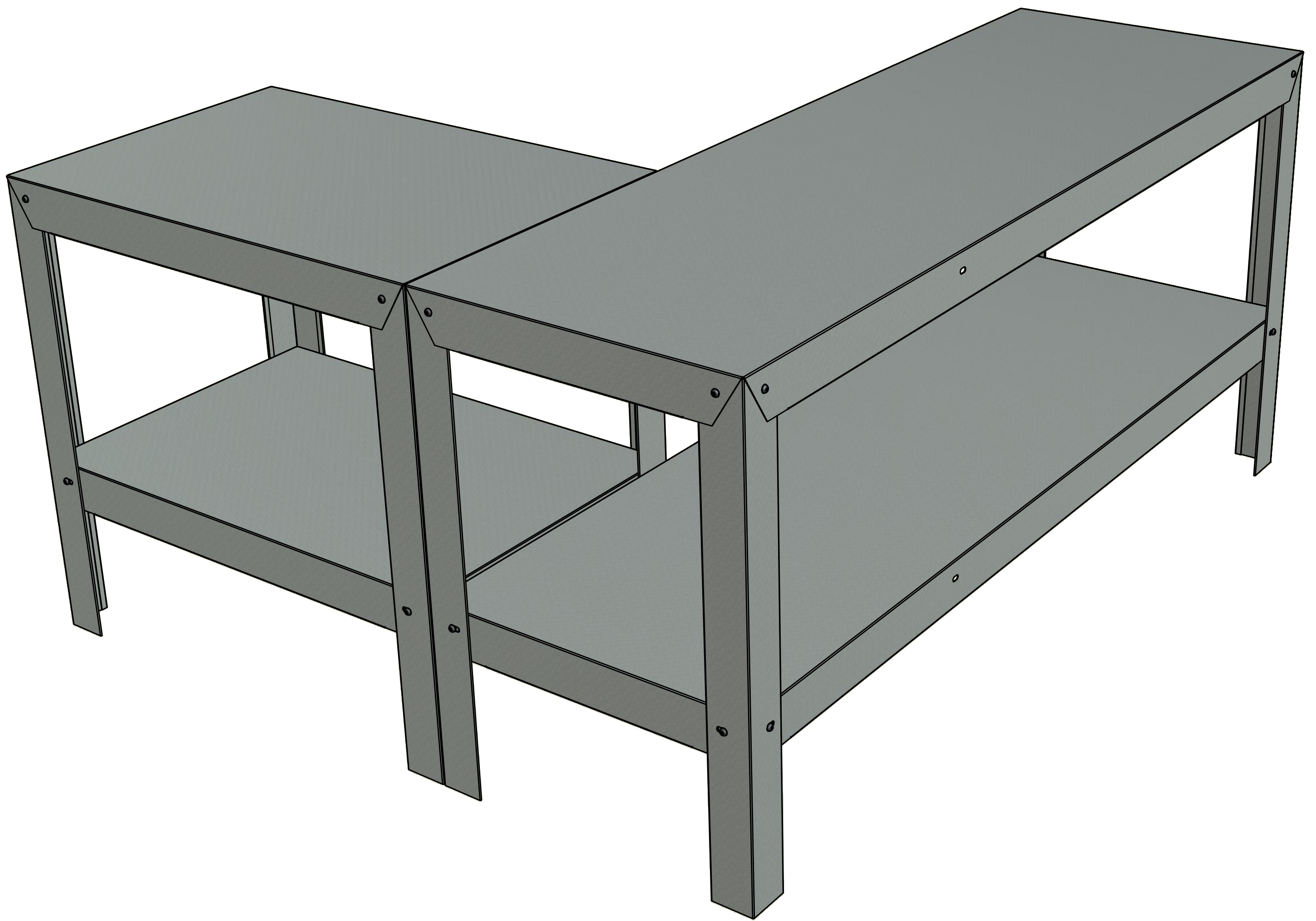


CH8000/CH8001/CH8100

ASSEMBLY INSTRUCTIONS


IMPORTANT

Please read these instructions carefully before beginning to assemble this display. Save instructions for future reference.

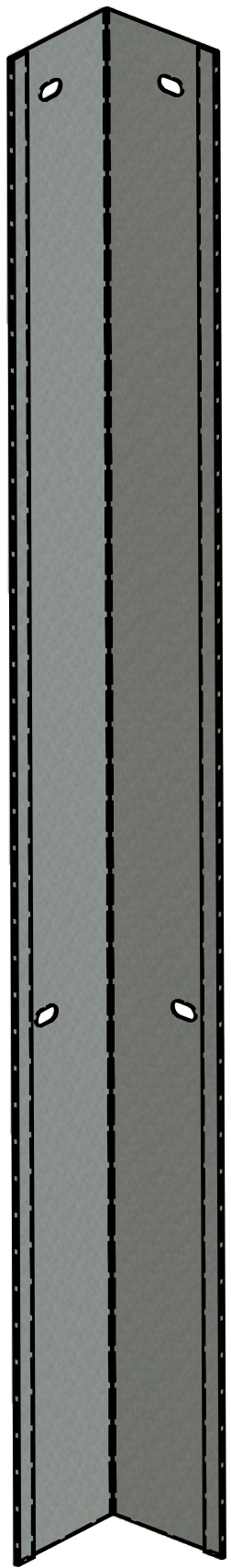


P.O. Box 458
27725 Danville Avenue
Castle Rock, MN 55010
www.poly-tex.com

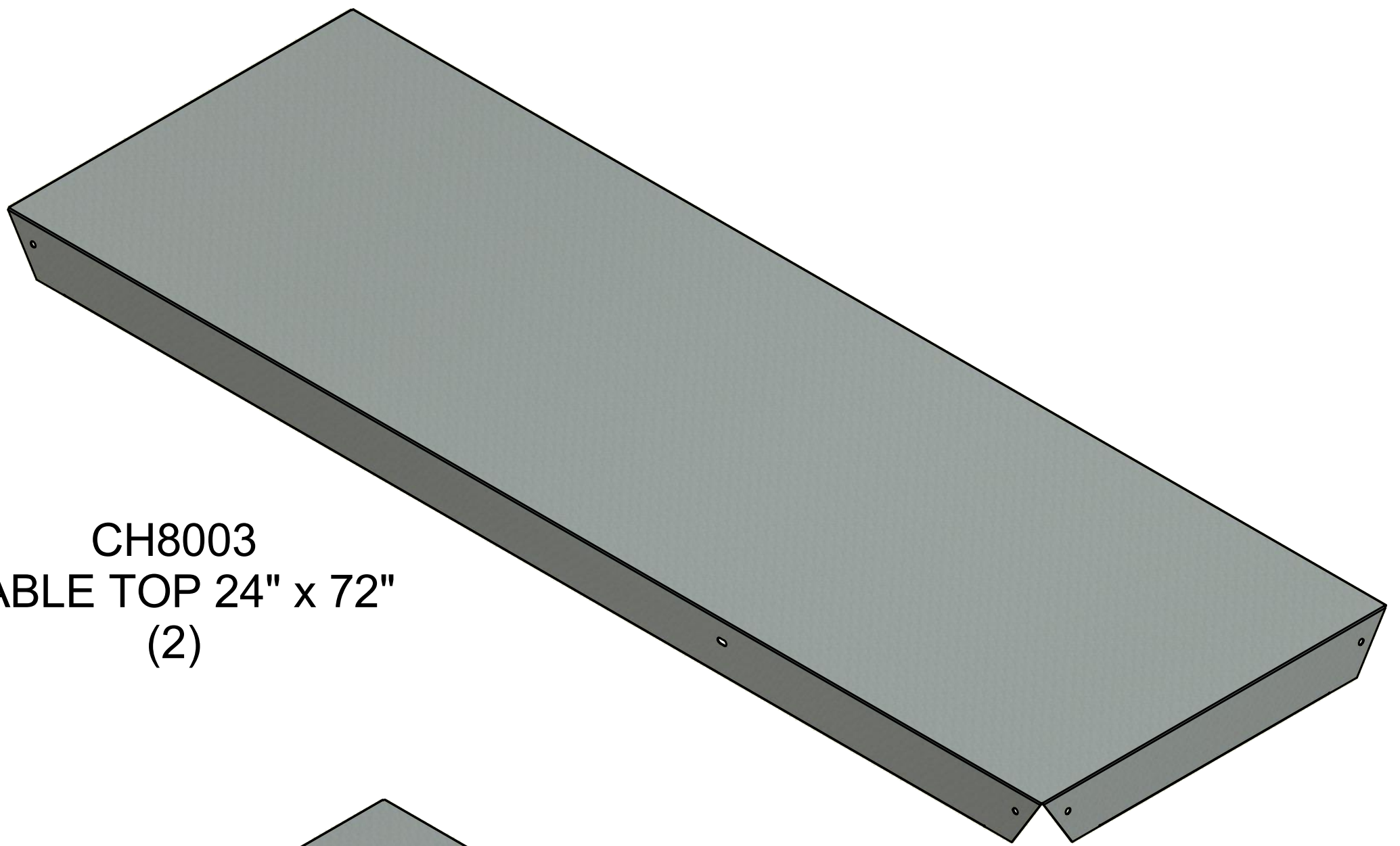
U.S. & Canada Toll Free
800-852-3443
(651) 463-7009
fax (651) 463-2479


POLY-TEX
Greenhouse & Display Systems

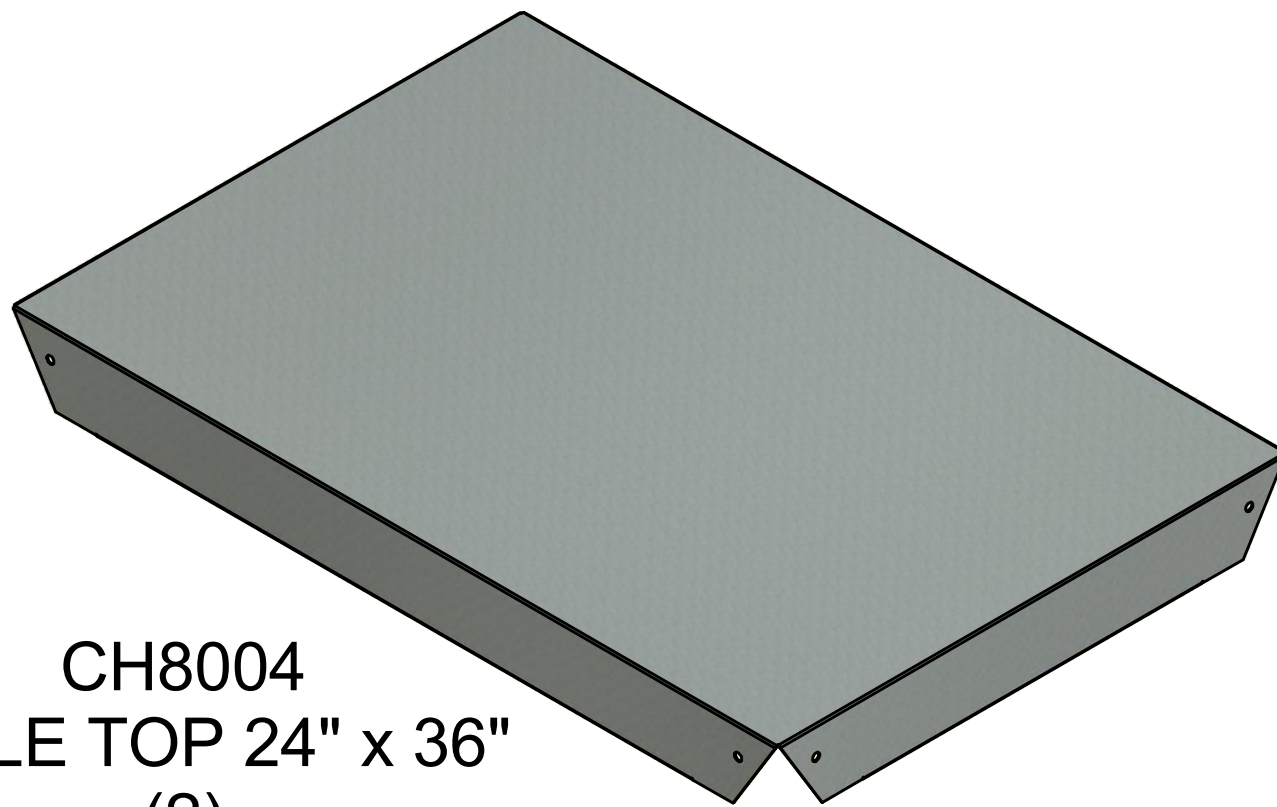
PARTS IDENTIFICATION



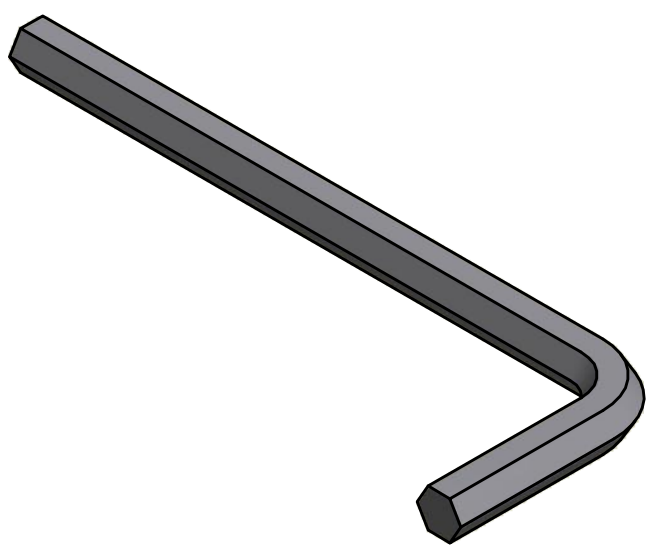
CH8002
TABLE LEG 34"



CH8003
TABLE TOP 24" x 72"
(2)



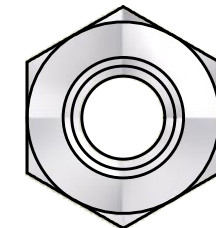
CH8004
TABLE TOP 24" x 36"
(2)



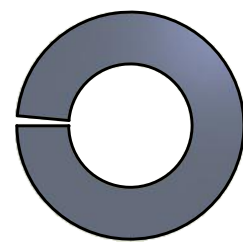
NB1974
3/16" WRENCH HEX
(1)



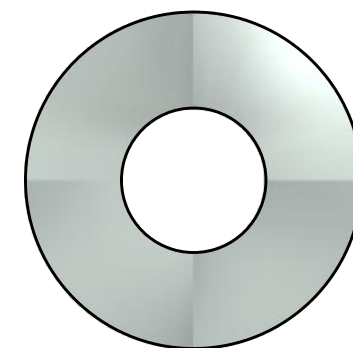
NB1970
5/16-18 x 3/4" BUTTON
HEAD CAP SCREW



NB1872
5/16" HEX NUT



NB1862
5/16" LOCK WASHER



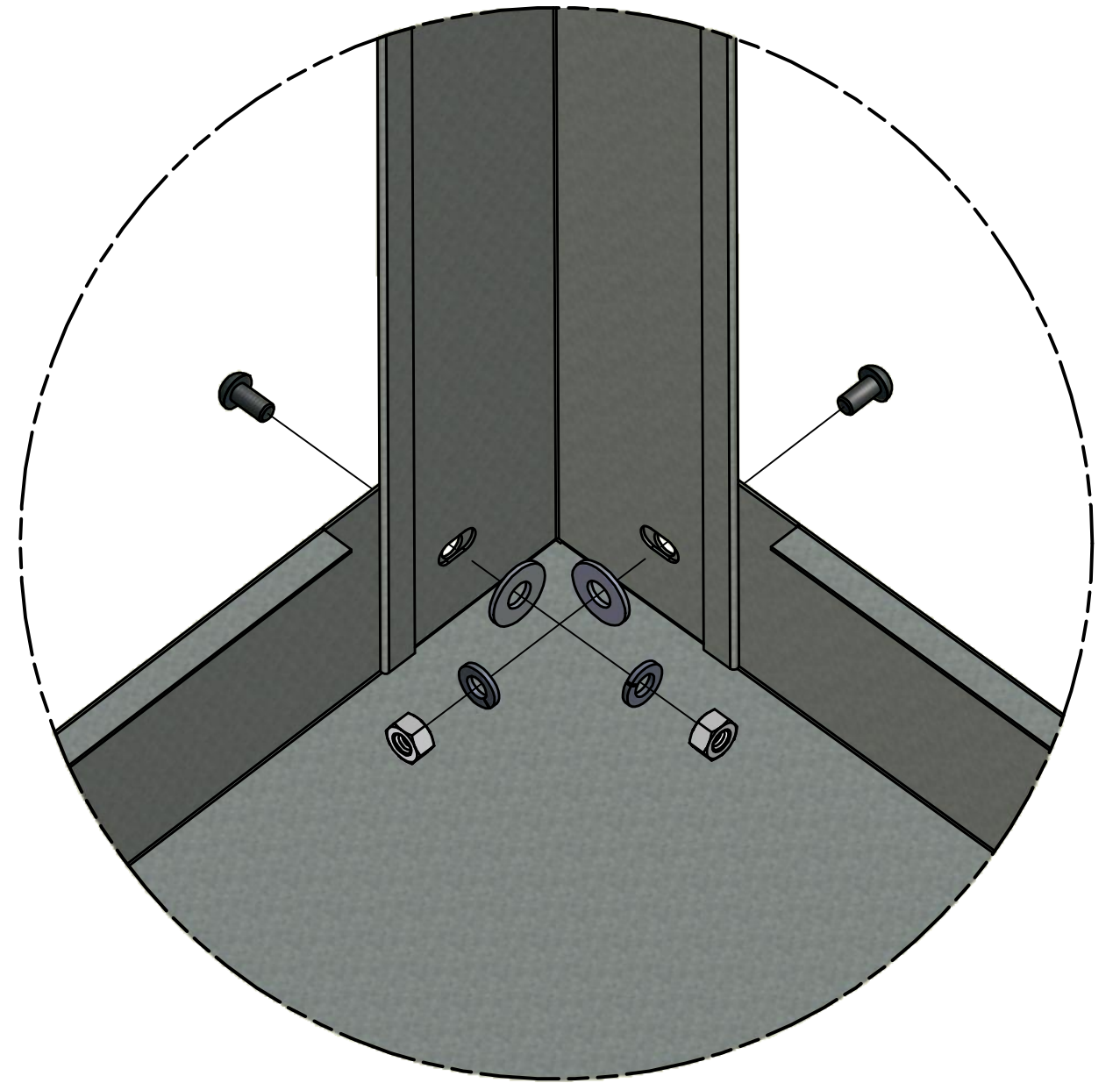
NB1886
5/16" FLAT WASHER

TOOLS & EQUIPMENT REQUIRED

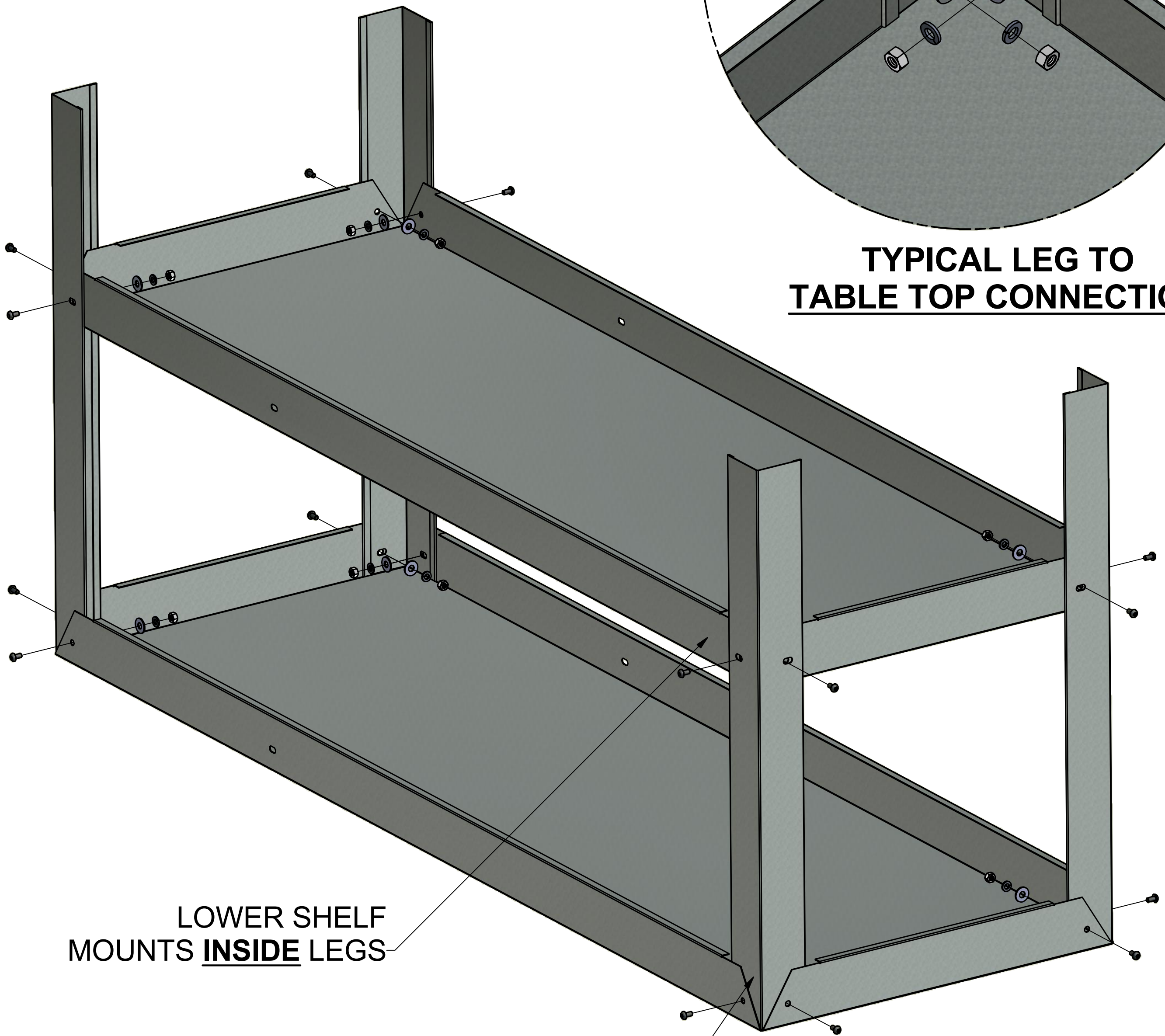
A 3/16" hex wrench (provided) and a 1/2" open end (or adjustable) wrench are required for assembly.

ASSEMBLY INSTRUCTIONS CH8000

CH8002 - 4
NB1970 - 16
NB1886 - 16
NB1862 - 16
NB1872 - 16



**TYPICAL LEG TO
TABLE TOP CONNECTION**

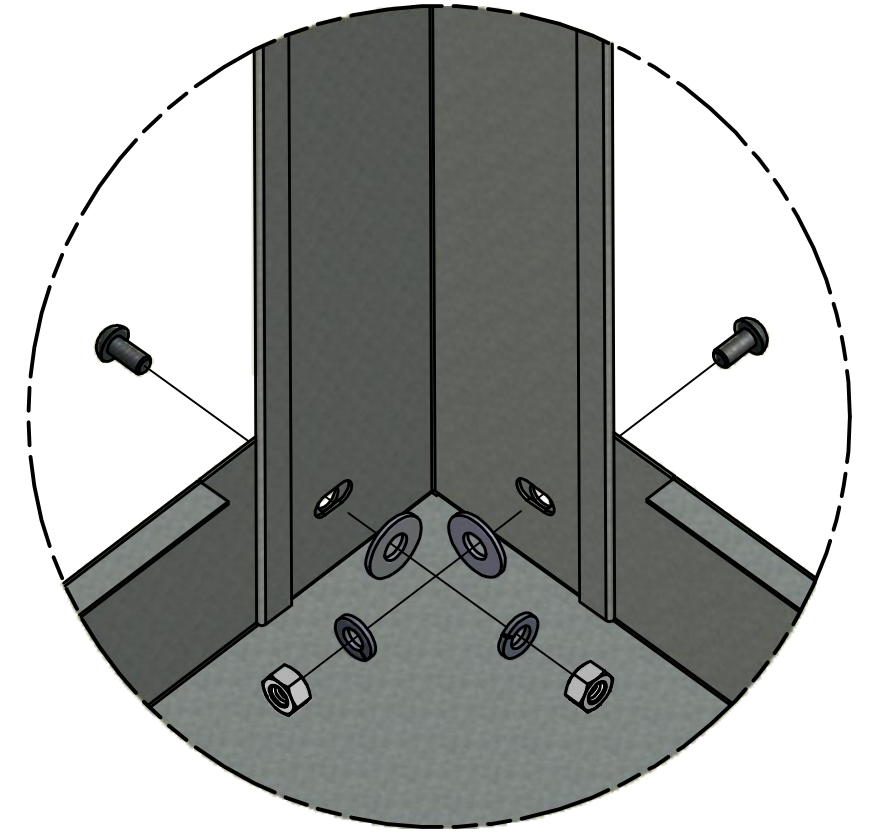


LOWER SHELF
MOUNTS INSIDE LEGS

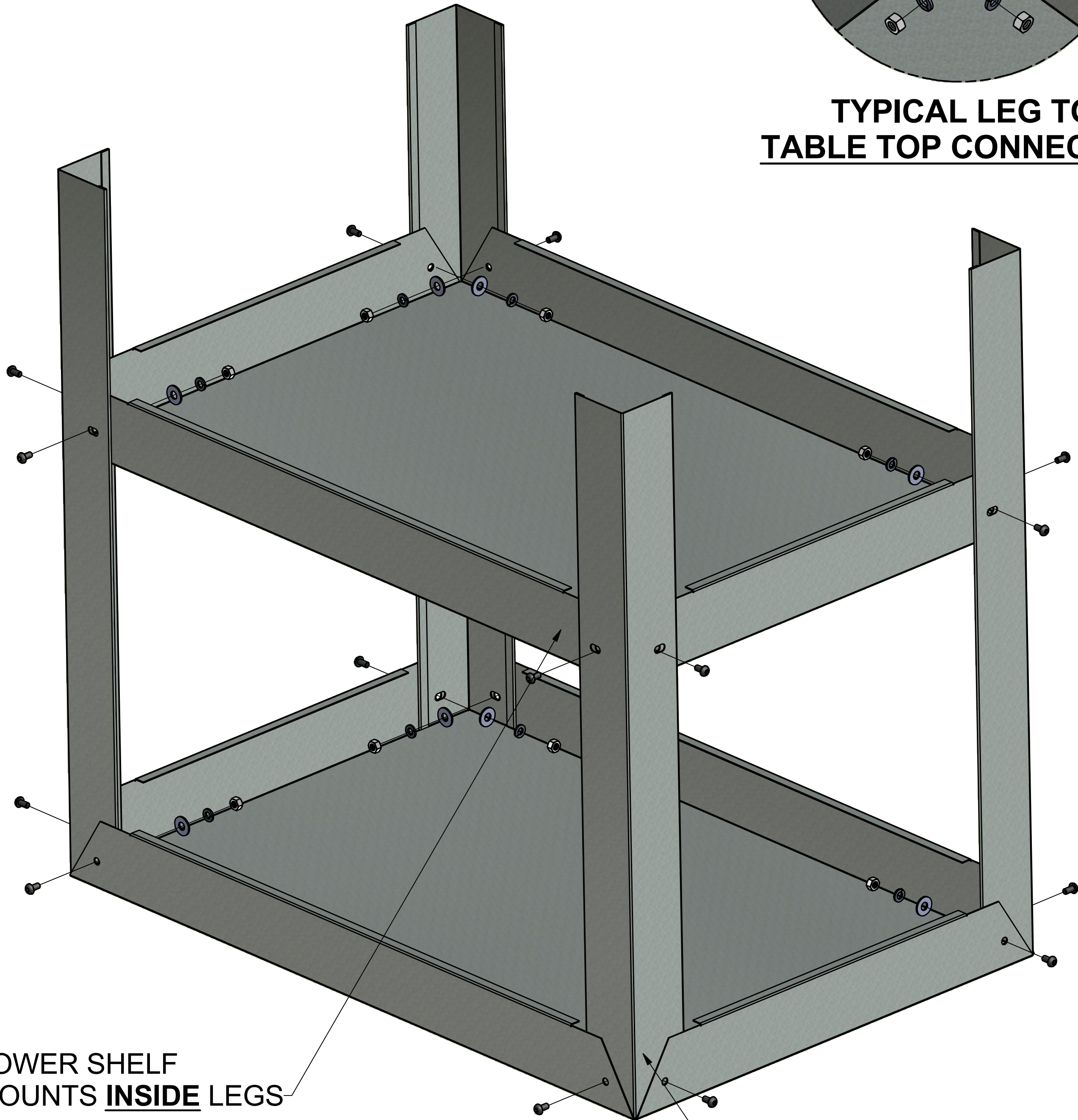
LEGS MOUNT INSIDE
UPPER TABLE TOP

ASSEMBLY INSTRUCTIONS CH8001

- CH8002 - 4
- NB1970 - 16
- NB1886 - 16
- NB1862 - 16
- NB1872 - 16



**TYPICAL LEG TO
TABLE TOP CONNECTION**



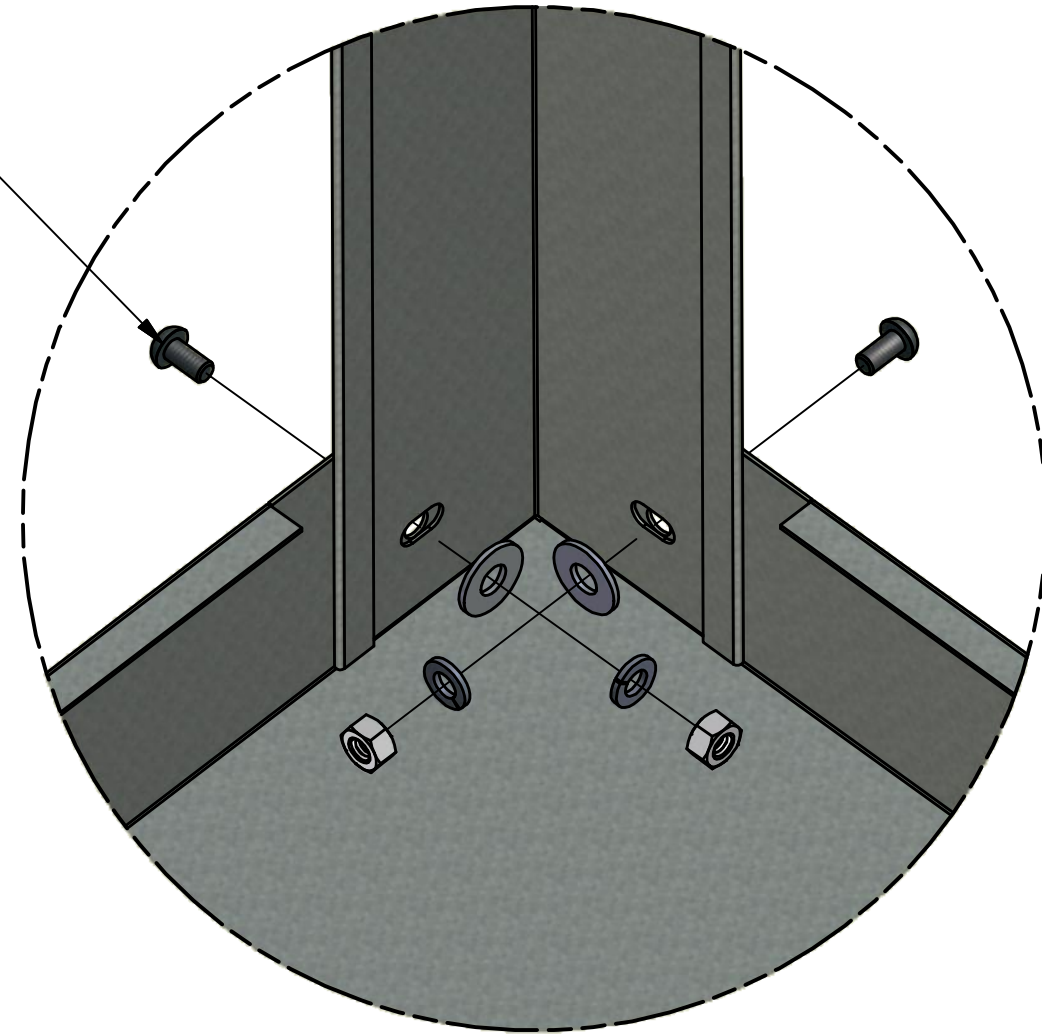
LOWER SHELF
MOUNTS INSIDE LEGS

LEGS MOUNT INSIDE
UPPER TABLE TOP

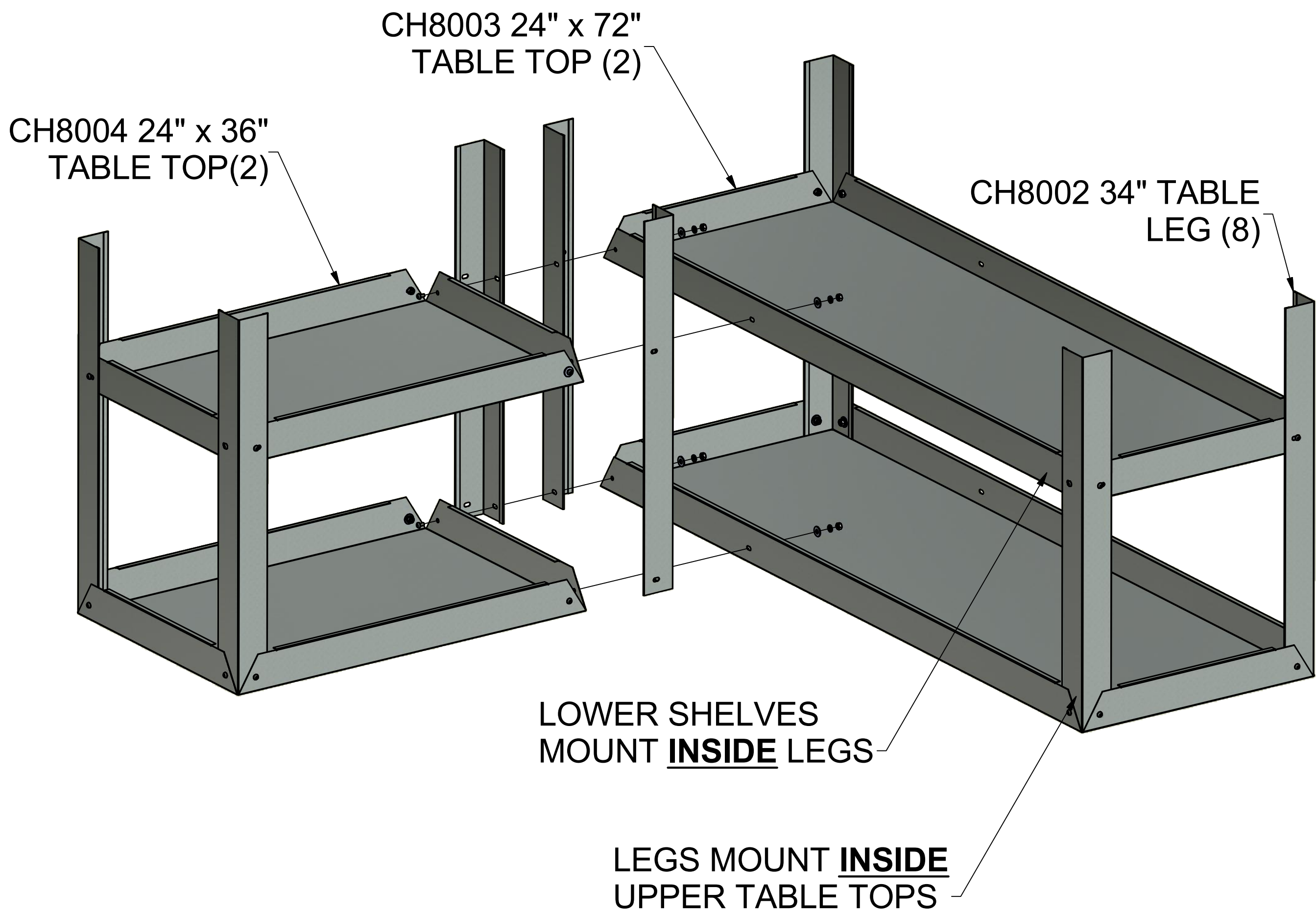
ASSEMBLY INSTRUCTIONS CH8100

- CH8002 - 8
- NB1970 - 28
- NB1886 - 28
- NB1862 - 28
- NB1872 - 28

PLACE LEGS
INSIDE UPPER
TABLE TOPS



TYPICAL LEG TO TABLE TOP CONNECTION



DRAWER ASSEMBLY FOR 72" TABLE - OPTIONAL

NB1750 - HEX BOLT 1/4" x 3/4" (4)
NB1860 - LOCK WASHER 1/4" (4)
NB1870 - LOCK WASHER 1/4" (4)

CH8020
RIGHT DRAWER
GUIDE (24")

CH8021
LEFT DRAWER
GUIDE (24")

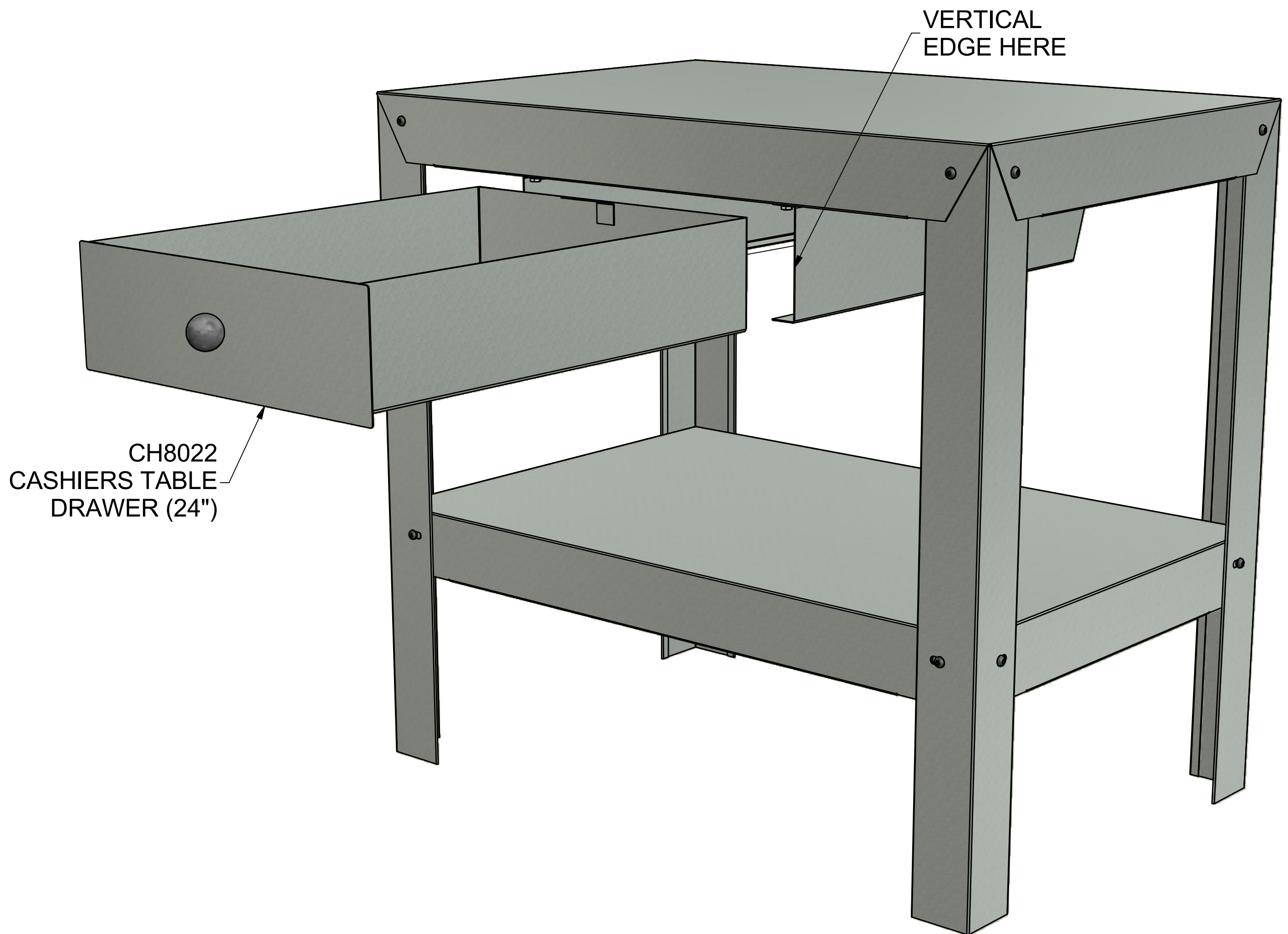
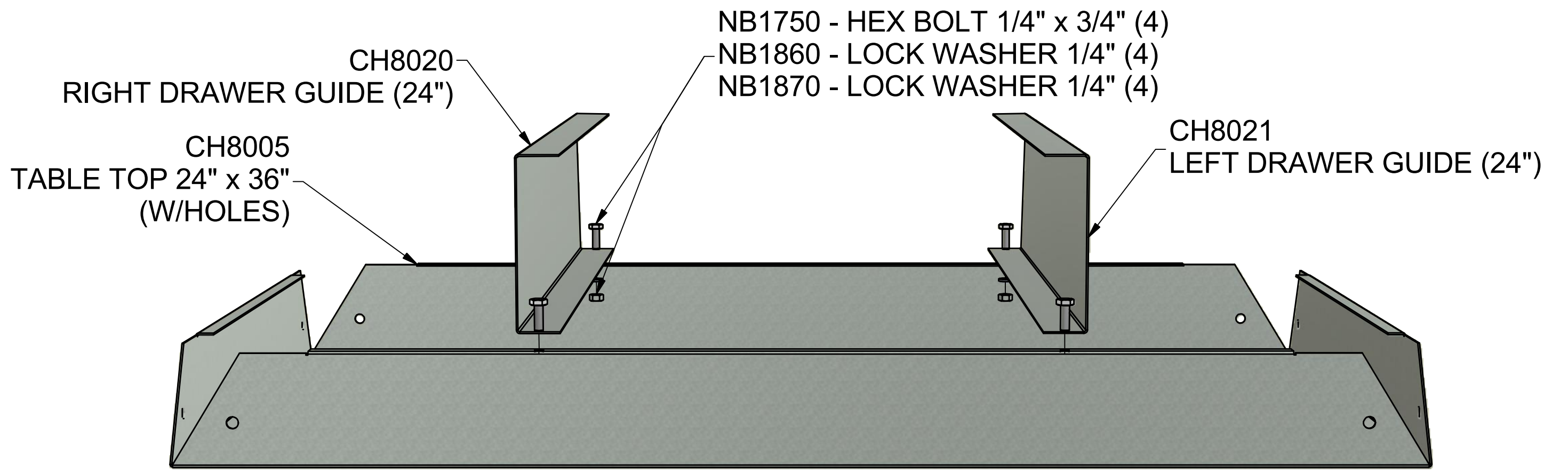
CH8007
TABLE TOP 24" x 72"
(W/HOLES)

VERTICAL
EDGE HERE

CH8022
CASHIERS TABLE
DRAWER (24")

TOOLS & EQUIPMENT REQUIRED

DRAWER ASSEMBLY FOR 36" TABLE - OPTIONAL



TOOLS REQUIRED

Two 7/16" open end wrenches

SAFETY GUIDELINES

Do not climb, sit on, or use this product as a ladder. Injuries may occur.

Do not place or install electrical items on this product. Wet conditions are typical and electrical shock may occur.

Do not place this product on a slope that exceeds 3 degrees.

Do not move this display after product is in place. Damage to display and injuries may occur.

CARE & MAINTENANCE

To remove loose soil and debris, simply spray the soiled areas with water from a garden hose.

Prior to storage, all surfaces of this product should be sprayed down with water and allowed to dry completely.

Limited Warranty

Poly-Tex, Inc. warrants its products to be free from defects in material and workmanship for a period of (1) year from date of invoice. This warranty is provided to the original purchaser of the product and is not transferable. Poly-Tex does not warrant parts not manufactured by Poly-Tex, but does assign any transferable manufacturer or supplier warranties. Should any defect be found, full repair or replacement will be rendered to the customer at no cost following inspection by a Poly-Tex representative and the return of the defective product to our Castle Rock, MN factory. Expenses for removal or reinstallation of defective products will not be covered by the warranty.

POLY-TEX SHALL NOT BE HELD RESPONSIBLE FOR ANY SPECIAL OR CONSEQUENTIAL DAMAGES, OR FOR ANY DELAY IN PERFORMANCE OF THIS WARRANTY BEYOND OUR CONTROL. THIS WARRANTY IS EXCLUSIVE AND IN LIEU OF ALL OTHER WARRANTIES WHETHER IMPLIED, WRITTEN OR ORAL INCLUDING THE WARRANTIES OF MERCHANTABILITY AND FITNESS FOR A PARTICULAR PURPOSE.

This warranty does not cover damage from customer abuse, misuse, improper installation, customer modifications, customer negligence in performing normal maintenance, damage resulting from acts of nature.

Contact information
Poly-Tex, Inc. PO Box 458
27725 Danville Ave Castle Rock, MN 55010
Toll free (800) 852-3443 Fax (651) 463-2479
www.poly-tex.com