

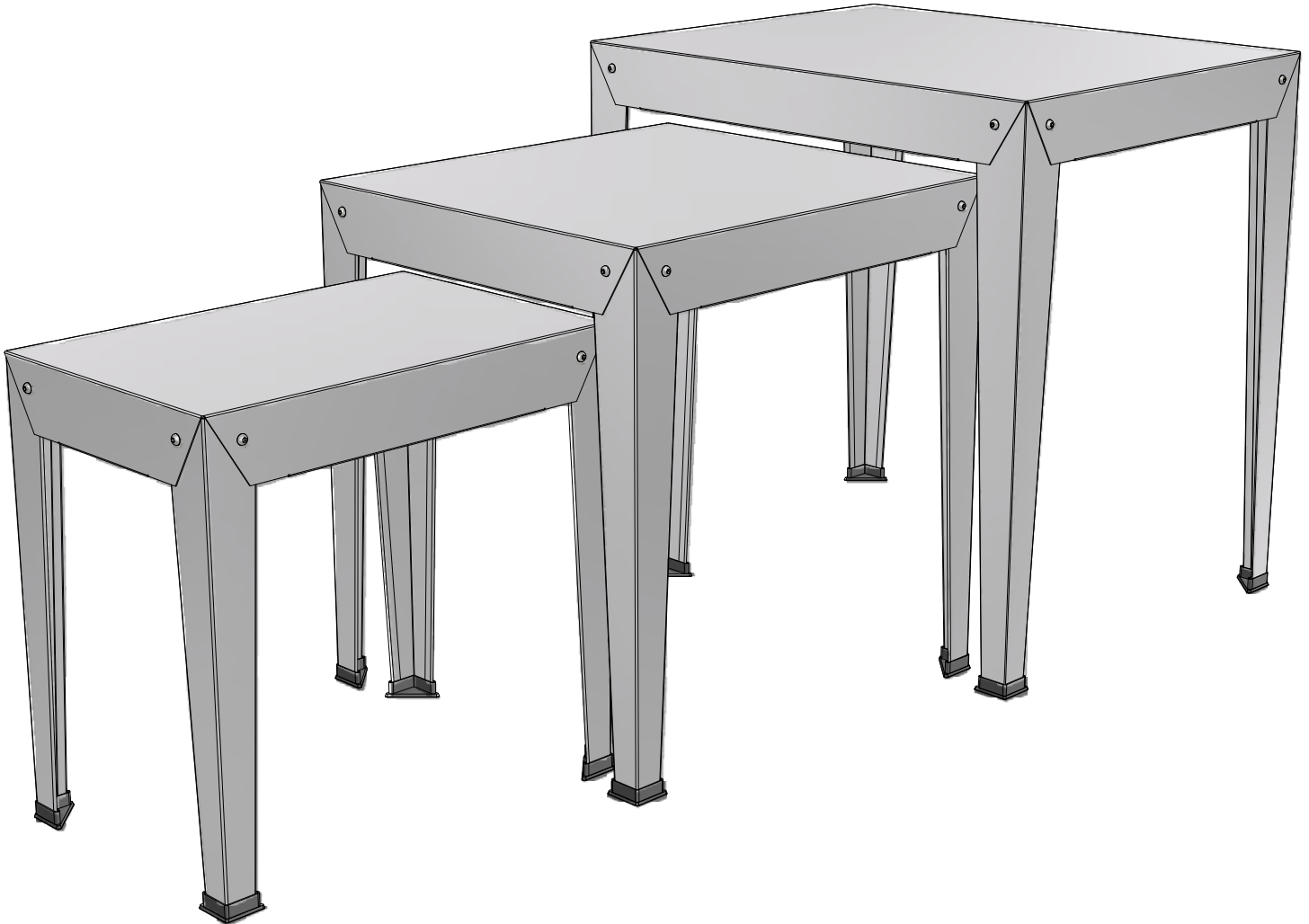
NT3010 nesting table set

ASSEMBLY INSTRUCTIONS

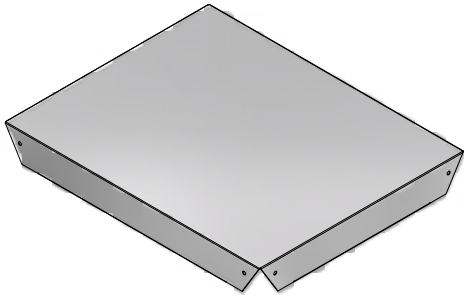


IMPORTANT

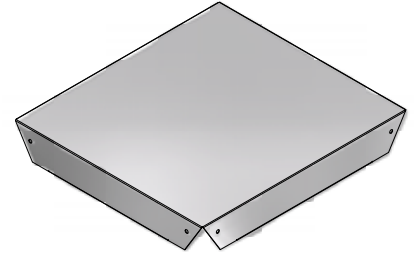
Please read these instructions carefully before you start to assemble this display. Save these instructions for future reference.



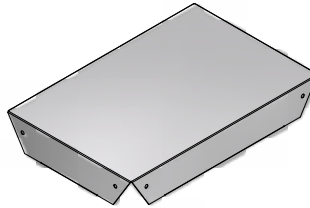
PARTS IDENTIFICATION



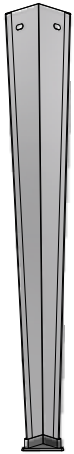
NT1006
24" x 30" TABLE TOP
(1)



NT1007
24" x 22" TABLE TOP
(1)



NT1008
22" x 14" TABLE TOP
(1)



NT1003
30" LEG
(4)



NT1004
25 3/4" LEG
(4)



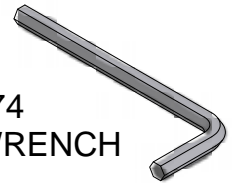
NT1005
21 1/2" LEG
(4)



NB1970
CAP SCREW
(24)



NB1886
FLAT WASHER
(24)



NB1974
3/16" HEX WRENCH
(1)



NB1862
LOCK WASHER
(24)

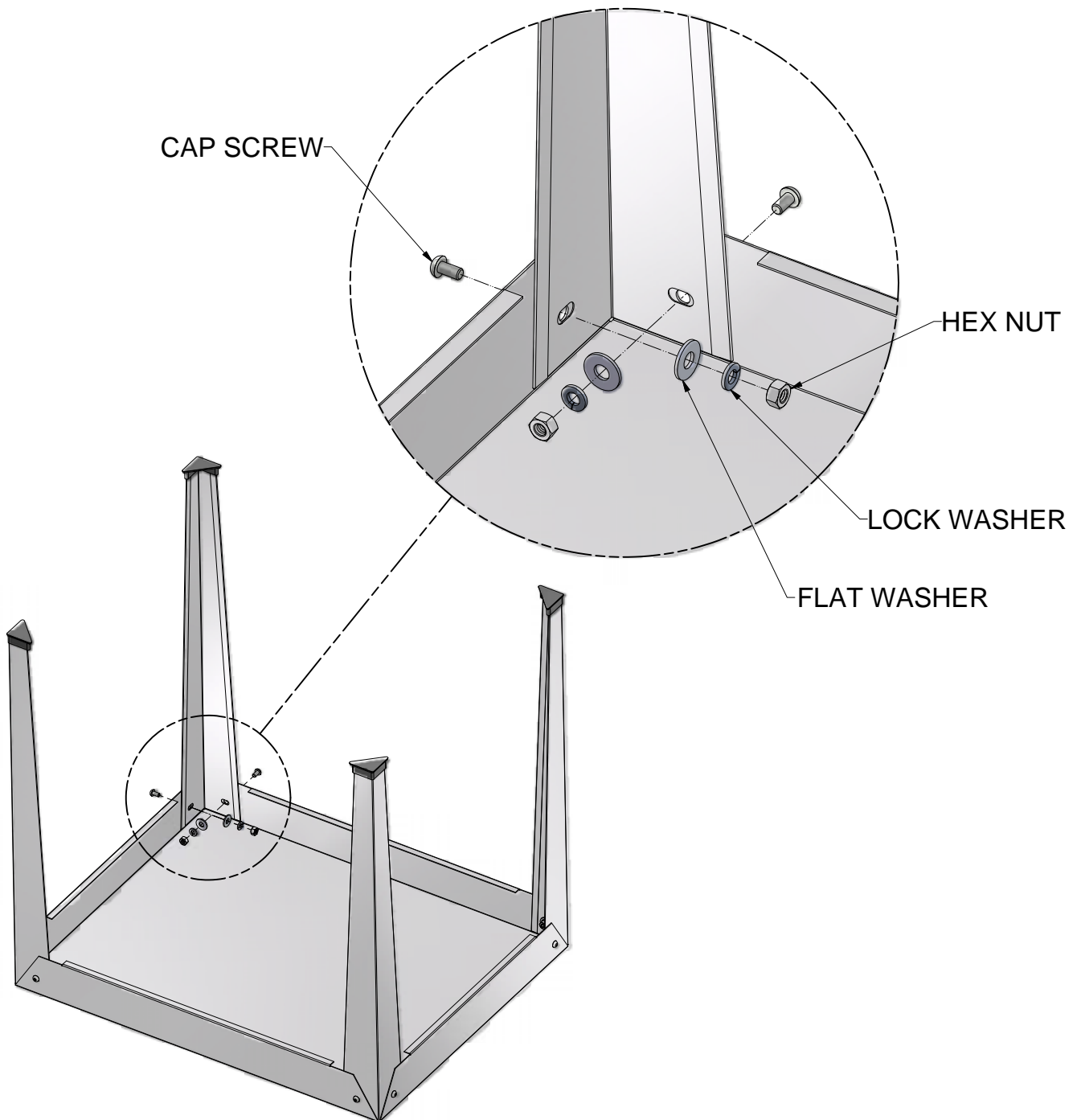


NB1872
HEX NUT
(24)

TOOLS & EQUIPMENT REQUIRED

3/16" hex wrench (included) & 1/2" open-end wrench are required to assemble this product.

ASSEMBLY INSTRUCTIONS



1. PLACE LEGS INSIDE TABLE TOPS AS SHOWN.
2. FASTEN TO TABLE TOP USING CAP SCREWS, FLAT WASHERS, LOCK WASHERS, AND HEX NUTS.
3. REPEAT FOR ALL FOUR LEGS ON ALL THREE TABLES.
THE 24" x 30" TABLE TOP USES (4) 30" LEGS.
THE 24" x 22" TABLE TOP USES (4) 25 3/4" LEGS.
THE 22" x 14" TABLE TOP USES (4) 21 1/2" LEGS.

SAFETY GUIDELINES

Do not climb, sit on, or use this product as a ladder. Injuries may occur.

Do not place or install electrical items on this product. Wet conditions are typical and electrical shock may occur.

Do not place this product on a slope that exceeds 3 degrees.

Do not move this display after product is in place. Damage to display and injuries may occur.

Lock casters (when provided) once display is in place to prevent movement.

Remove all debris or obstacles from caster's path before moving.

CARE & MAINTENANCE

To remove loose soil and debris, simply spray the soiled areas with a garden hose. You may need to remove the flop sheets to spray water on the bench tops for cleaning.

Prior to storage, all surfaces of this product should be sprayed down with water and allowed to dry completely.

Limited Warranty

Poly-Tex, Inc. warrants its products to be free from defects in material and workmanship for a period of (1) year from date of invoice. This warranty is provided to the original purchaser of the product and is not transferable. Poly-Tex does not warrant parts not manufactured by Poly-Tex, but does assign any transferable manufacturer or supplier warranties. Should any defect be found, full repair or replacement will be rendered to the customer at no cost following inspection by a Poly-Tex representative and the return of the defective product to our Castle Rock, MN factory. Expenses for removal or reinstallation of defective products will not be covered by the warranty.

POLY-TEX SHALL NOT BE HELD RESPONSIBLE FOR ANY SPECIAL OR CONSEQUENTIAL DAMAGES, OR FOR ANY DELAY IN PERFORMANCE OF THIS WARRANTY BEYOND OUR CONTROL. THIS WARRANTY IS EXCLUSIVE AND IN LIEU OF ALL OTHER WARRANTIES WHETHER IMPLIED, WRITTEN OR ORAL INCLUDING THE WARRANTIES OF MERCHANTABILITY AND FITNESS FOR A PARTICULAR PURPOSE.

This warranty does not cover damage from customer abuse, misuse, improper installation, customer modifications, customer negligence in performing normal maintenance, damage resulting from acts of nature.

Contact information
Poly-Tex, Inc. PO Box 458
27725 Danville Ave Castle Rock, MN 55010
Toll free (800) 852-3443 Fax (651) 463-2479
www.poly-tex.com