

# FB3006 bench display

## ASSEMBLY INSTRUCTIONS



### **IMPORTANT**

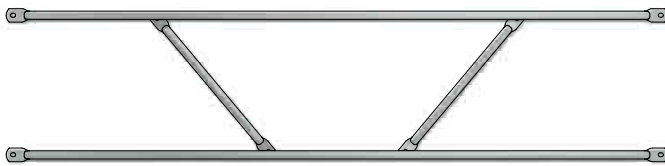
Please read these instructions carefully before you start to assemble this display. Save these instructions for future reference.



# PARTS IDENTIFICATION



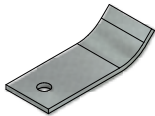
**BENCH END**  
(FB2012)  
qty (2)



**STABILIZER**  
(FB2537)  
qty (1)



**BENCH TOP**  
(RF2552)  
qty (2)



**NORSTAD CLIP**  
(FT3600)  
qty (4)



**THUMB SCREW**  
(NB1924)  
qty (4)

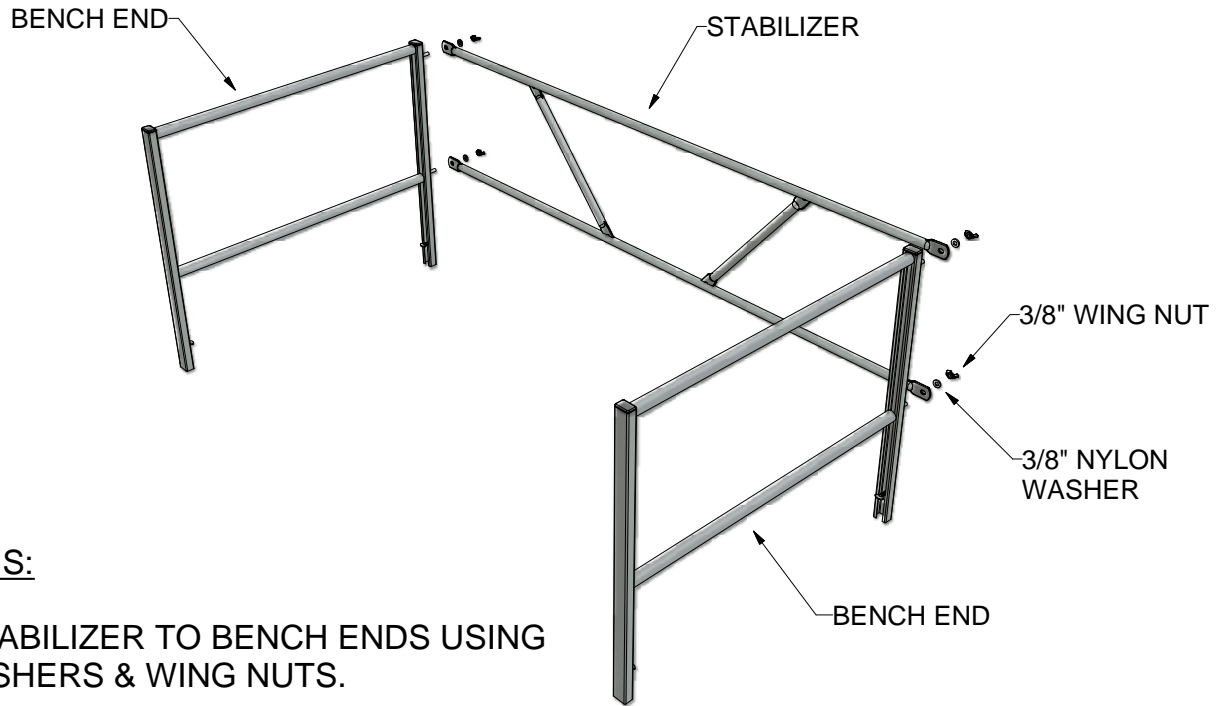


**3/8" WING NUT**  
(NB1901)  
qty (4)



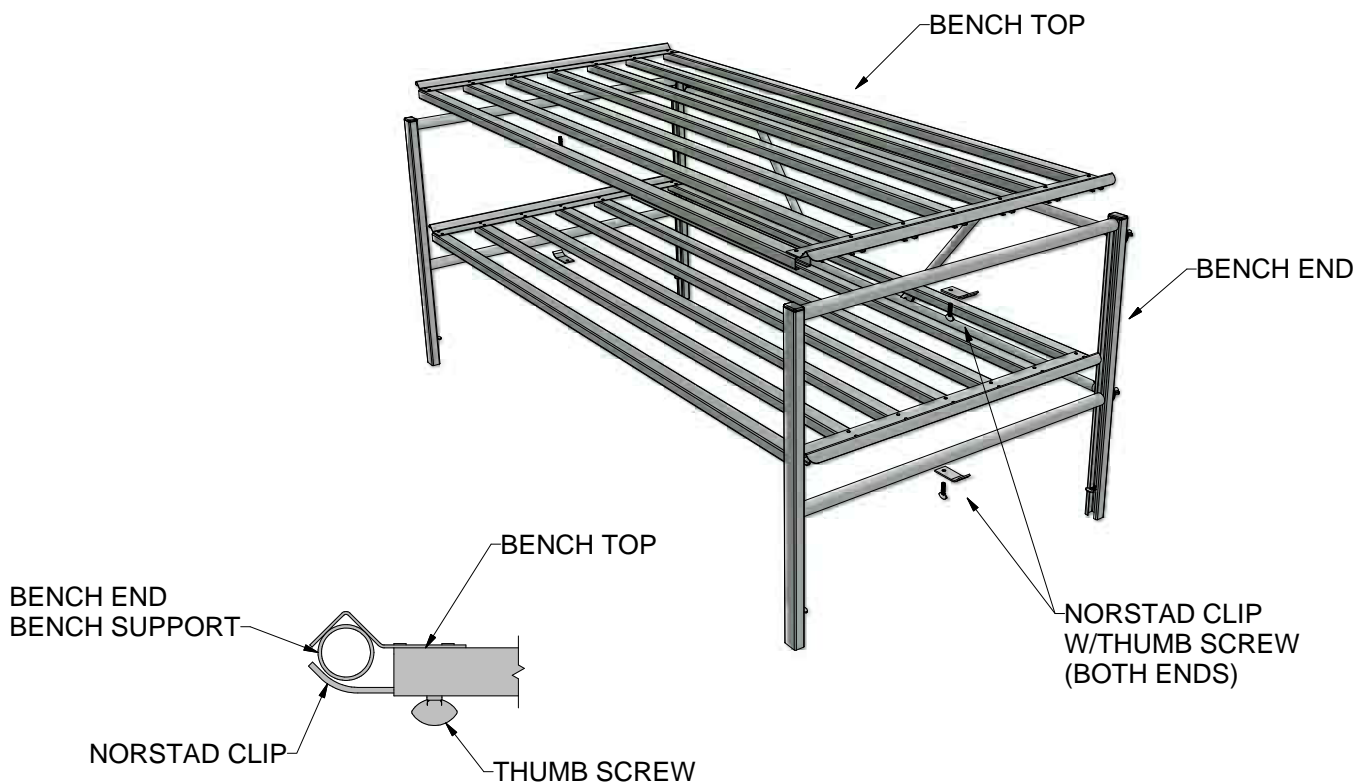
**3/8" NYLON WASHER**  
(NB1923)  
qty (4)

# ASSEMBLY INSTRUCTIONS



## INSTRUCTIONS:

1. ATTACH STABILIZER TO BENCH ENDS USING NYLON WASHERS & WING NUTS.
2. PLACE BENCH TOPS ON BENCH ENDS.
3. INSTALL NORSTAD CLIPS PER **FIGURE 1** BELOW.



**FIGURE 1**

# OPTIONAL BASKET TOWER



## PARTS IDENTIFICATION



U-BRACE  
(FB2002)  
qty (2)

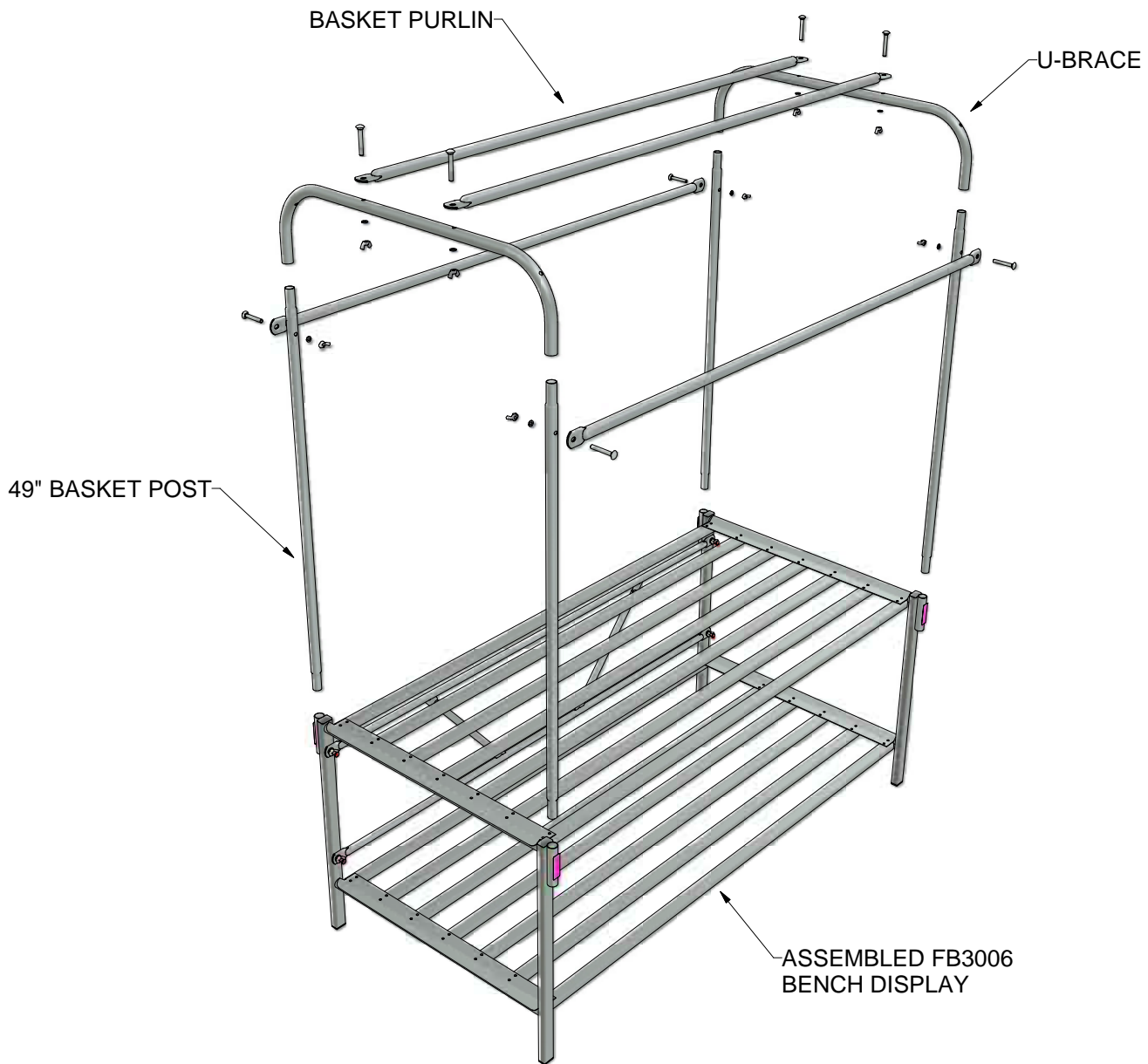


49" BASKET POST  
(FB2003)  
qty (4)



BASKET PURLIN  
(GM4000)  
qty (4)

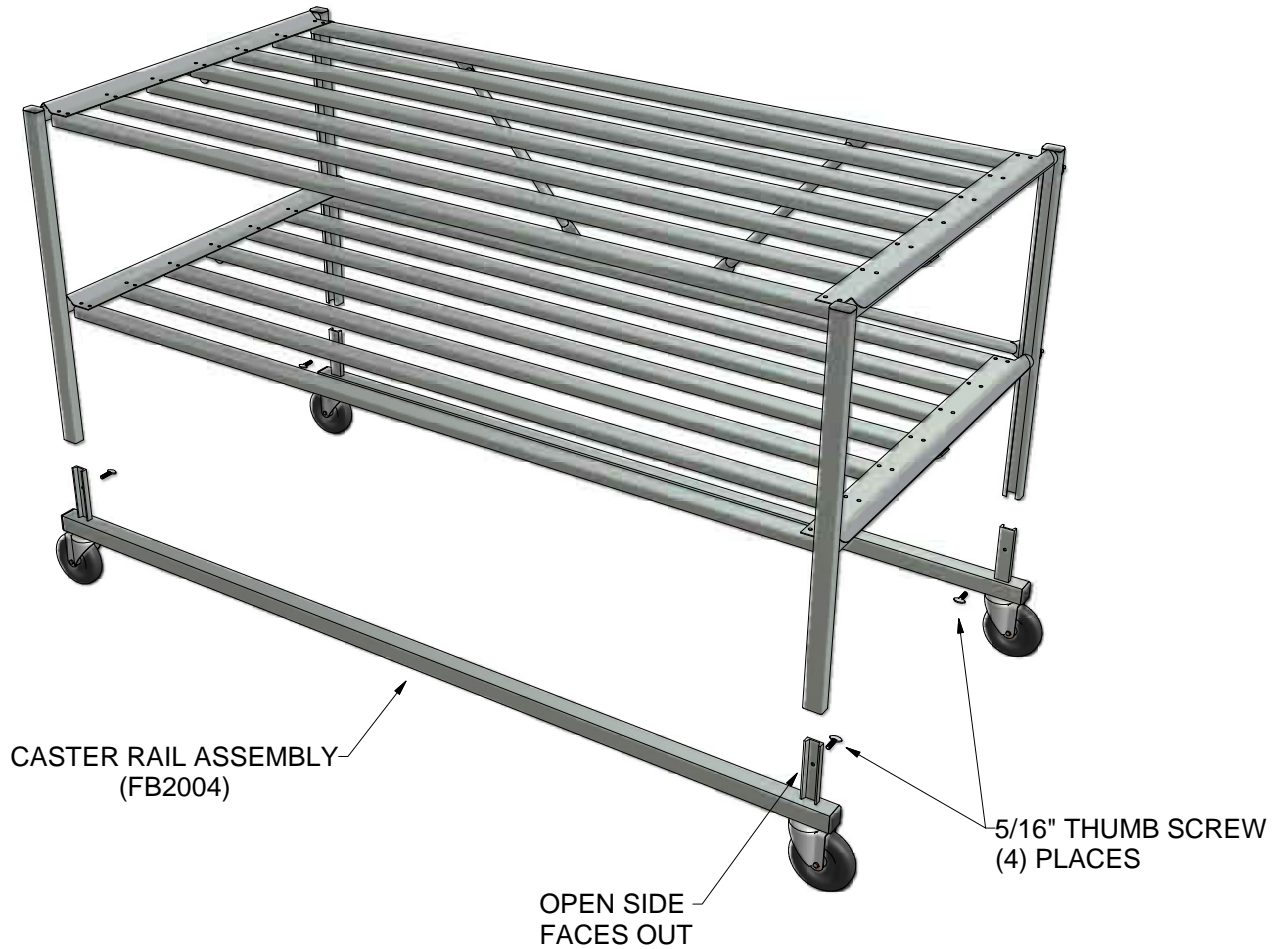
# OPTIONAL BASKET TOWER ASSEMBLY INSTRUCTIONS



## INSTRUCTIONS:

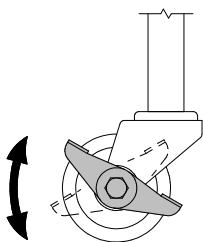
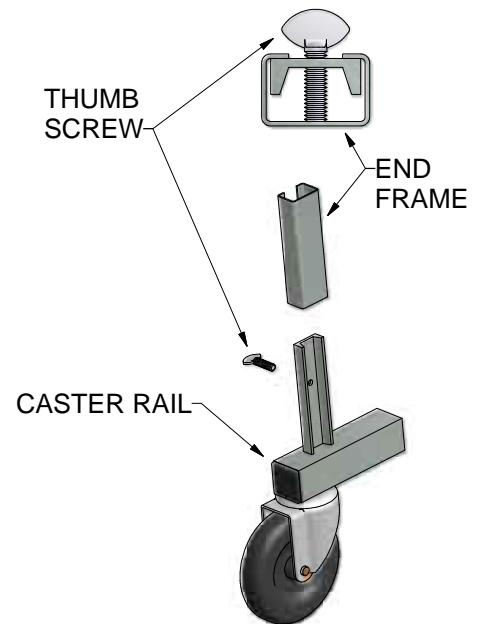
1. PLACE 49" BASKET POSTS INTO BENCH ENDS.
2. PLACE U-BRACES ONTO BASKET POSTS.
3. ATTACH BASKET PURLINS USING 5/16" x 2" LONG CARRIAGE BOLTS, LOCK WASHERS, AND WING NUTS.

# OPTIONAL CASTER RAILS

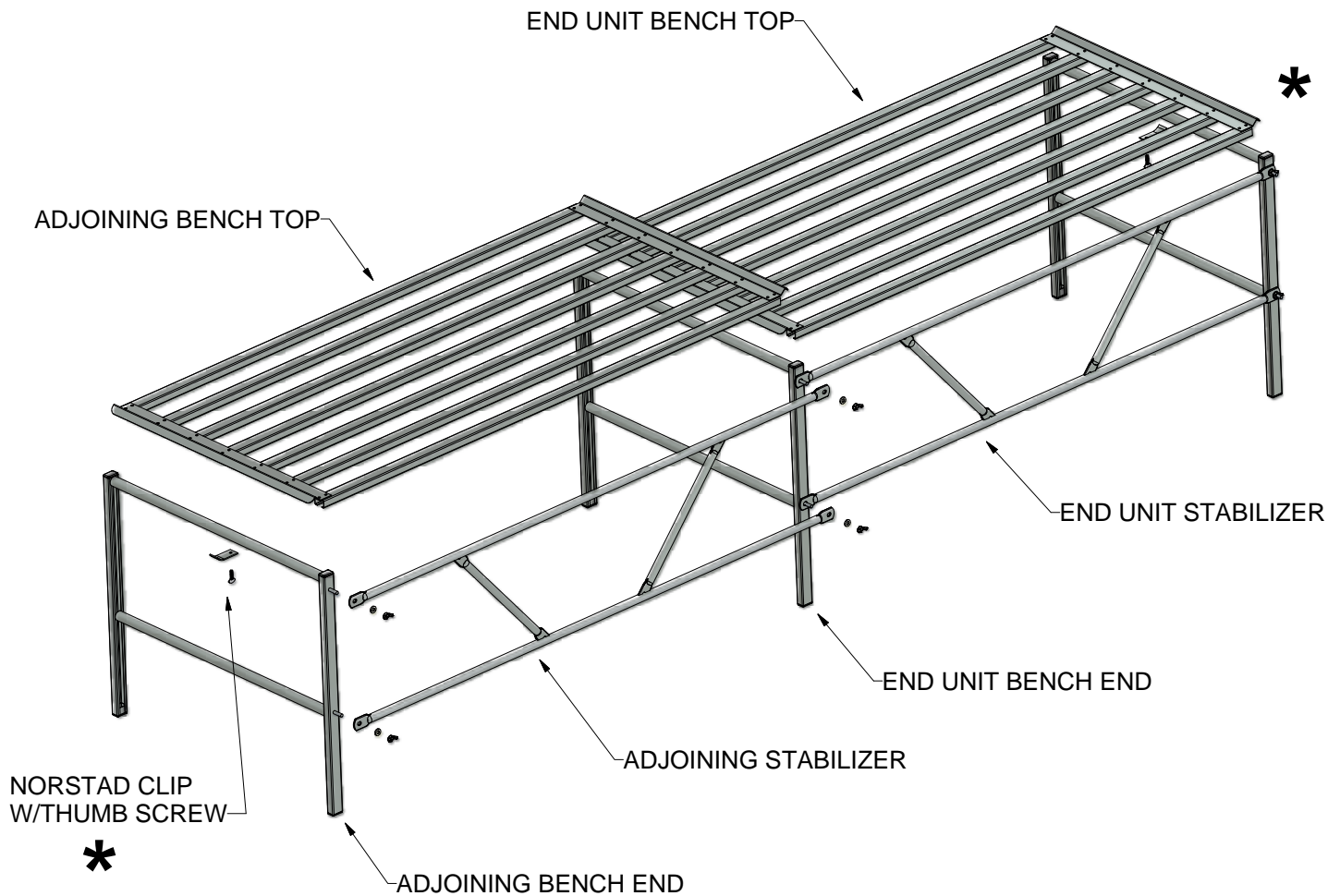


## INSTRUCTIONS:

TO INSTALL OPTIONAL CASTER RAILS, SLIDE CASTER RAILS INTO BENCH ENDS. TIGHTEN THUMB SCREWS SECURELY TO LOCK INTO PLACE.

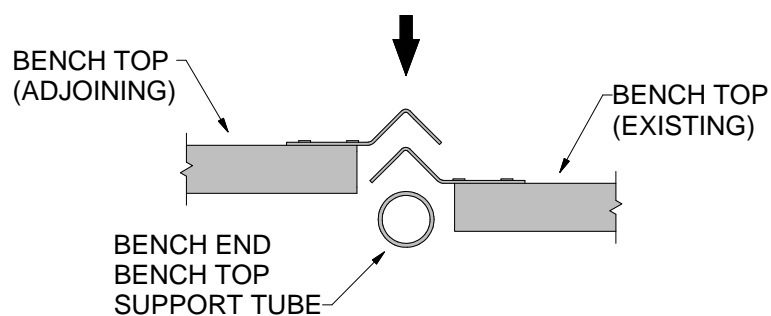


# ASSEMBLY INSTRUCTIONS - CONNECTED RUNS



## INSTRUCTIONS:

1. ATTACH ADJOINING UNIT'S STABILIZER AND BENCH END TO THE END UNIT'S BENCH END.
2. SET BENCH TOPS DOWN OVERLAPPING END UNIT'S BENCH TOPS AS SHOWN BELOW.
3. SECURE NORSTAD CLIPS ONLY ON END UNITS OF MULTIPLE UNITS JOINED TOGETHER (\*).



## SAFETY GUIDELINES

Do not climb, sit on, or use this product as a ladder due to possible injuries.

Do not place or install electrical items on this product. Wet conditions are typical and electrical shock is possible.

Do not place this product on a slope that exceeds 10 degrees.

If your display does not have casters, do not move this display after product is in place. Damage to display and injuries may occur.

If your display does have casters, once in place, all casters must be locked to prevent movement.

## CARE & MAINTENANCE

To remove loose soil and debris, simply spray the soiled areas with a garden hose. You may need to remove the flop sheets to spray water on the bench tops for cleaning.

Prior to storage, all surfaces of this product should be sprayed down with water and allowed to dry completely.

## TOOLS & EQUIPMENT REQUIRED

No tools are required to assemble this product.

### Limited Warranty

Poly-Tex, Inc. warrants its products to be free from defects in material and workmanship for a period of (1) year from date of invoice. This warranty is provided to the original purchaser of the product and is not transferable. Poly-Tex does not warrant parts not manufactured by Poly-Tex, but does assign any transferable manufacturer or supplier warranties. Should any defect be found, full repair or replacement will be rendered to the customer at no cost following inspection by a Poly-Tex representative and the return of the defective product to our Castle Rock, MN factory. Expenses for removal or reinstallation of defective products will not be covered by the warranty.

**POLY-TEX SHALL NOT BE HELD RESPONSIBLE FOR ANY SPECIAL OR CONSEQUENTIAL DAMAGES, OR FOR ANY DELAY IN PERFORMANCE OF THIS WARRANTY BEYOND OUR CONTROL. THIS WARRANTY IS EXCLUSIVE AND IN LIEU OF ALL OTHER WARRANTIES WHETHER IMPLIED, WRITTEN OR ORAL INCLUDING THE WARRANTIES OF MERCHANTABILITY AND FITNESS FOR A PARTICULAR PURPOSE.**

This warranty does not cover damage from customer abuse, misuse, improper installation, customer modifications, customer negligence in performing normal maintenance, damage resulting from acts of nature.

Contact information  
Poly-Tex, Inc. PO Box 458  
27725 Danville Ave Castle Rock, MN 55010  
Toll free (800) 852-3443 Fax (651) 463-2479  
[www.poly-tex.com](http://www.poly-tex.com)