

CD3570

357 circle display

ASSEMBLY INSTRUCTIONS

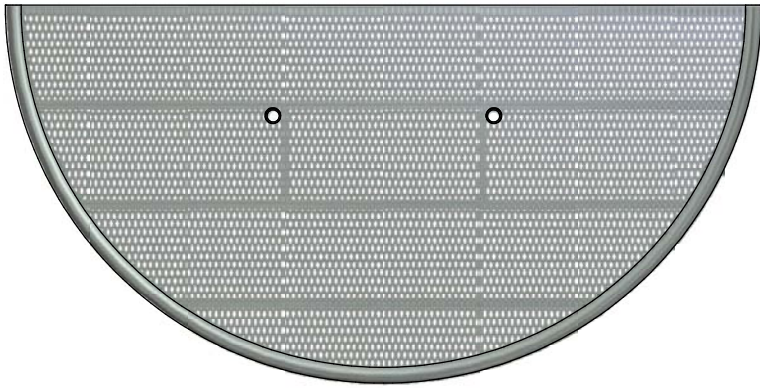


IMPORTANT

Please read these instructions carefully before you start to assemble this display. Save these instructions for future reference.



PARTS IDENTIFICATION



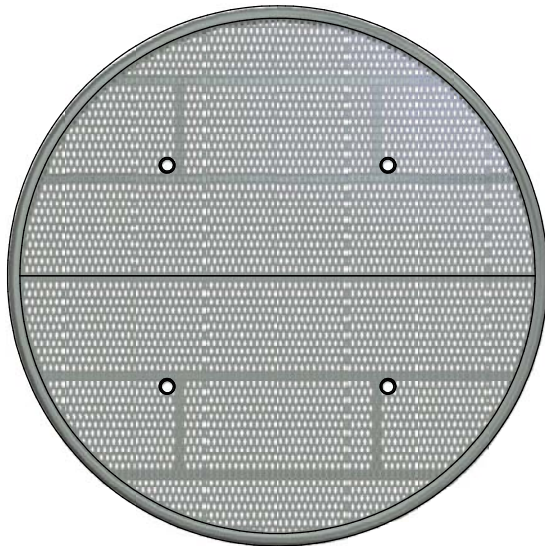
CD3571
CIRCULAR HALF SHELF (7')



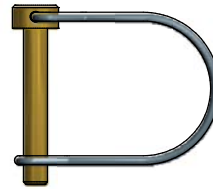
CD3573
CIRCULAR SHELF (3')



CD3574
VERTICAL 54 3/4"



CD3572
CIRCULAR SHELF (5')



NB1968
SNAP PIN



NB1850
5/16" x 2 1/2"
HEX BOLT



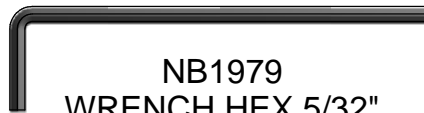
NB1862
5/16" LOCK WASHER



NB1872
HEX NUT 5/16" ZP



NB1978
5/16" x 3/8"
SET SCREW



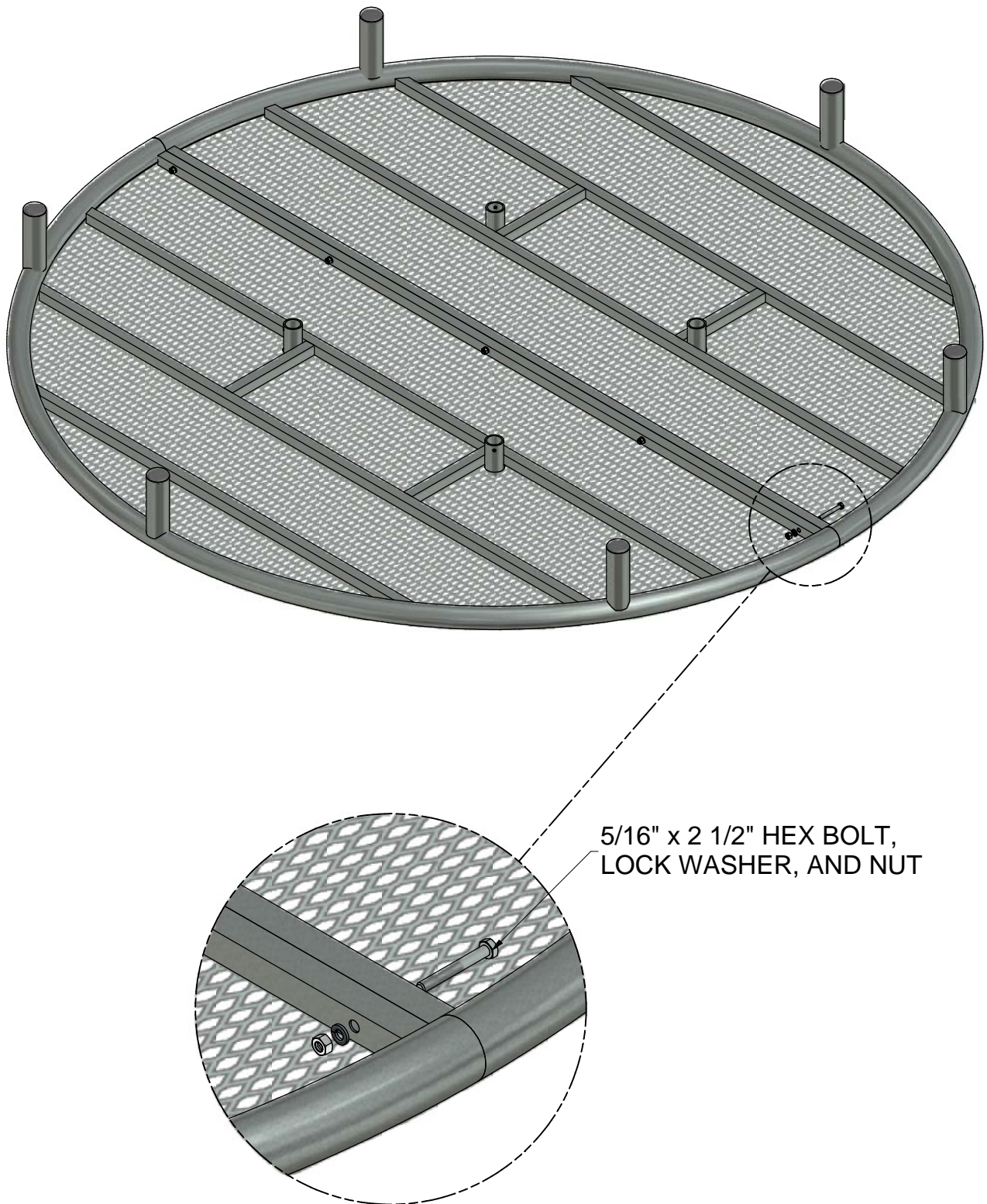
NB1979
WRENCH HEX 5/32"

TOOLS & EQUIPMENT REQUIRED

1/2" SOCKET AND 1/2" WRENCH

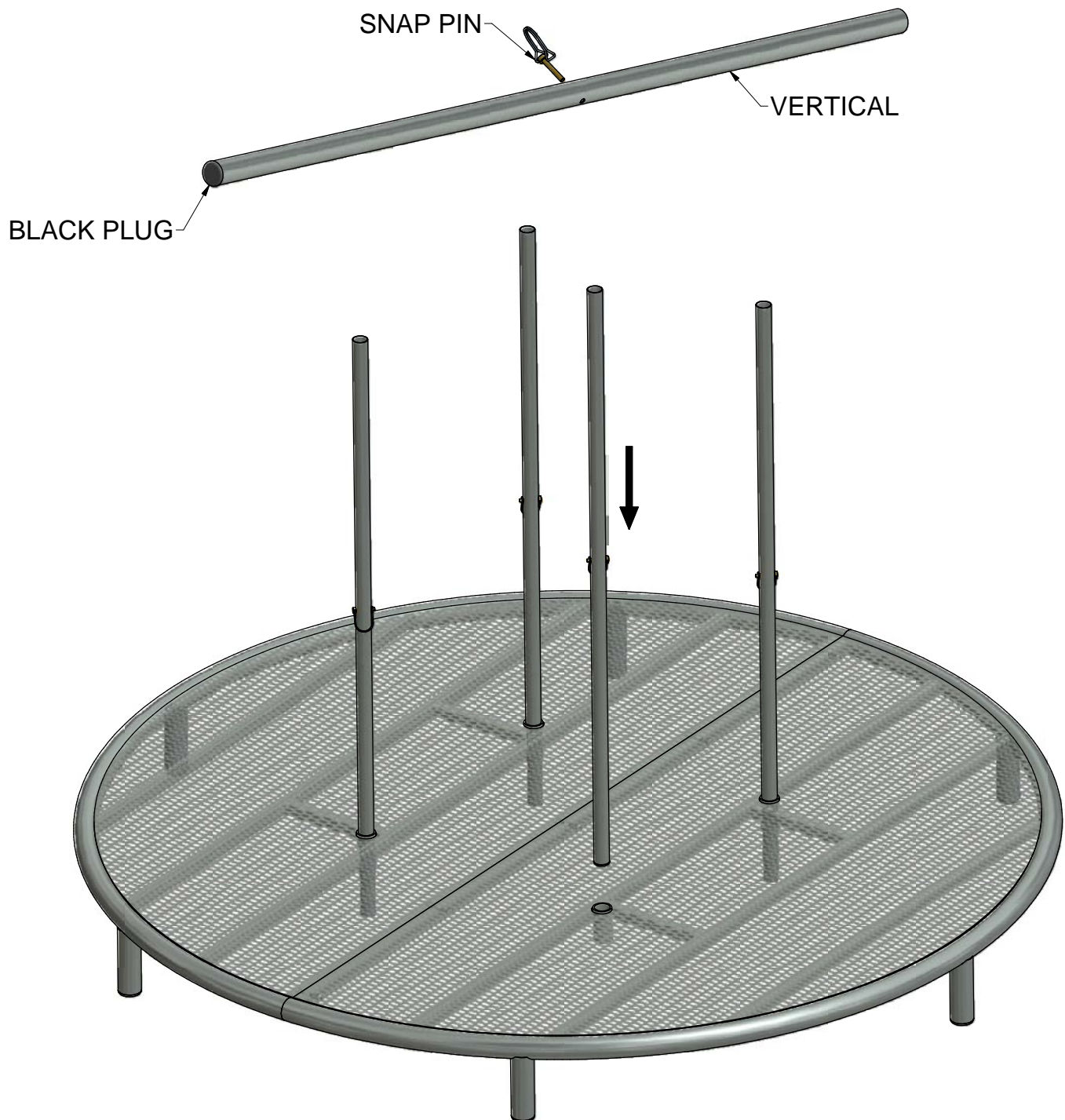
ASSEMBLY INSTRUCTIONS

1. LAY THE 7' HALF SECTIONS FACE DOWN ON A FLAT SURFACE.
2. USE 5/16" x 2 1/2" HEX BOLTS, LOCK WASHERS, AND NUTS TO CONNECT THE SECTIONS TOGETHER THEN TIGHTEN SECURELY.



ASSEMBLY INSTRUCTIONS

3. INSERT THE SNAP PIN IN THE HOLE OF THE VERTICAL AS SHOWN.
4. CAREFULLY TURN THE 7' SHELF UNIT OVER AND INSERT THE VERTICALS INTO THE SOCKETS WITH THE BLACK PLUG ON THE BOTTOM AS SHOWN.



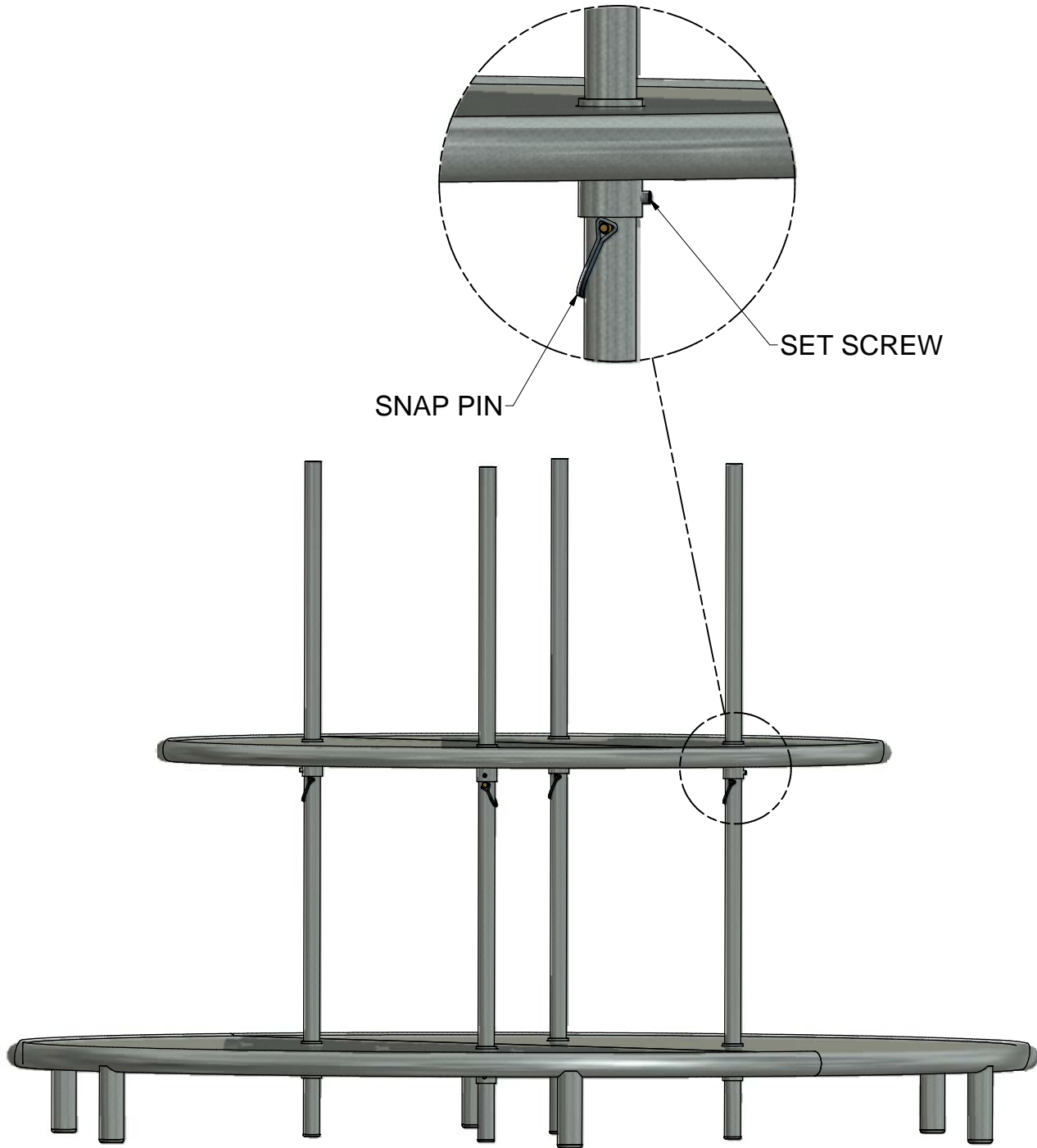
ASSEMBLY INSTRUCTIONS

5. INSERT THE VERTICALS THROUGH THE 5' CIRCULAR SHELF UNTIL THE SHELF RESTS ON THE SNAP PINS.



ASSEMBLY INSTRUCTIONS

6. TIGHTEN THE SHELF TO THE VERTICALS USING THE SET SCREW & WRENCH PROVIDED.



ASSEMBLY INSTRUCTIONS

7. INSERT THE 3' SHELF INTO THE VERTICALS AS SHOWN MAKING SURE IT RESTS ON TOP OF THE VERTICALS.



SAFETY GUIDELINES

Do not climb, sit on, or use this product as a ladder. Injuries may occur.

Do not place or install electrical items on this product. Wet conditions are typical and electrical shock may occur.

Do not place this product on a slope that exceeds 3 degrees.

Do not move this display after product is in place. Damage to display and injuries may occur.

CARE & MAINTENANCE

To remove loose soil and debris, simply spray the soiled areas with water from a garden hose.

Prior to storage, all surfaces of this product should be sprayed down with water and allowed to dry completely.

Limited Warranty

Poly-Tex, Inc. warrants its products to be free from defects in material and workmanship for a period of (1) year from date of invoice. This warranty is provided to the original purchaser of the product and is not transferable. Poly-Tex does not warrant parts not manufactured by Poly-Tex, but does assign any transferable manufacturer or supplier warranties. Should any defect be found, full repair or replacement will be rendered to the customer at no cost following inspection by a Poly-Tex representative and the return of the defective product to our Castle Rock, MN factory. Expenses for removal or reinstallation of defective products will not be covered by the warranty.

POLY-TEX SHALL NOT BE HELD RESPONSIBLE FOR ANY SPECIAL OR CONSEQUENTIAL DAMAGES, OR FOR ANY DELAY IN PERFORMANCE OF THIS WARRANTY BEYOND OUR CONTROL. THIS WARRANTY IS EXCLUSIVE AND IN LIEU OF ALL OTHER WARRANTIES WHETHER IMPLIED, WRITTEN OR ORAL INCLUDING THE WARRANTIES OF MERCHANTABILITY AND FITNESS FOR A PARTICULAR PURPOSE.

This warranty does not cover damage from customer abuse, misuse, improper installation, customer modifications, customer negligence in performing normal maintenance, damage resulting from acts of nature.

Contact information
Poly-Tex, Inc. PO Box 458
27725 Danville Ave Castle Rock, MN 55010
Toll free (800) 852-3443 Fax (651) 463-2479
www.poly-tex.com