

# PD3006

## ASSEMBLY INSTRUCTIONS

# paver display 6ft

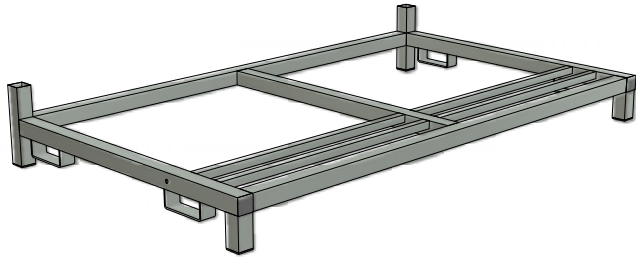


### IMPORTANT

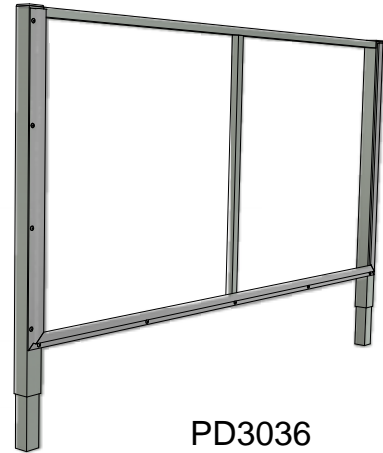
Please read these instructions carefully before you start to assemble this display. Save these instructions for future reference.



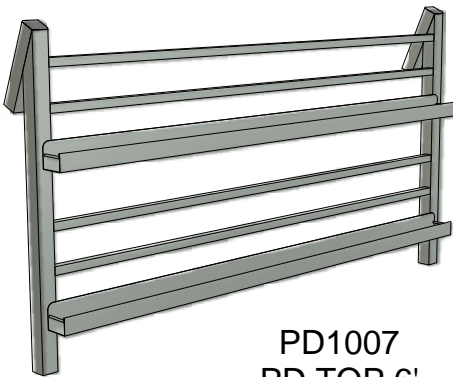
# PARTS IDENTIFICATION



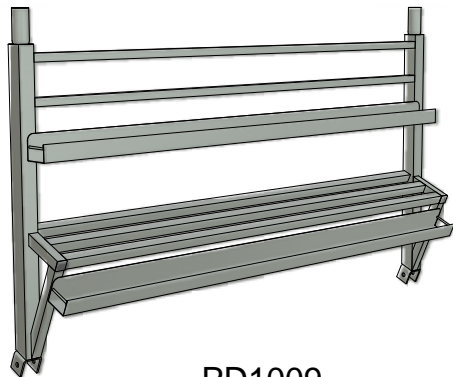
PD1006  
PD BASE 6'



PD3036  
PD SIGN HOLDER 6'  
(OPTIONAL)



PD1007  
PD TOP 6'



PD1009  
PD BOTTOM W/BENCH 6'



PD1010  
PD BACK LEG



NB1757  
HEX BOLT 3/8" x 3"  
(2)



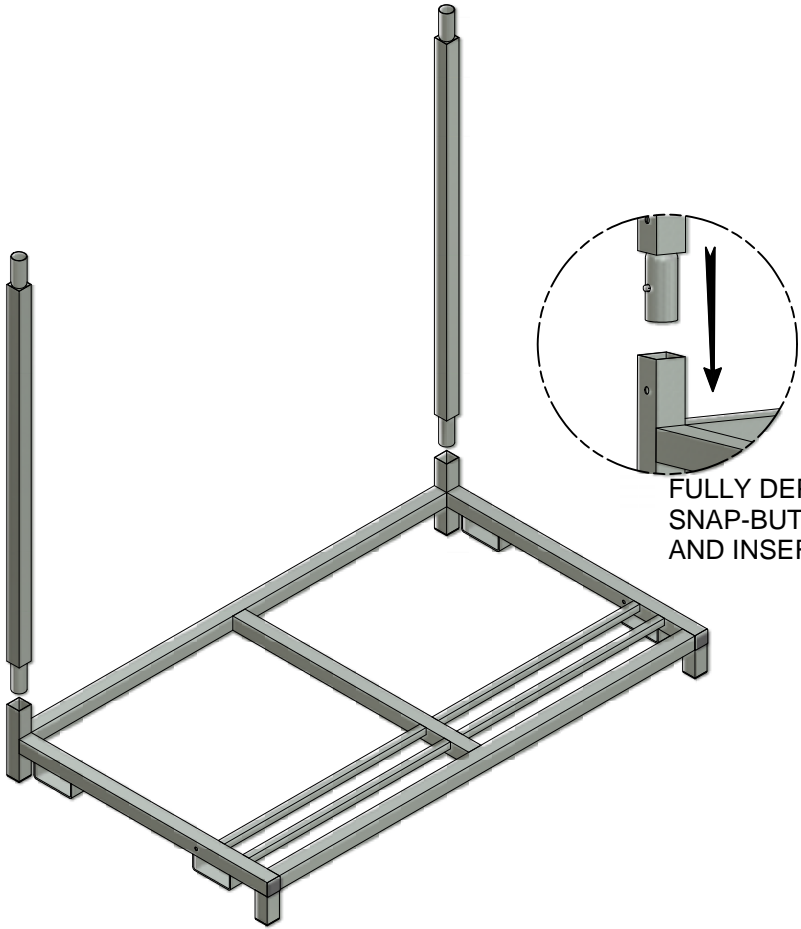
NB1864  
LOCK WASHER 3/8"  
(2)



NB1901  
WING NUT 3/8"  
(2)

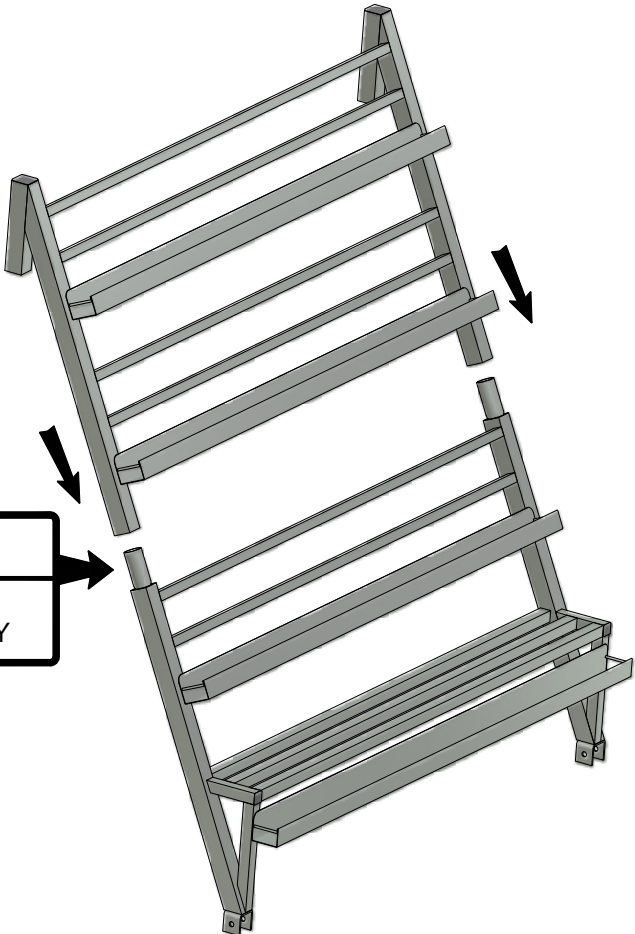
## TOOLS & EQUIPMENT REQUIRED

# PAVER DISPLAY ASSEMBLY INSTRUCTIONS




FULLY DEPRESS  
SNAP-BUTTON  
AND INSERT LEG.

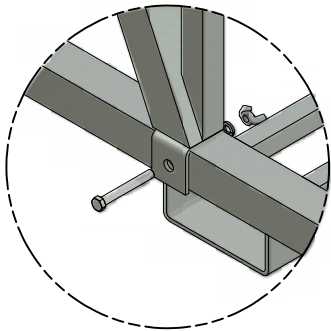
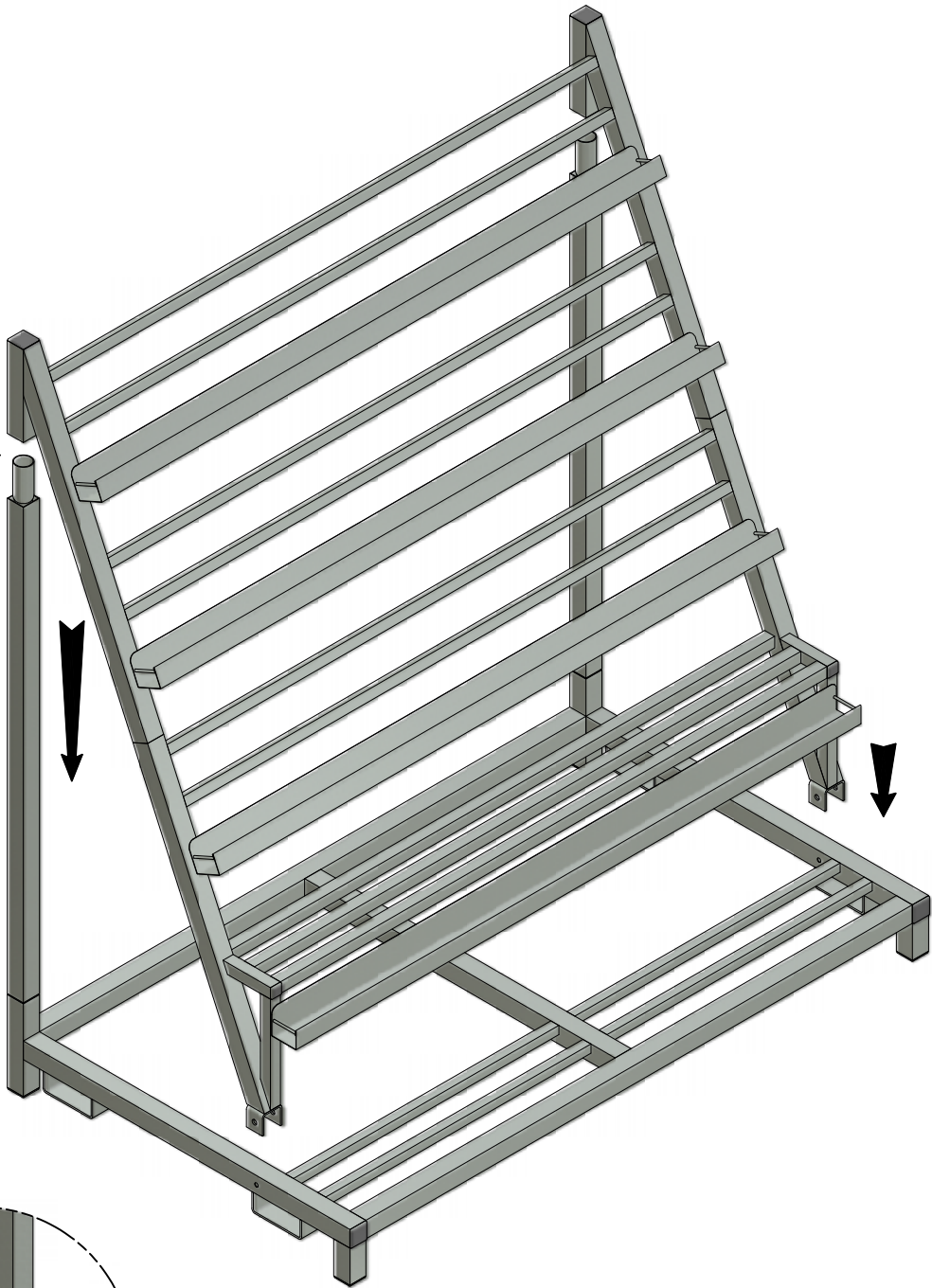
	PINCH HAZARD
	USE CAUTION DURING ASSEMBLY




	PINCH HAZARD
	USE CAUTION DURING ASSEMBLY

# PAVER DISPLAY ASSEMBLY INSTRUCTIONS

 PINCH HAZARD  
USE CAUTION  
DURING ASSEMBLY



 TIP OVER HAZARD  
DO NOT MOVE PAVER DISPLAY  
WITH PRODUCT IN PLACE

# OPTIONAL SIGN HOLDER ASSEMBLY INSTRUCTIONS



## SAFETY GUIDELINES

**Do not** climb, sit on, or use this product as a ladder. Injuries may occur.

**Do not** place or install electrical items on this product. Wet conditions are typical and electrical shock may occur.

**Do not** place this product on a slope that exceeds 3 degrees.

**Do not** move this display after product is in place. Damage to display and injuries may occur.

**Lock casters** (when provided) once display is in place to prevent movement.

**Remove all** debris or obstacles from caster's path before moving.

## CARE & MAINTENANCE

To remove loose soil and debris, simply spray the soiled areas with a garden hose.

Prior to storage, all surfaces of this product should be sprayed down with water and allowed to dry completely.

### Limited Warranty

Poly-Tex, Inc. warrants its products to be free from defects in material and workmanship for a period of (1) year from date of invoice. This warranty is provided to the original purchaser of the product and is not transferable. Poly-Tex does not warrant parts not manufactured by Poly-Tex, but does assign any transferable manufacturer or supplier warranties. Should any defect be found, full repair or replacement will be rendered to the customer at no cost following inspection by a Poly-Tex representative and the return of the defective product to our Castle Rock, MN factory. Expenses for removal or reinstallation of defective products will not be covered by the warranty.

**POLY-TEX SHALL NOT BE HELD RESPONSIBLE FOR ANY SPECIAL OR CONSEQUENTIAL DAMAGES, OR FOR ANY DELAY IN PERFORMANCE OF THIS WARRANTY BEYOND OUR CONTROL. THIS WARRANTY IS EXCLUSIVE AND IN LIEU OF ALL OTHER WARRANTIES WHETHER IMPLIED, WRITTEN OR ORAL INCLUDING THE WARRANTIES OF MERCHANTABILITY AND FITNESS FOR A PARTICULAR PURPOSE.**

This warranty does not cover damage from customer abuse, misuse, improper installation, customer modifications, customer negligence in performing normal maintenance, damage resulting from acts of nature.

Contact information  
Poly-Tex, Inc. PO Box 458  
27725 Danville Ave Castle Rock, MN 55010  
Toll free (800) 852-3443 Fax (651) 463-2479  
[www.poly-tex.com](http://www.poly-tex.com)