

FB3025-4 flate mate - 4' display

ASSEMBLY INSTRUCTIONS

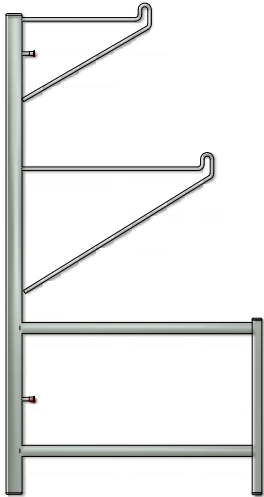


IMPORTANT

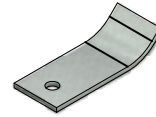
Please read these instructions carefully before you start to assemble this display. Save these instructions for future reference.



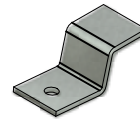
PARTS IDENTIFICATION



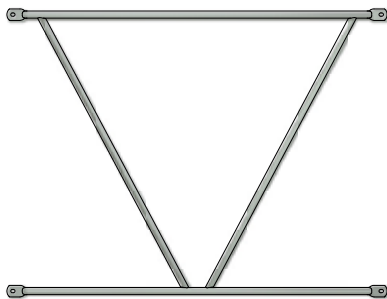
FB2023
BENCH END
(2)



FT3600
NORSTAD CLIP
(4)



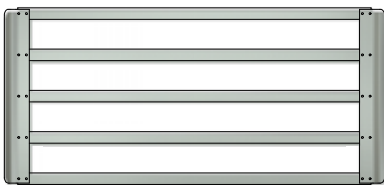
FT3200
STACKER CLIP
(4)



FB2539
STABILIZER
(1)



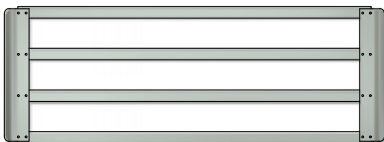
NB1924
THUMB SCREW
(8)



RF2548
23" x 4' BENCH TOP
(2)



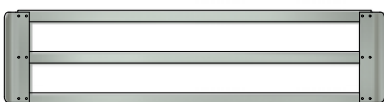
NB1901
WING NUT
(4)



RF2543
18" x 4' BENCH TOP
(1)



NB1923
NYLON WASHER
(4)



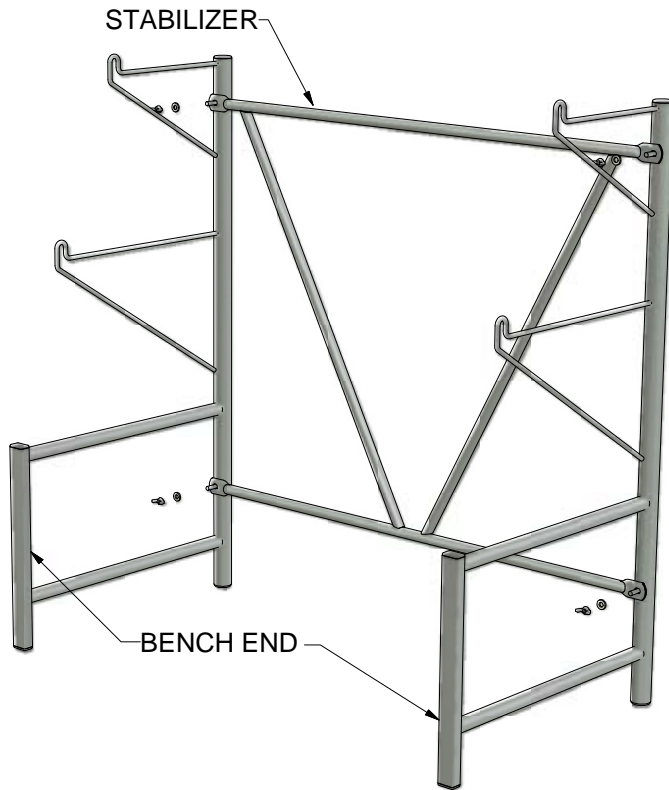
RF2547
12" X 4' BENCH TOP
(1)

TOOLS & EQUIPMENT REQUIRED

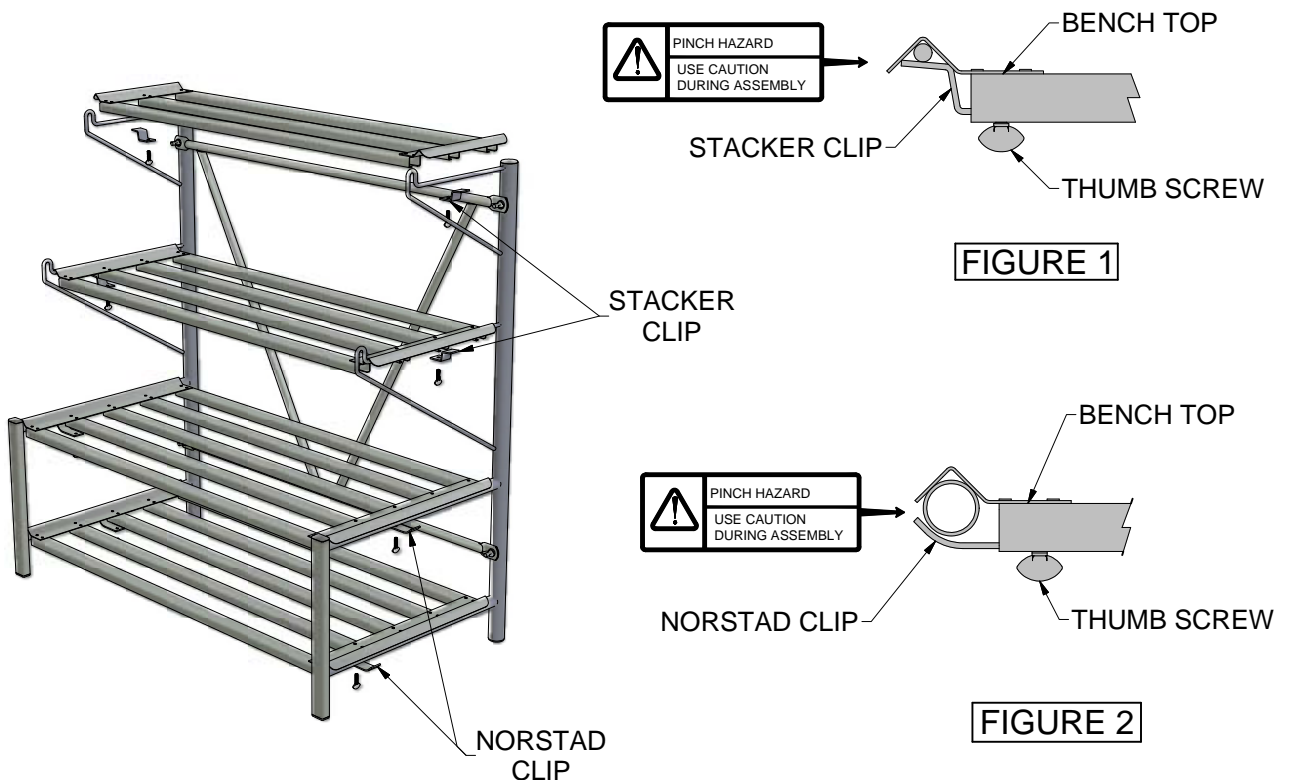
No tools are required for the assembly of this product.

ASSEMBLY INSTRUCTIONS

FB3025-4 FLAT MATE - 4'



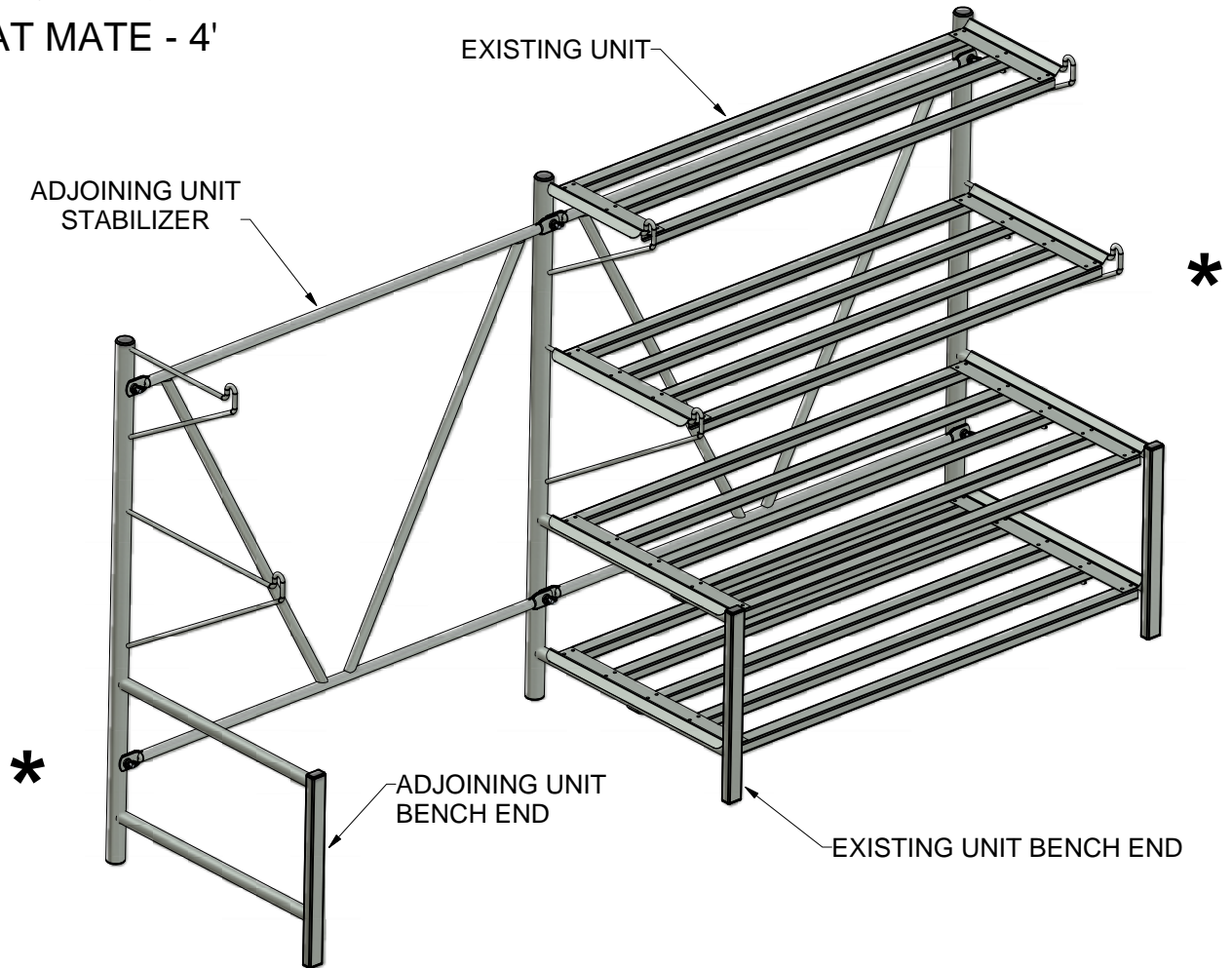
1. ATTACH STABILIZER TO THREADED STUDS ON BENCH ENDS USING NYLON WASHERS AND WING NUTS.
2. SET BENCH TOPS IN PLACE.
3. SECURE UPPER BENCH TOPS WITH STACKER CLIPS. SEE **FIGURE 1**
4. SECURE LOWER BENCH TOPS WITH NORSTAD CLIPS. SEE **FIGURE 2**



ASSEMBLY INSTRUCTIONS - CONNECTED RUNS

FB3025-4

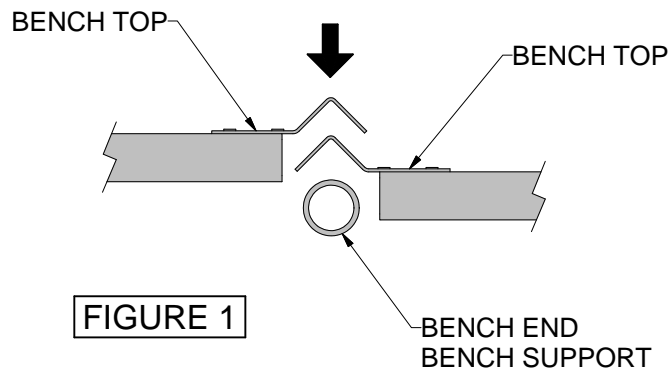
FLAT MATE - 4'



INSTRUCTIONS:

1. ATTACH ADJOINING UNIT'S STABILIZER AND BENCH END TO THE EXISTING UNIT'S BENCH END. SET BENCH TOPS OVERLAPPING EXISTING BENCH TOPS AS SHOWN IN FIGURE 1.

* SECURE CLIPS ONLY ON END UNITS OF MULTIPLE UNITS JOINED TOGETHER.



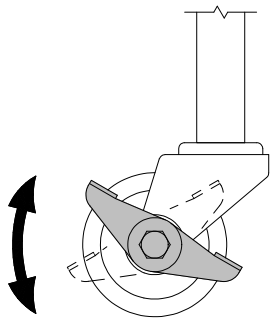
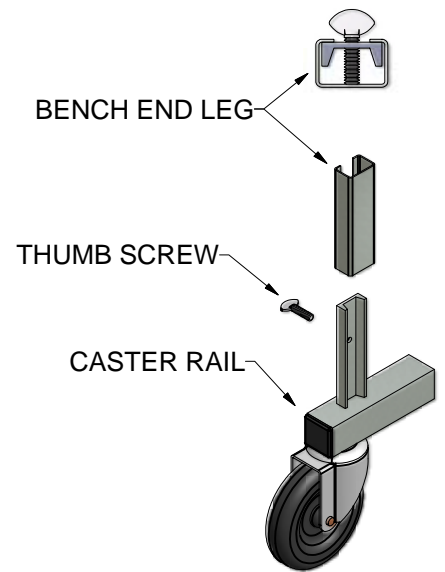
CASTER OPTION



INSTRUCTIONS:

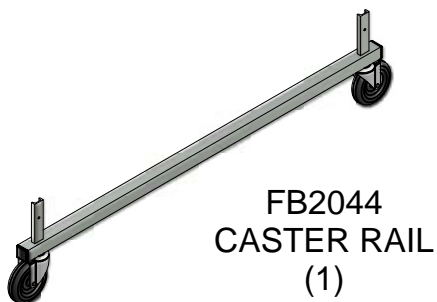
1. SLIDE CASTER RAIL INTO BOTTOM OF BENCH ENDS.
2. TIGHTEN THUMB SCREWS TO LOCK INTO PLACE.

BENCH END WITH CASTER (FB2026)



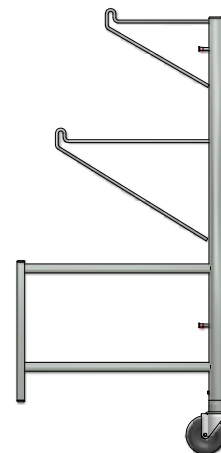
ONCE DISPLAY IS IN PLACE, ALL CASTERS MUST BE LOCKED TO PREVENT MOVEMENT. THE BRAKE IS ACTIVATED BY ROTATING THE LEVER FROM THE "OFF" POSITION TO THE "ON" POSITION.

PARTS IDENTIFICATION



FB2044
CASTER RAIL
(1)

FB2026
BENCH END
WITH CASTER
(2)



SAFETY GUIDELINES

Do not climb, sit on, or use this product as a ladder. Injuries may occur.

Do not place or install electrical items on this product. Wet conditions are typical and electrical shock may occur.

Do not place this product on a slope that exceeds 3 degrees.

Do not move this display after product is in place. Damage to display and injuries may occur.

Lock casters (when provided) once display is in place to prevent movement.

Remove all debris or obstacles from caster's path before moving.

CARE & MAINTENANCE

To remove loose soil and debris, simply spray the soiled areas with a garden hose.

Prior to storage, all surfaces of this product should be sprayed down with water and allowed to dry completely.

Limited Warranty

Poly-Tex, Inc. warrants its products to be free from defects in material and workmanship for a period of (1) year from date of invoice. This warranty is provided to the original purchaser of the product and is not transferable. Poly-Tex does not warrant parts not manufactured by Poly-Tex, but does assign any transferable manufacturer or supplier warranties. Should any defect be found, full repair or replacement will be rendered to the customer at no cost following inspection by a Poly-Tex representative and the return of the defective product to our Castle Rock, MN factory. Expenses for removal or reinstallation of defective products will not be covered by the warranty.

POLY-TEX SHALL NOT BE HELD RESPONSIBLE FOR ANY SPECIAL OR CONSEQUENTIAL DAMAGES, OR FOR ANY DELAY IN PERFORMANCE OF THIS WARRANTY BEYOND OUR CONTROL. THIS WARRANTY IS EXCLUSIVE AND IN LIEU OF ALL OTHER WARRANTIES WHETHER IMPLIED, WRITTEN OR ORAL INCLUDING THE WARRANTIES OF MERCHANTABILITY AND FITNESS FOR A PARTICULAR PURPOSE.

This warranty does not cover damage from customer abuse, misuse, improper installation, customer modifications, customer negligence in performing normal maintenance, damage resulting from acts of nature.

Contact information
Poly-Tex, Inc. PO Box 458
27725 Danville Ave Castle Rock, MN 55010
Toll free (800) 852-3443 Fax (651) 463-2479
www.poly-tex.com