

FB3024 double bench display

ASSEMBLY INSTRUCTIONS

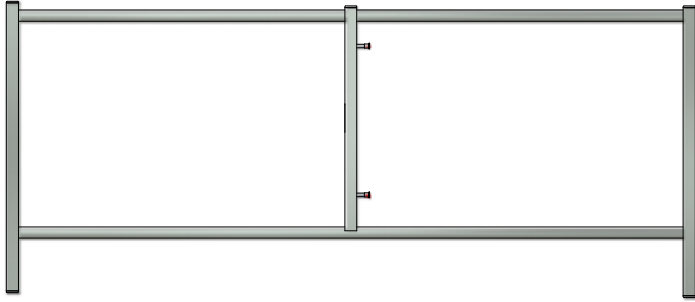


IMPORTANT

Please read these instructions carefully before you start to assemble this display. Save these instructions for future reference.



PARTS IDENTIFICATION



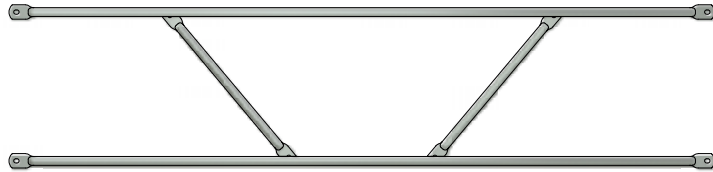
FB1503
DOUBLE BENCH END
(2)



NB1901
3/8" WING NUT
(4)



NB1923
3/8" NYLON WASHER
(4)



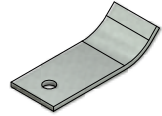
FB2537
15-1/2" STABILIZER
(1)



NB1924
THUMB SCREW
(8)

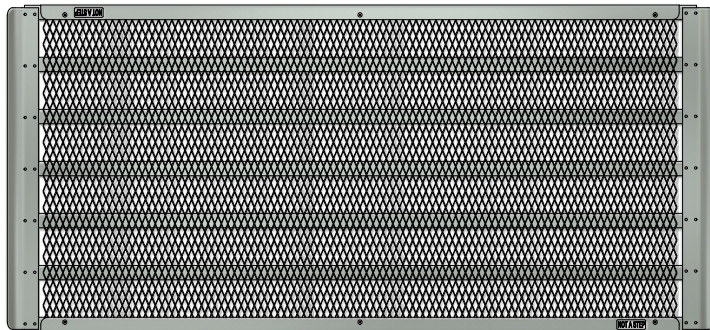


RF2552
3' x 6' BENCH TOP
(4)



FT3600
NORSTAD CLIP
(8)

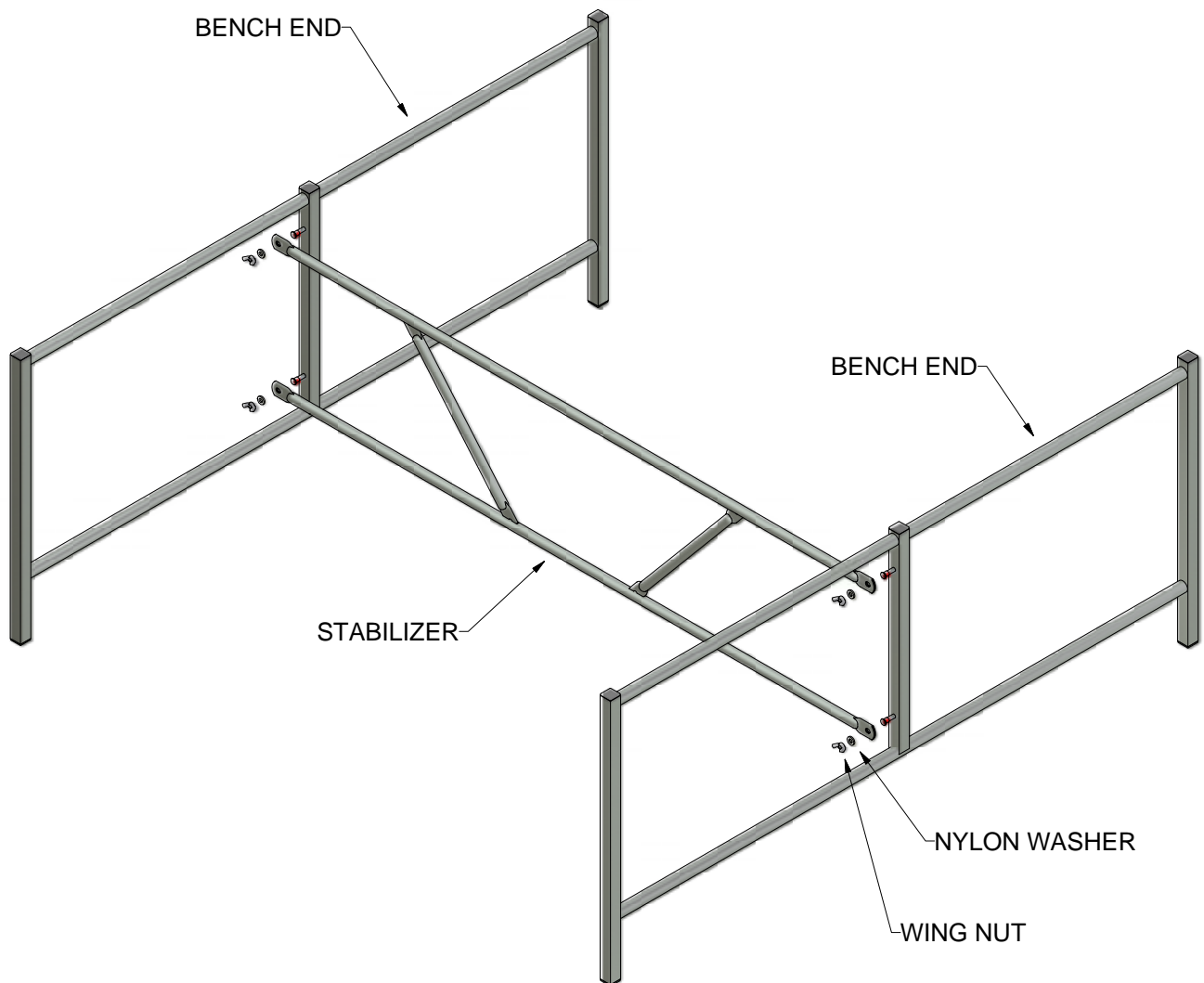
OPTIONAL EXPANDED METAL BENCH TOPS



FK1002
3' x 6' BENCH TOP
W/EXPANDED METAL
(4)

TOOLS & EQUIPMENT REQUIRED

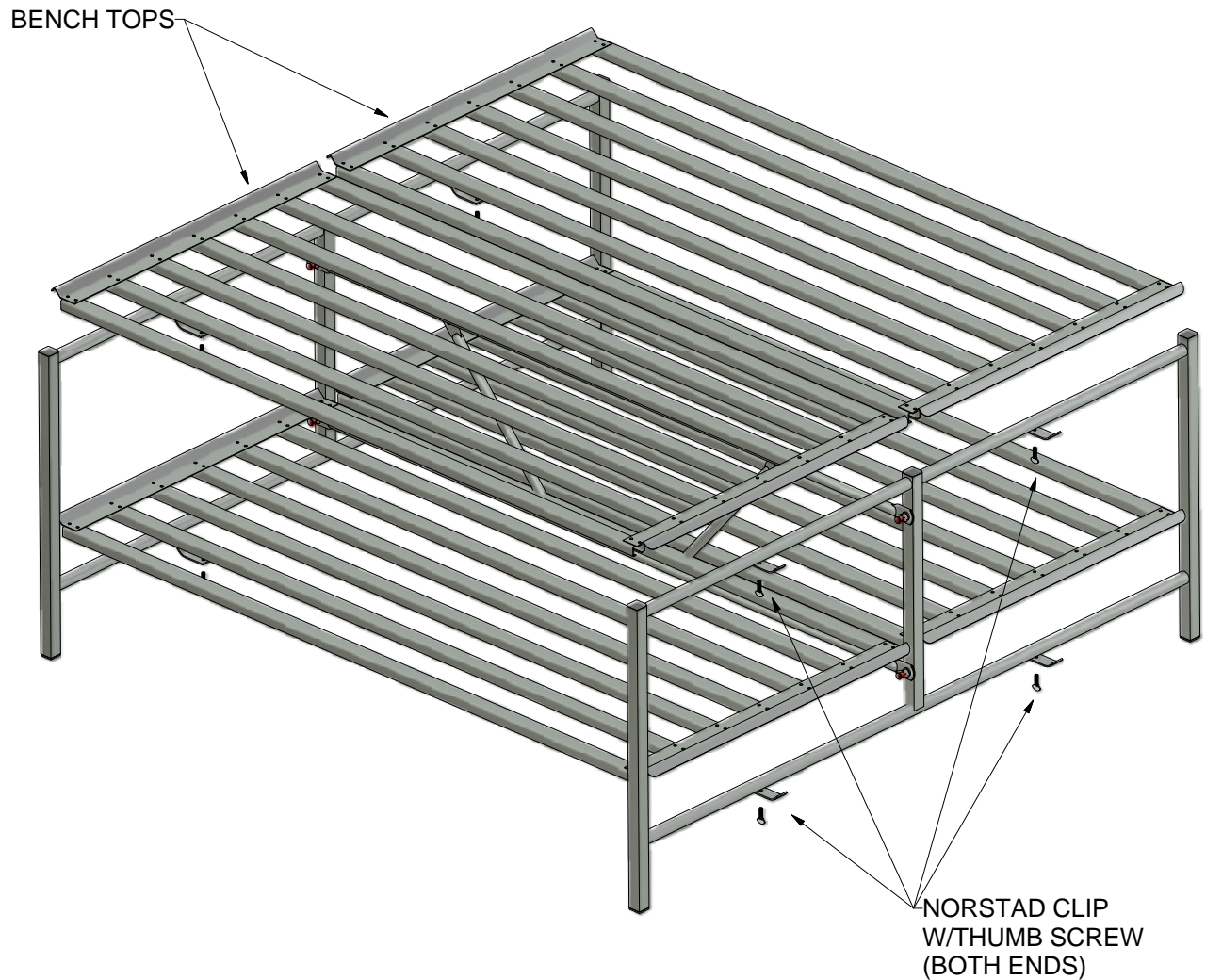
ASSEMBLY INSTRUCTIONS



INSTRUCTIONS:

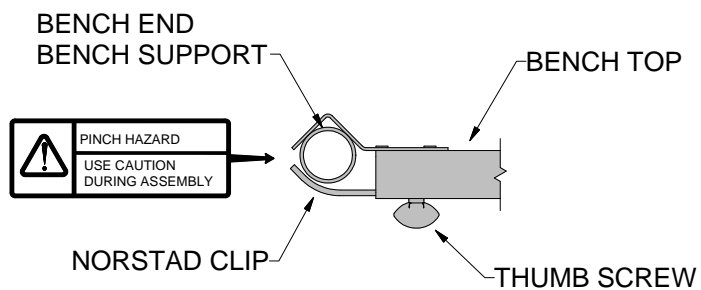
1. ATTACH STABILIZER TO BENCH END STUDS USING NYLON WASHERS AND WING NUTS.

ASSEMBLY INSTRUCTIONS

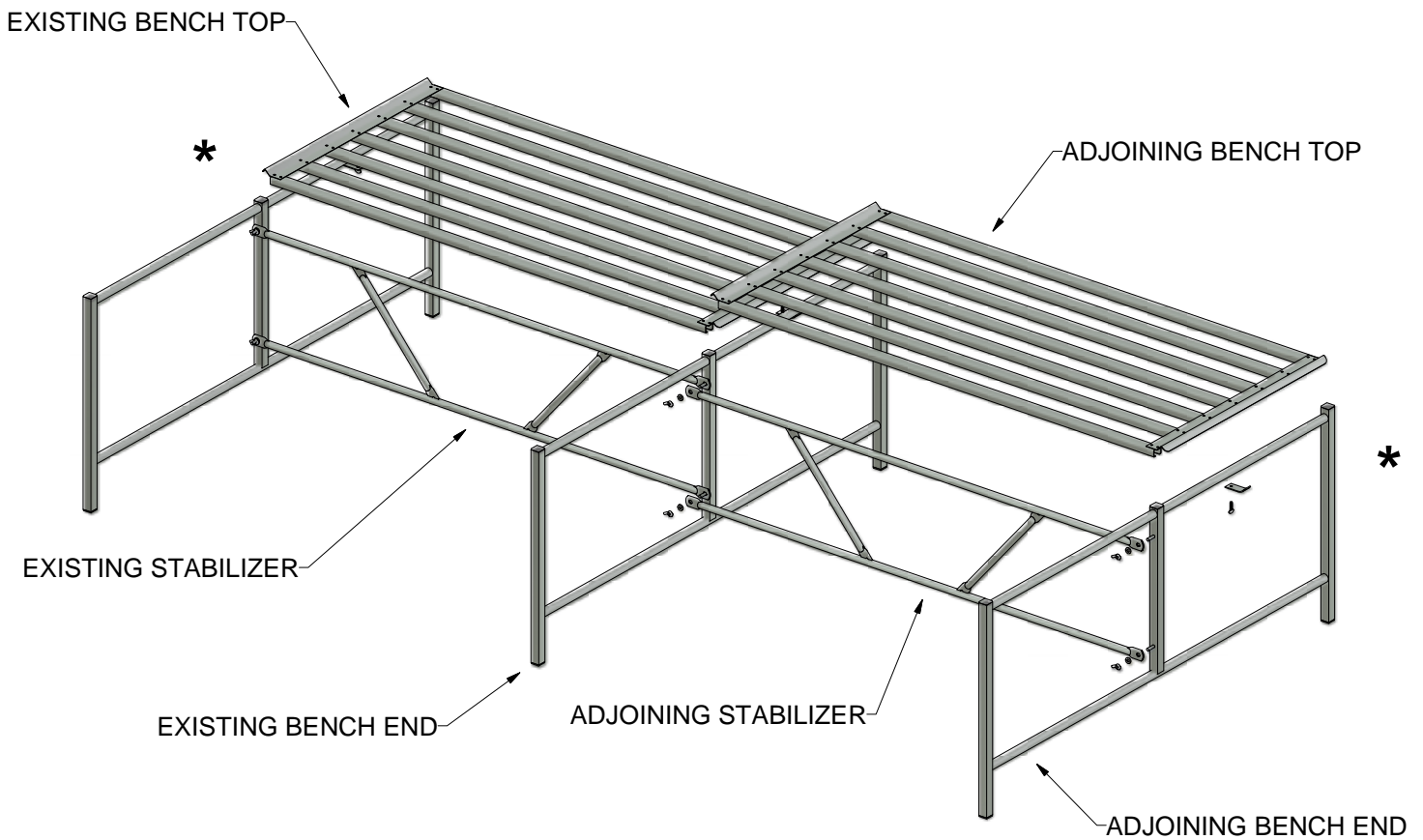


INSTRUCTIONS:

2. PLACE ALL BENCH TOPS ON BENCH ENDS.
3. SECURE BENCH TOPS WITH NORSTAD CLIPS AND THUMB SCREWS PER DETAIL BELOW:

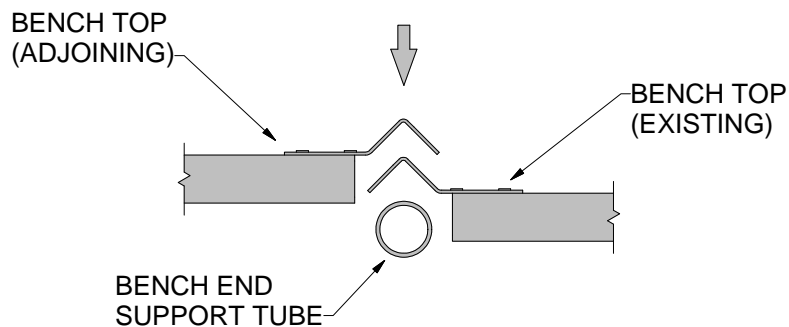


ASSEMBLY INSTRUCTIONS - CONNECTED RUNS



INSTRUCTIONS:

1. ATTACH ADJOINING UNIT'S STABILIZER AND BENCH END TO THE EXISTING UNIT'S BENCH END.
2. SET BENCH TOPS DOWN OVERLAPPING EXISTING BENCH TOPS AS SHOWN BELOW.
3. SECURE NORSTAD CLIPS ONLY ON END UNITS OF MULTIPLE UNITS JOINED TOGETHER (*).



OPTIONAL BASKET TOWER



OPTIONAL BASKET TOWER PARTS IDENTIFICATION



FB2038
49" BASKET POST
(4)



FB2002D
U-BRACE
(2)



GM4000
6'-1 1/2" BASKET
PURLIN
(4)



NB1827
5/16" x 2" LONG
CARRIAGE BOLT
(8)

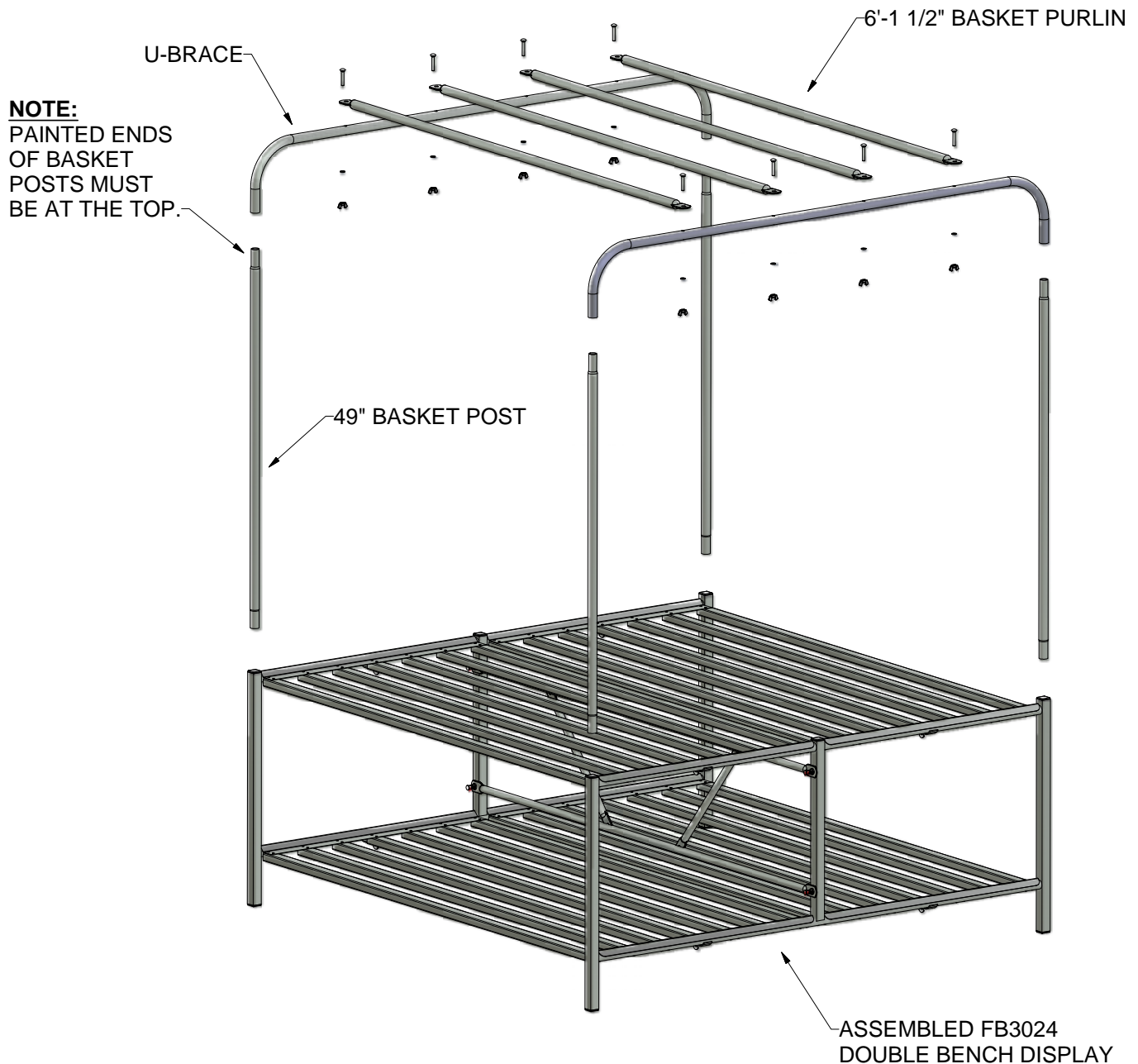


NB1862
5/16" LOCK WASHER
(8)



NB1903
5/16" WING NUT
(8)

OPTIONAL BASKET TOWER ASSEMBLY INSTRUCTIONS



INSTRUCTIONS:

1. INSERT THE UNPAINTED END OF THE 49" BASKET POSTS INTO DOUBLE BENCH END CORNER POSTS.
2. PLACE U-BRACES ON THE PAINTED END OF THE 49" BASKET POSTS.
3. ATTACH 6'-1 1/2" PURLINS TO U-BRACES USING 2" LONG CARRIAGE BOLTS, LOCK WASHERS, AND WING NUTS.

SAFETY GUIDELINES

Do not climb, sit on, or use this product as a ladder. Injuries may occur.

Do not place or install electrical items on this product. Wet conditions are typical and electrical shock may occur.

Do not place this product on a slope that exceeds 3 degrees.

Do not move this display after product is in place. Damage to display and injuries may occur.

Lock casters (when provided) once display is in place to prevent movement.

Remove all debris or obstacles from caster's path before moving.

CARE & MAINTENANCE

To remove loose soil and debris, simply spray the soiled areas with a garden hose.

Prior to storage, all surfaces of this product should be sprayed down with water and allowed to dry completely.

Limited Warranty

Poly-Tex, Inc. warrants its products to be free from defects in material and workmanship for a period of (1) year from date of invoice. This warranty is provided to the original purchaser of the product and is not transferable. Poly-Tex does not warrant parts not manufactured by Poly-Tex, but does assign any transferable manufacturer or supplier warranties. Should any defect be found, full repair or replacement will be rendered to the customer at no cost following inspection by a Poly-Tex representative and the return of the defective product to our Castle Rock, MN factory. Expenses for removal or reinstallation of defective products will not be covered by the warranty.

POLY-TEX SHALL NOT BE HELD RESPONSIBLE FOR ANY SPECIAL OR CONSEQUENTIAL DAMAGES, OR FOR ANY DELAY IN PERFORMANCE OF THIS WARRANTY BEYOND OUR CONTROL. THIS WARRANTY IS EXCLUSIVE AND IN LIEU OF ALL OTHER WARRANTIES WHETHER IMPLIED, WRITTEN OR ORAL INCLUDING THE WARRANTIES OF MERCHANTABILITY AND FITNESS FOR A PARTICULAR PURPOSE.

This warranty does not cover damage from customer abuse, misuse, improper installation, customer modifications, customer negligence in performing normal maintenance, damage resulting from acts of nature.

Contact information
Poly-Tex, Inc. PO Box 458
27725 Danville Ave Castle Rock, MN 55010
Toll free (800) 852-3443 Fax (651) 463-2479
www.poly-tex.com