

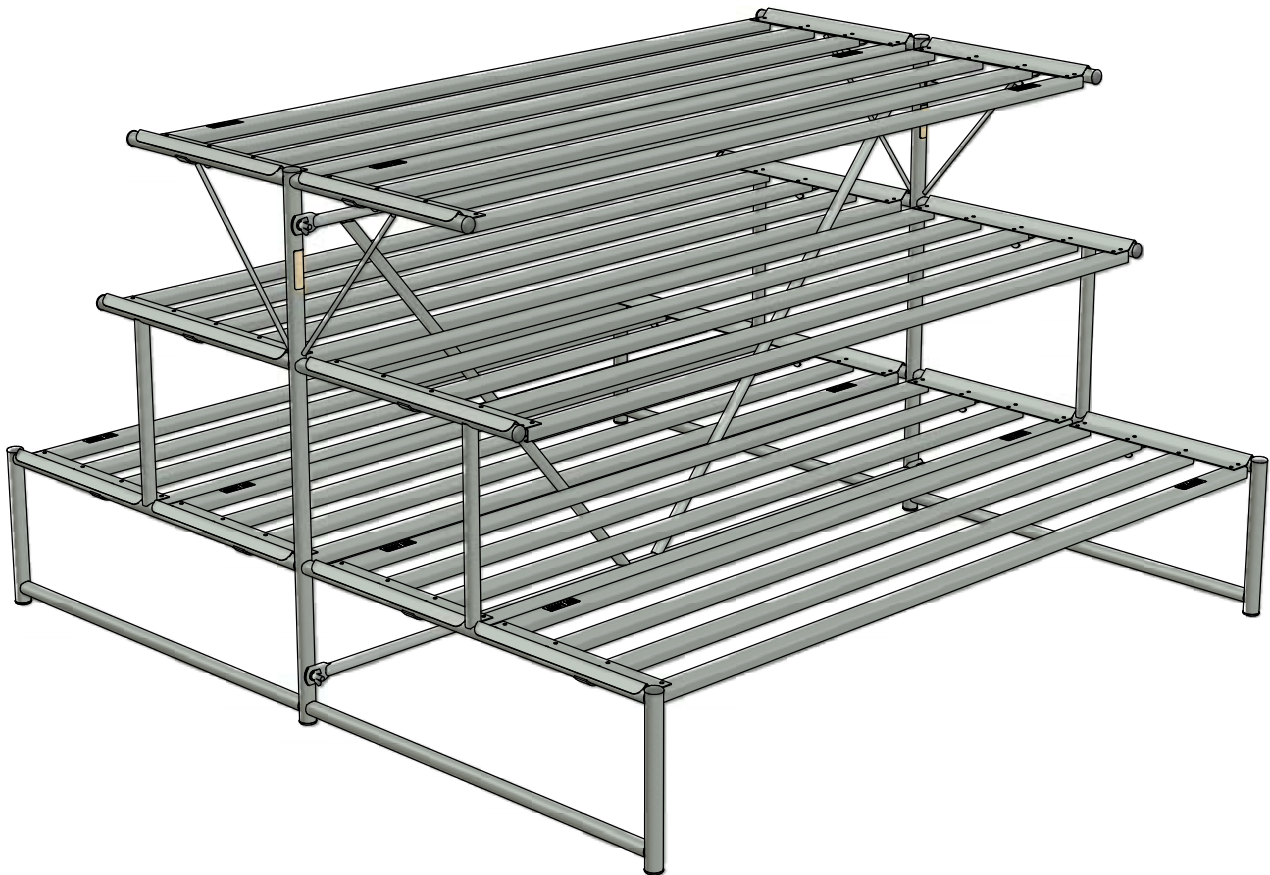
FB3021 double tri-step display

ASSEMBLY INSTRUCTIONS

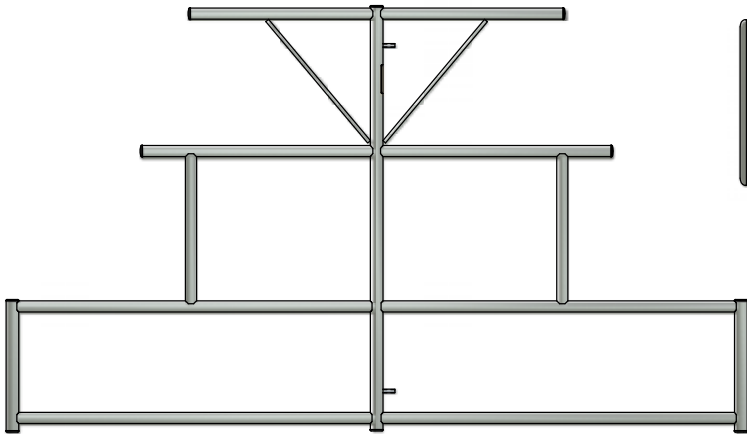


IMPORTANT

Please read these instructions carefully before you start to assemble this display. Save these instructions for future reference.



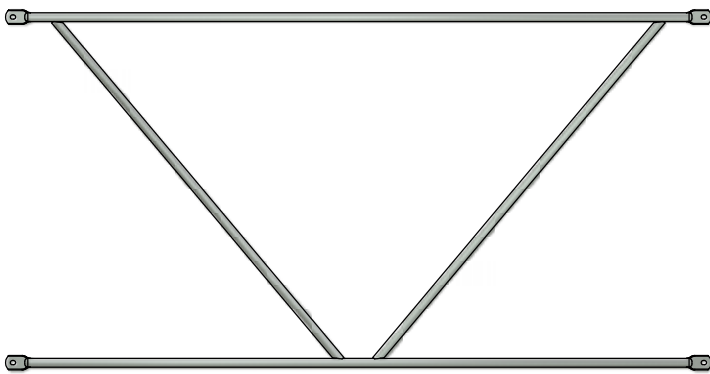
PARTS IDENTIFICATION



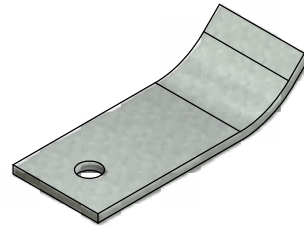
FB3022
BENCH END
(2)



RF2554
1'-6" BENCH TOP
(6)



FB2533
STABILIZER
(1)



FT3600
NORSTAD CLIP
(16)



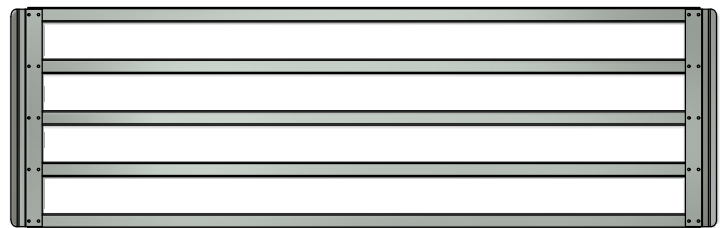
NB1924
5/16" THUMB SCREW
(16)



NB1901
3/8" WING NUT
(4)



NB1923
3/8" NYLON WASHER
(4)

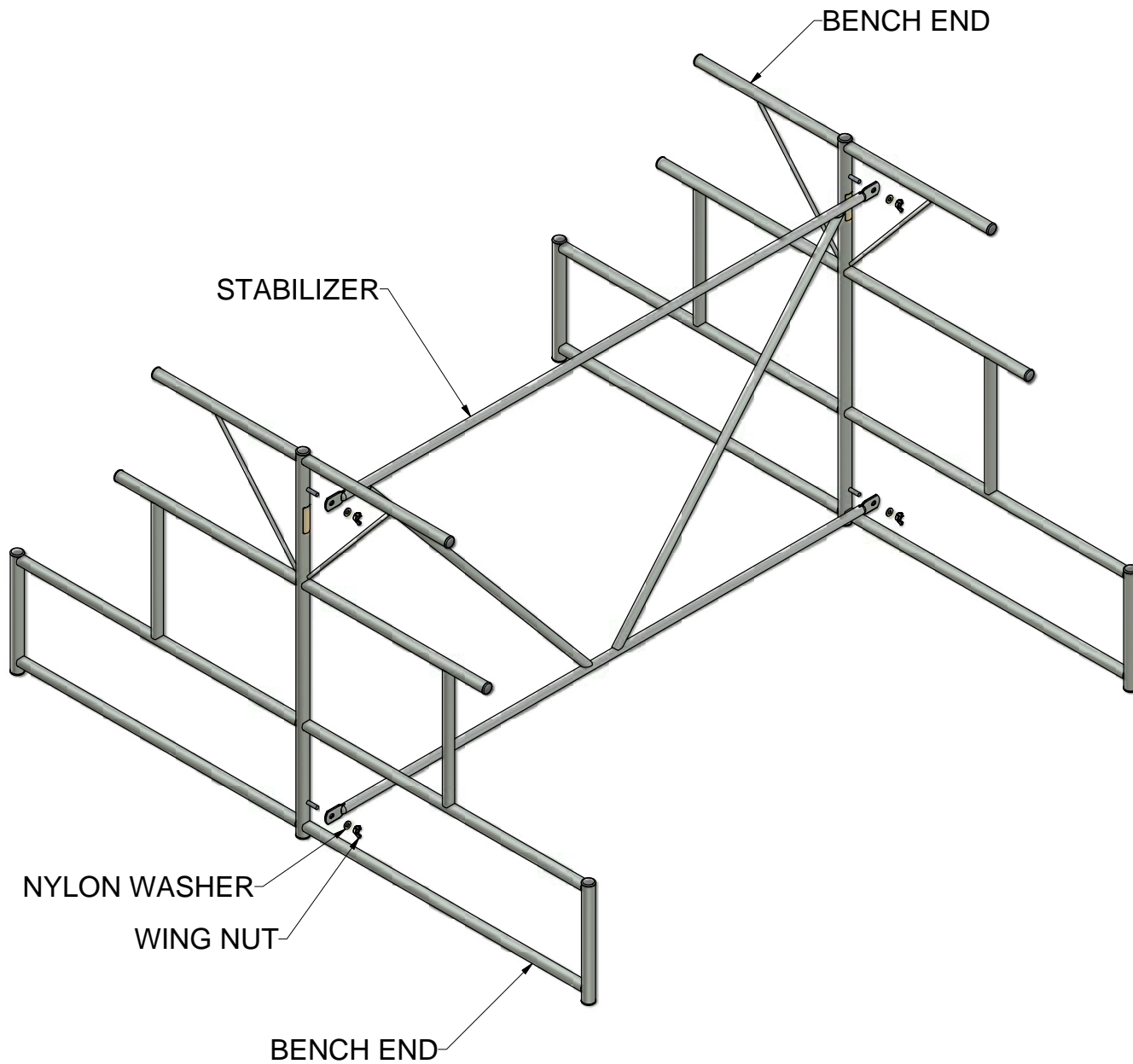


RF2555
23" BENCH TOP
(2)

TOOLS & EQUIPMENT REQUIRED

No tools are required to assemble this product.

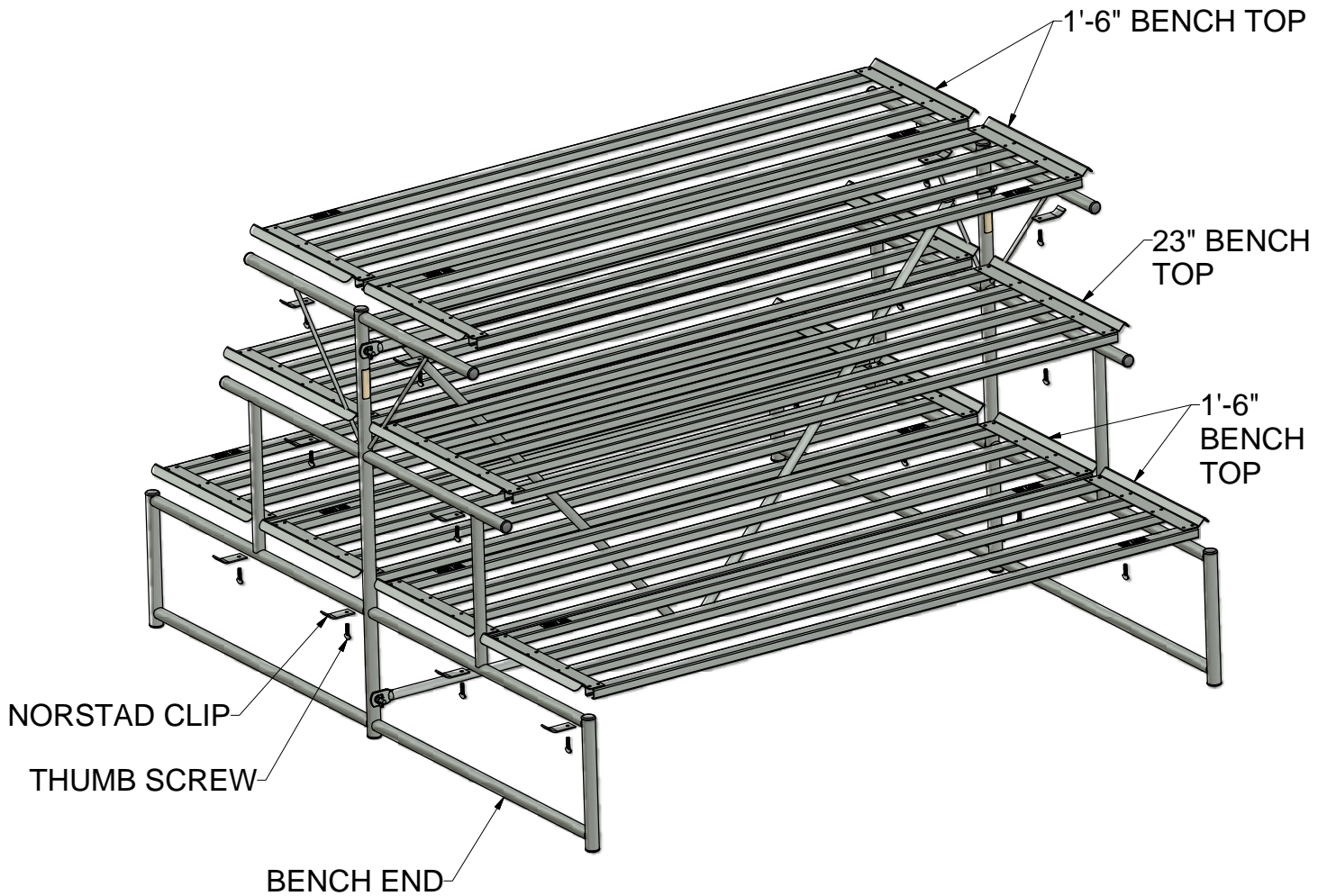
ASSEMBLY INSTRUCTIONS



INSTRUCTIONS:

1. ATTACH STABILIZER TO BENCH ENDS USING NYLON WASHERS AND WING NUTS.

ASSEMBLY INSTRUCTIONS



INSTRUCTIONS:

2. PLACE BENCH TOPS ON THE BENCH END SUPPORT TUBES AS SHOWN ABOVE.
3. FASTEN TO BENCH ENDS USING NORSTAD CLIPS AND THUMB SCREWS. SEE FIGURE 1 BELOW.

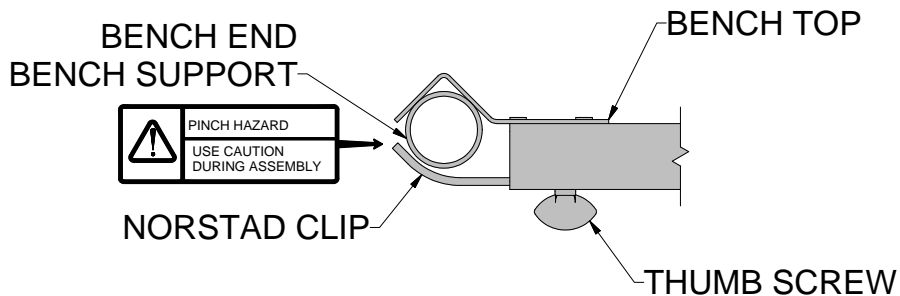
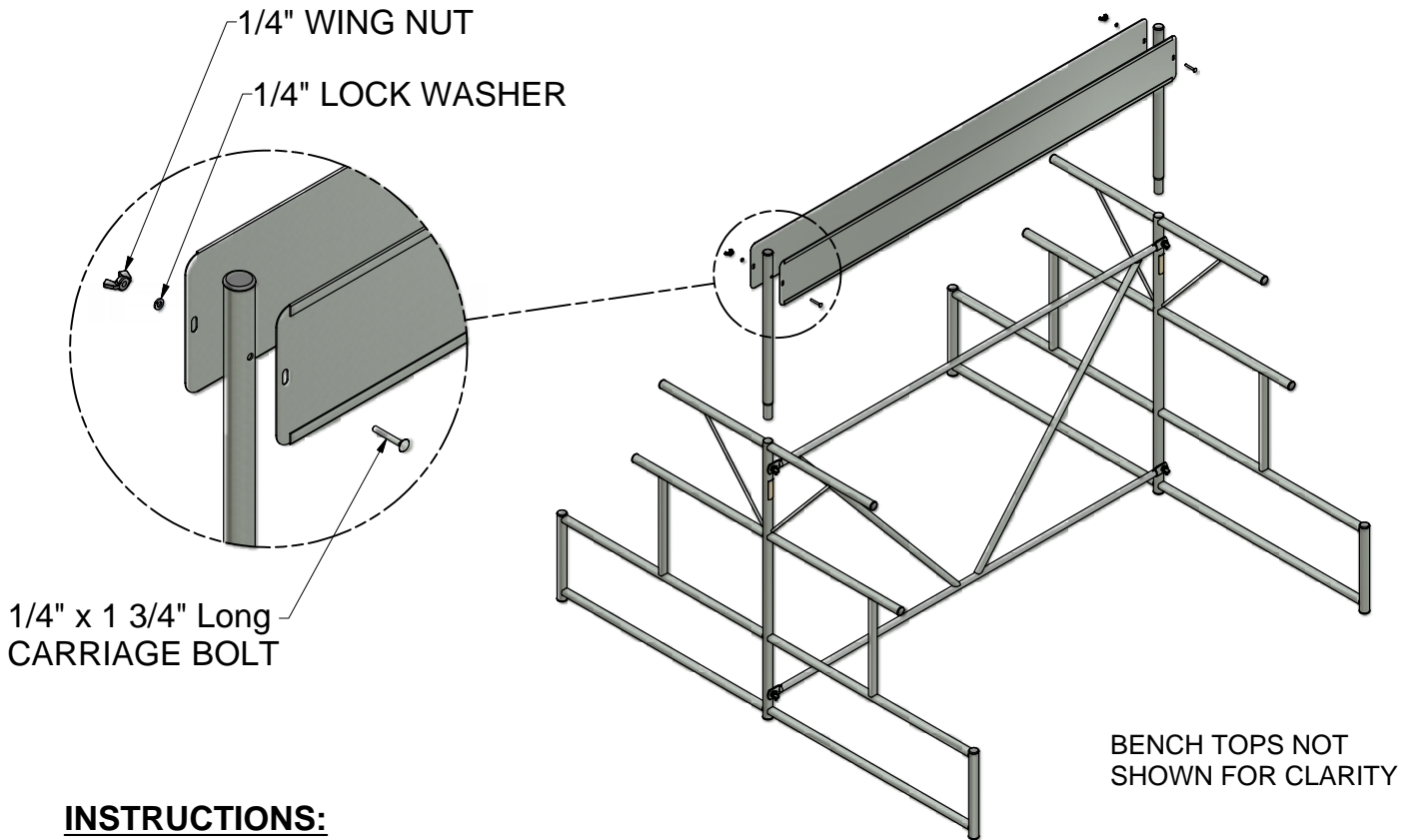


FIGURE 1

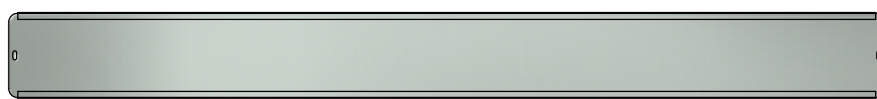
ASSEMBLY INSTRUCTIONS - OPTIONAL SIGN HOLDER



INSTRUCTIONS:

1. REMOVE BLACK PLASTIC CAPS FROM TOPS OF BENCH ENDS.
2. INSERT SIGN HOLDER POSTS INTO TOPS OF BENCH ENDS AS SHOWN.
3. PLACE ONE SIGN HOLDER INTO POSITION WITH HOLES ON POST. INSERT CARRIAGE BOLTS.
4. PLACE OPPOSITE SIGN HOLDER OVER BOLTS ON OPPOSITE SIDE OF POSTS.
5. FASTEN WITH LOCK WASHERS AND WING NUTS.

PARTS IDENTIFICATION



FB3028
SIGN HOLDER
(2)



NB1818
1/4" x 1 3/4" Long
CARRIAGE BOLT
(2)



NB1860
1/4" LOCK WASHER
(2)

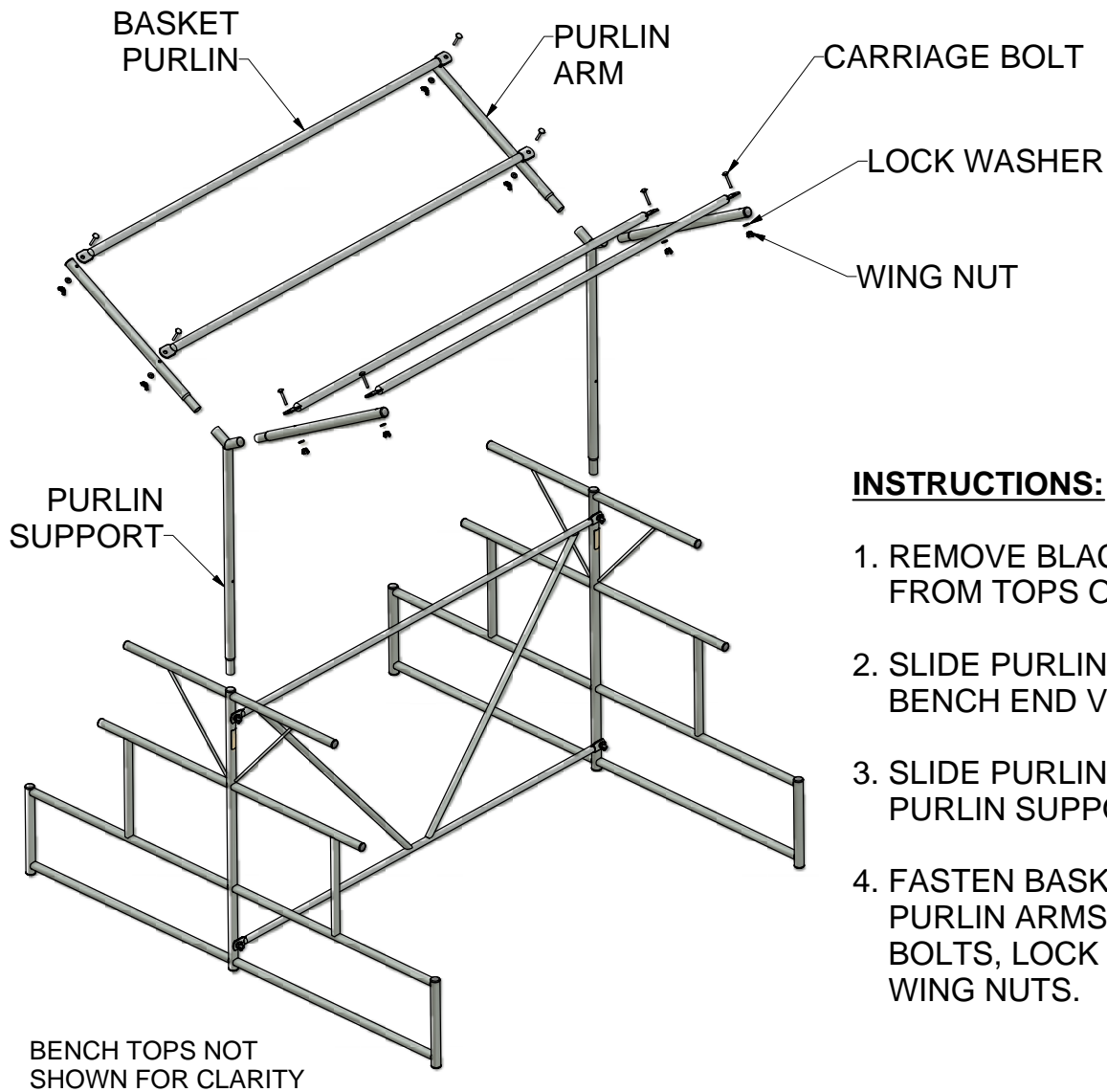


NB1902
1/4" WING NUT
(2)



FB3023
POST
(2)

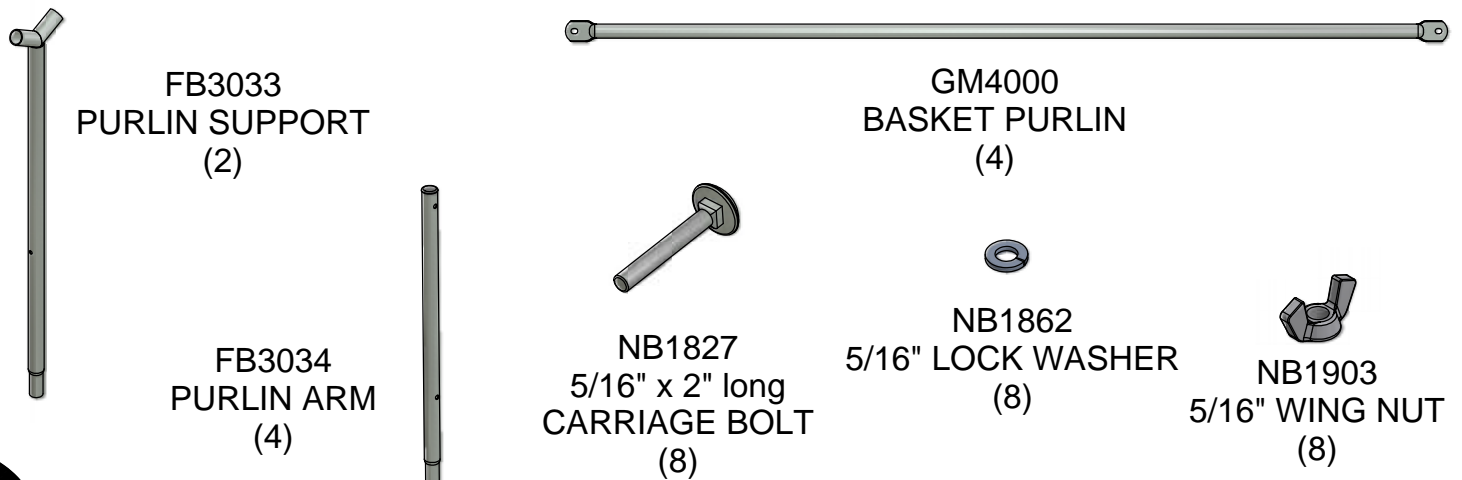
ASSEMBLY INSTRUCTIONS - OPTIONAL BASKET PURLINS



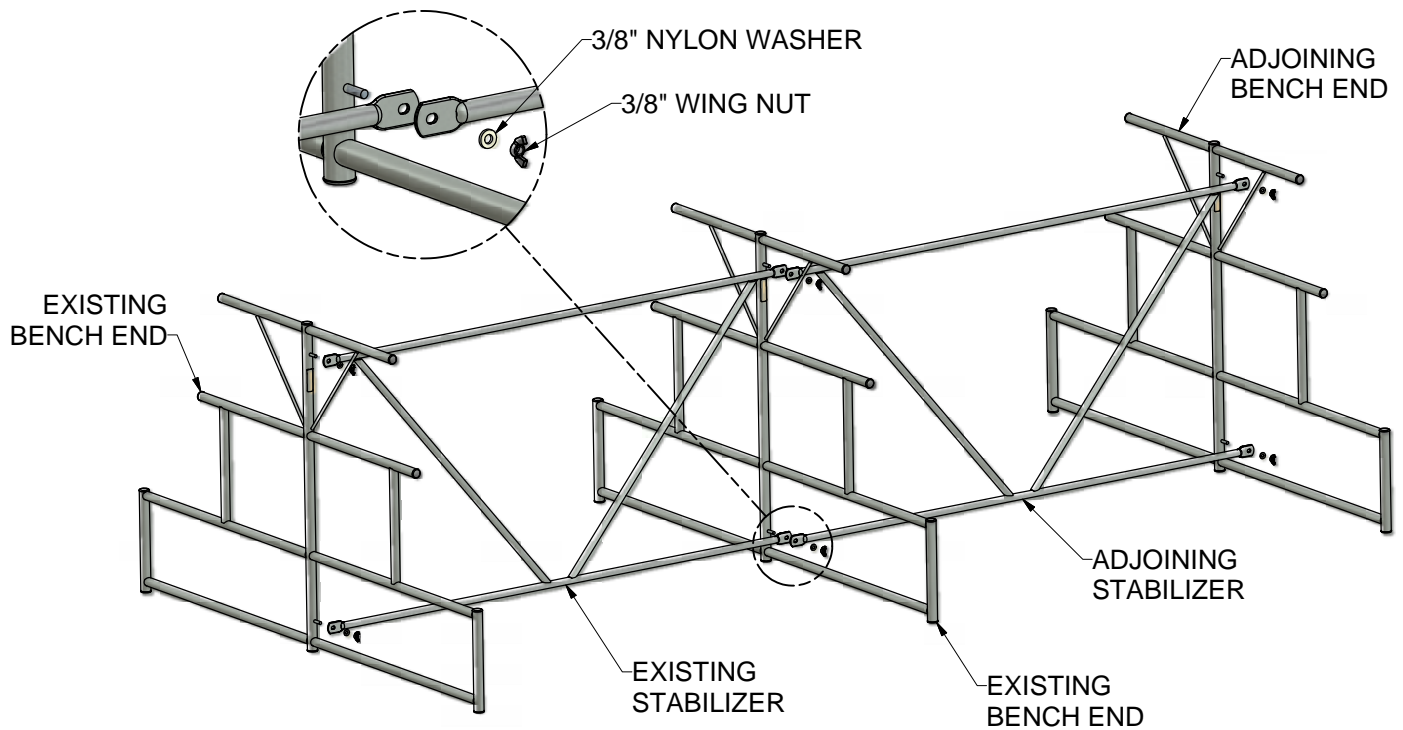
INSTRUCTIONS:

1. REMOVE BLACK PLASTIC CAPS FROM TOPS OF BENCH ENDS.
2. SLIDE PURLIN SUPPORTS INTO BENCH END VERTICAL TUBES.
3. SLIDE PURLIN ARMS INTO PURLIN SUPPORTS.
4. FASTEN BASKET PURLINS TO PURLIN ARMS USING CARRIAGE BOLTS, LOCK WASHERS, AND WING NUTS.

PARTS IDENTIFICATION

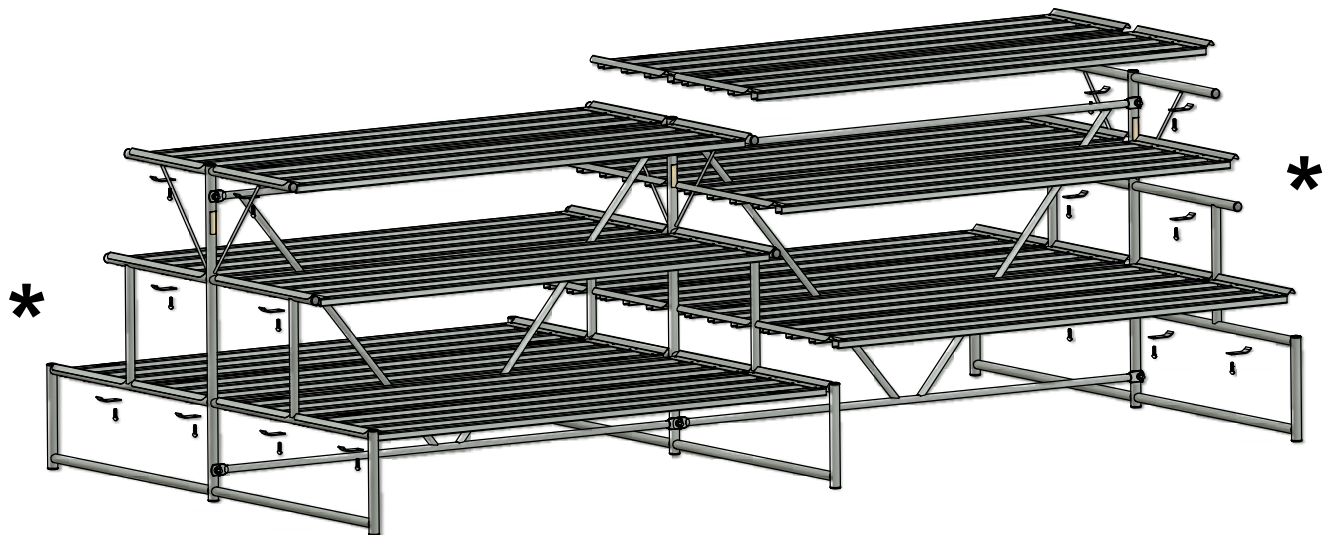


ASSEMBLY INSTRUCTIONS - OPTIONAL CONNECTED RUNS



INSTRUCTIONS:

1. ATTACH ADJOINING STABILIZER AND BENCH END TO THE EXISTING BENCH END.



2. SET BENCH TOPS DOWN OVERLAPPING EXISTING BENCH TOPS AS SHOWN IN FIGURE 1.

3. SECURE NORSTAD CLIPS ONLY ON END UNITS OF MULTIPLE UNITS JOINED TOGETHER (*).

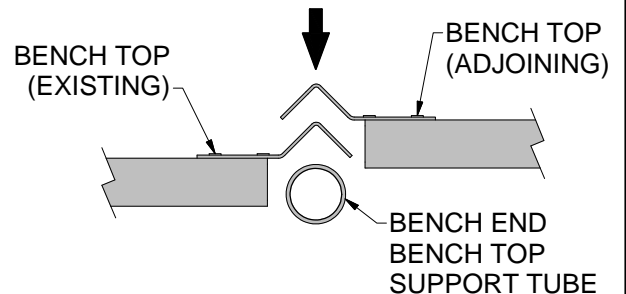


FIGURE 1

SAFETY GUIDELINES

Do not climb, sit on, or use this product as a ladder. Injuries may occur.

Do not place or install electrical items on this product. Wet conditions are typical and electrical shock may occur.

Do not place this product on a slope that exceeds 3 degrees.

Do not move this display after product is in place. Damage to display and injuries may occur.

Lock casters (when provided) once display is in place to prevent movement.

Remove all debris or obstacles from caster's path before moving.

CARE & MAINTENANCE

To remove loose soil and debris, simply spray the soiled areas with a garden hose.

Prior to storage, all surfaces of this product should be sprayed down with water and allowed to dry completely.

Limited Warranty

Poly-Tex, Inc. warrants its products to be free from defects in material and workmanship for a period of (1) year from date of invoice. This warranty is provided to the original purchaser of the product and is not transferable. Poly-Tex does not warrant parts not manufactured by Poly-Tex, but does assign any transferable manufacturer or supplier warranties. Should any defect be found, full repair or replacement will be rendered to the customer at no cost following inspection by a Poly-Tex representative and the return of the defective product to our Castle Rock, MN factory. Expenses for removal or reinstallation of defective products will not be covered by the warranty.

POLY-TEX SHALL NOT BE HELD RESPONSIBLE FOR ANY SPECIAL OR CONSEQUENTIAL DAMAGES, OR FOR ANY DELAY IN PERFORMANCE OF THIS WARRANTY BEYOND OUR CONTROL. THIS WARRANTY IS EXCLUSIVE AND IN LIEU OF ALL OTHER WARRANTIES WHETHER IMPLIED, WRITTEN OR ORAL INCLUDING THE WARRANTIES OF MERCHANTABILITY AND FITNESS FOR A PARTICULAR PURPOSE.

This warranty does not cover damage from customer abuse, misuse, improper installation, customer modifications, customer negligence in performing normal maintenance, damage resulting from acts of nature.

Contact information
Poly-Tex, Inc. PO Box 458
27725 Danville Ave Castle Rock, MN 55010
Toll free (800) 852-3443 Fax (651) 463-2479
www.poly-tex.com