

# FB3020 tri-step display

## ASSEMBLY INSTRUCTIONS

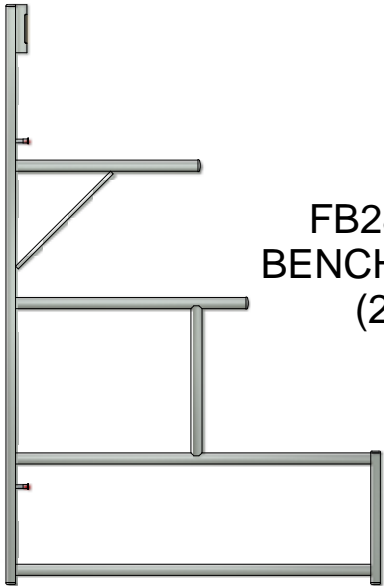


### IMPORTANT

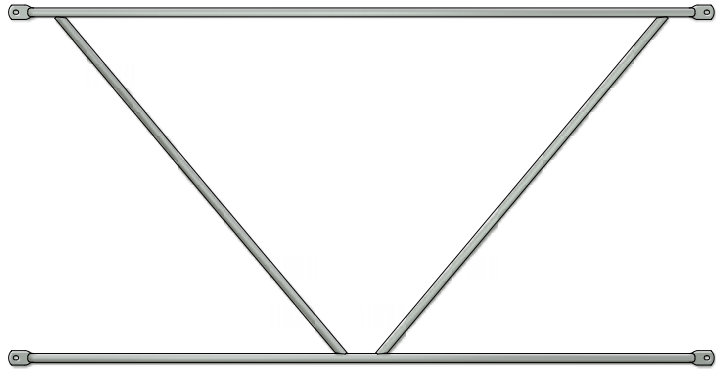
Please read these instructions carefully before you start to assemble this display. Save these instructions for future reference.



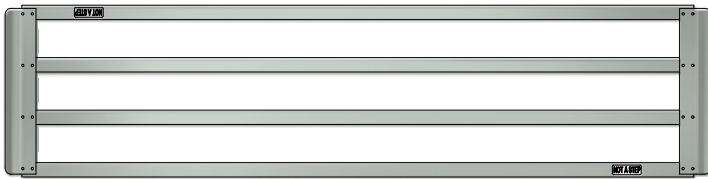
# PARTS IDENTIFICATION



FB2810  
BENCH END  
(2)



FB2533  
STABILIZER  
(1)



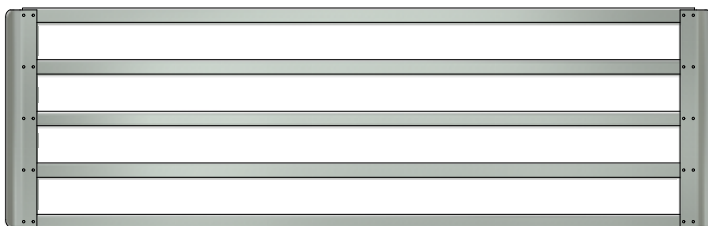
RF2554  
1'-6" x 6' BENCH TOP  
(3)



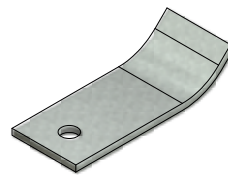
NB1901  
3/8" WING NUT  
(4)



NB1923  
3/8" NYLON WASHER  
(4)



RF2555  
23" x 6' BENCH TOP  
(1)



FT3600  
NORSTAD CLIP  
(8)

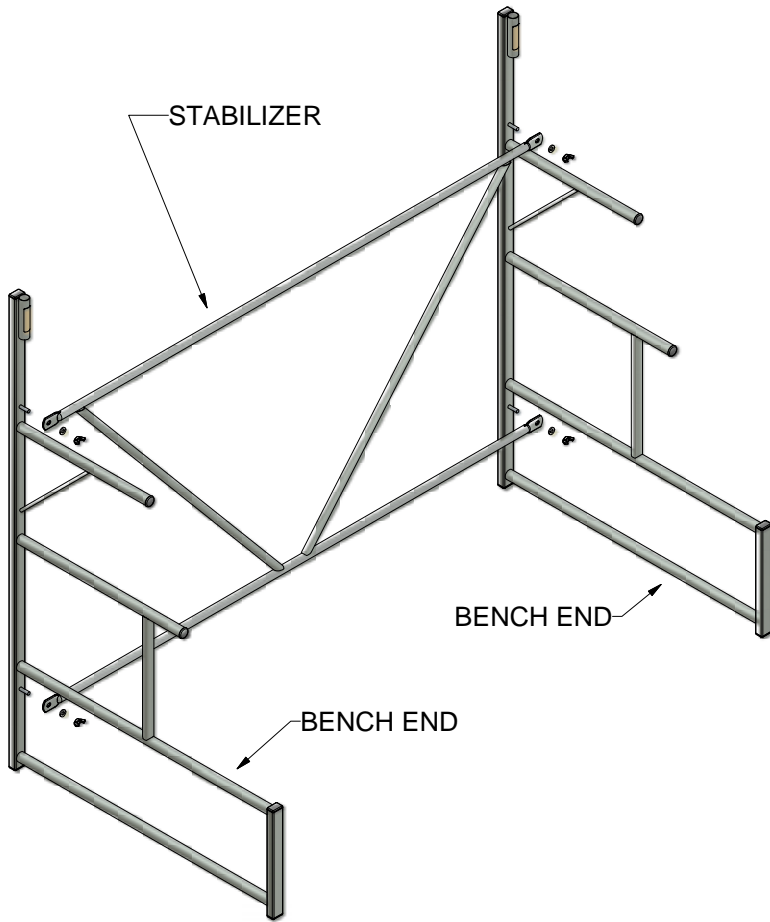


NB1924  
THUMB SCREW  
(8)

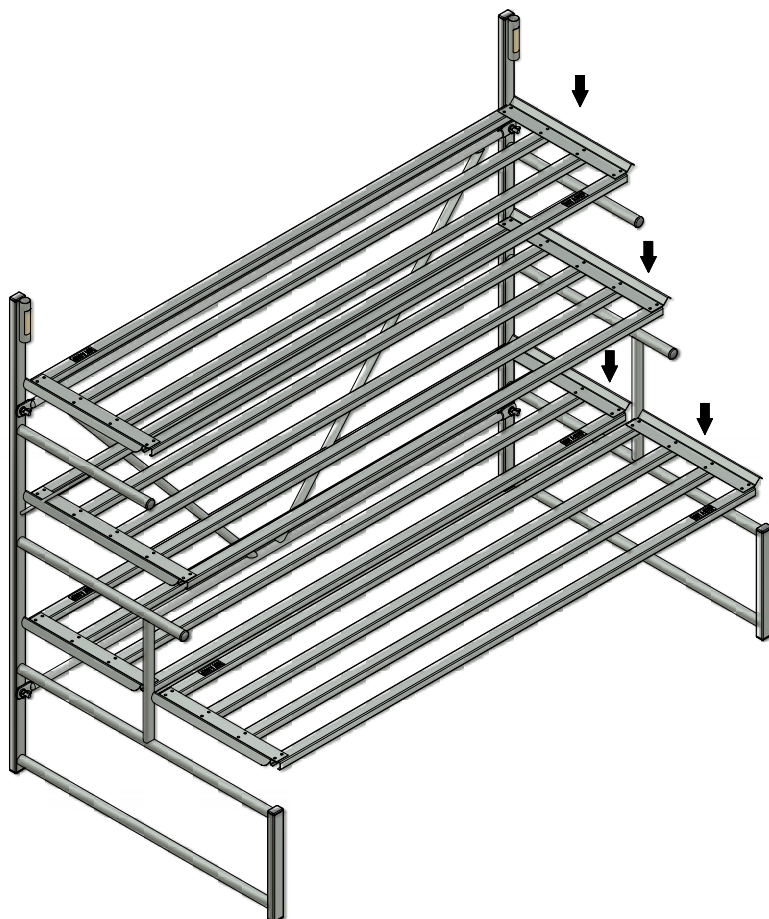
## TOOLS & EQUIPMENT REQUIRED

No tools are required to assemble this product.

# ASSEMBLY INSTRUCTIONS

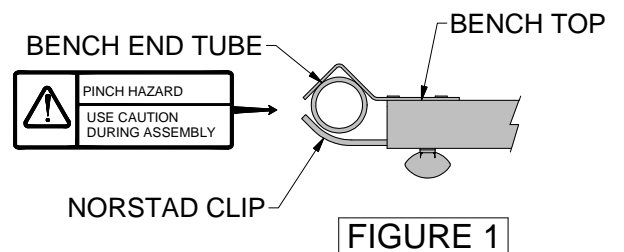


1. ATTACH STABILIZER TO BOTH BENCH ENDS USING NYLON WASHERS AND WING NUTS.

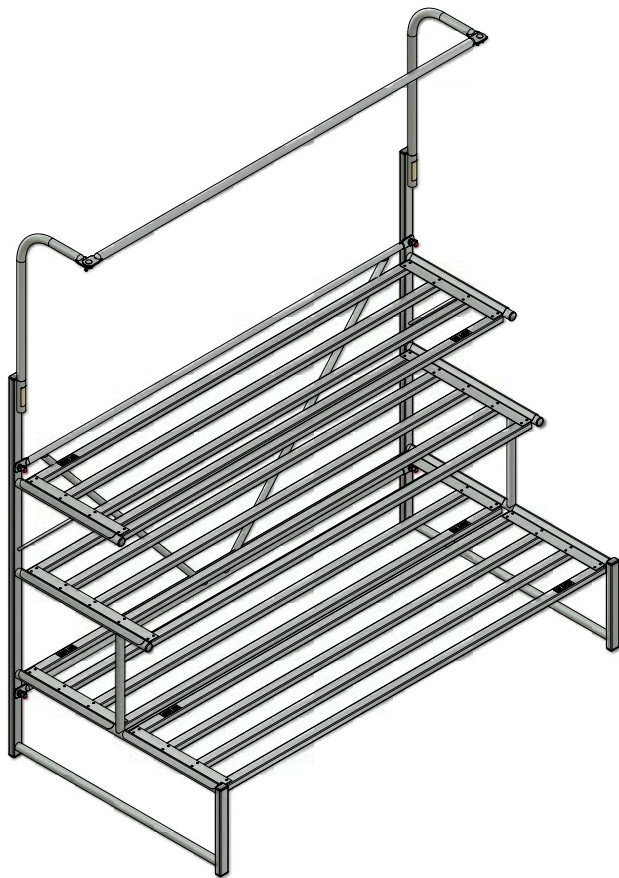


2. SET BENCH TOPS ON ASSEMBLED FRAME.

3. SECURE BENCH TOPS TO BENCH ENDS USING NORSTAD CLIPS AND THUMB SCREWS. SEE FIGURE 1



# BASKET PURLIN OPTION



GM4000  
6'-1 1/2" BASKET PURLIN  
(1)



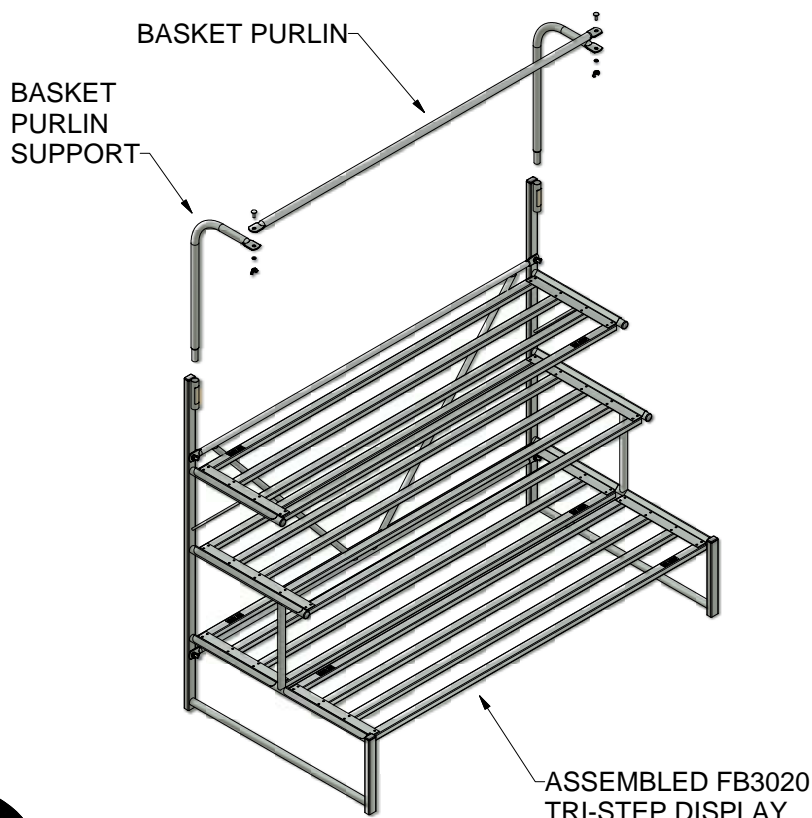
FB2007  
BASKET PURLIN  
SUPPORT  
(2)



NB1830  
5/16" x 2 1/4"  
CARRIAGE BOLT  
(6)

NB1901 - 6  
NB1923 - 6

# BASKET PURLIN OPTION ASSEMBLY



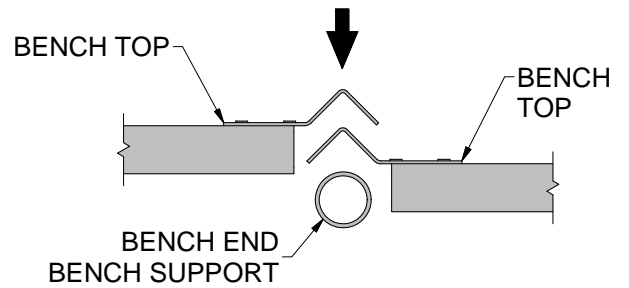
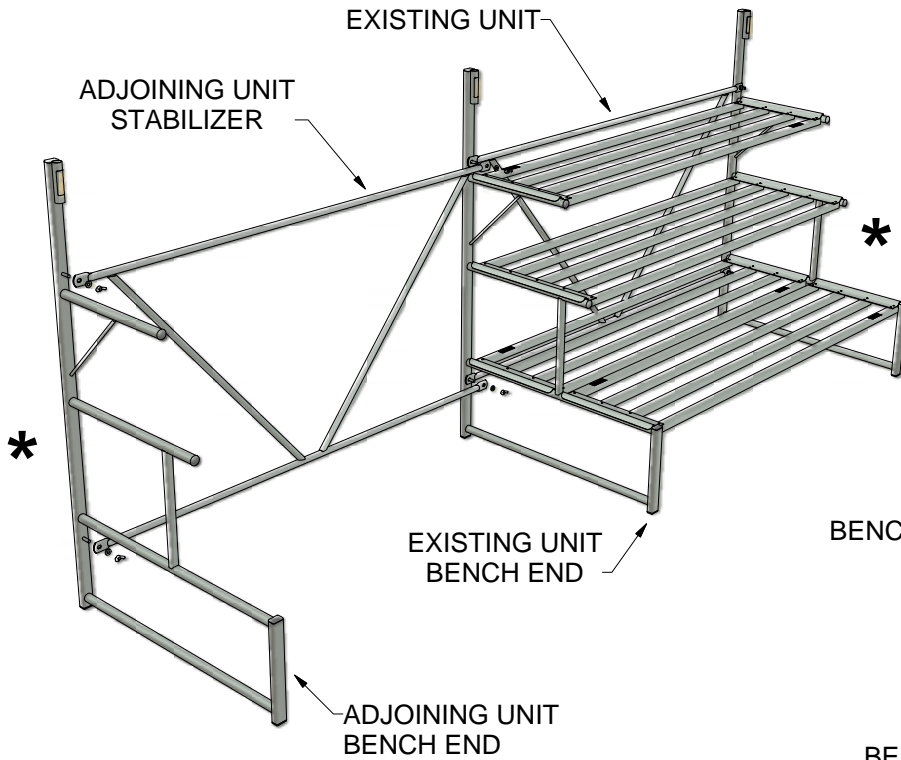
## INSTRUCTIONS:

1. INSERT BASKET PURLIN SUPPORTS INTO BENCH ENDS.
2. ATTACH BASKET PURLIN TO BASKET PURLIN SUPPORTS USING 5/16" x 1" LONG CARRIAGE BOLTS, LOCK WASHERS, AND WING NUTS.

# ASSEMBLY - CONNECTED UNITS

## INSTRUCTIONS:

1. ATTACH ADJOINING UNIT'S STABILIZER AND BENCH END TO THE EXISTING UNIT'S BENCH END.
2. SET BENCH TOPS OVERLAPPING EXISTING BENCH TOPS AS SHOWN BELOW.
3. SECURE CLIPS ONLY ON END UNITS OF MULTIPLE UNITS JOINED TOGETHER (\*).

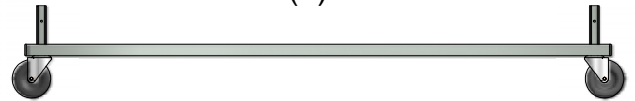


# CASTER OPTION

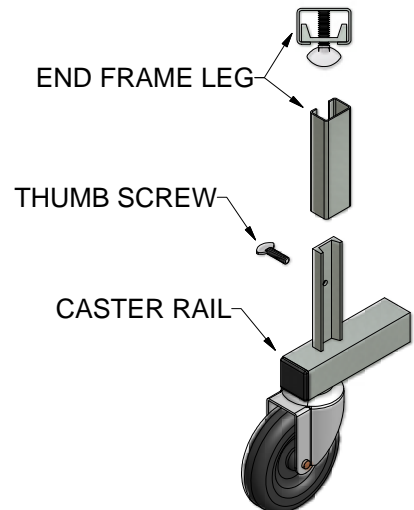
## INSTRUCTIONS:

1. SLIDE CASTER RAILS INTO BOTTOM OF END FRAMES.
2. TIGHTEN THUMB SCREWS SECURELY TO LOCK INTO PLACE.

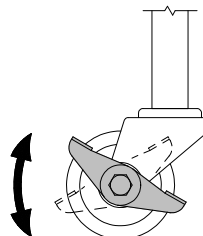
FB2004  
CASTER ASSEMBLY  
(2)



NB1924  
THUMB SCREW  
(4)



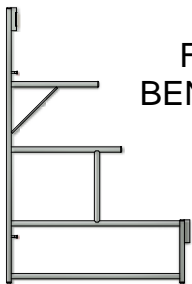
ONCE DISPLAY IS IN PLACE, ALL CASTERS MUST BE LOCKED TO PREVENT MOVEMENT. THE BRAKE IS ACTIVATED BY ROTATING THE LEVER FROM THE "OFF" POSITION TO THE "ON" POSITION.



# BASKET TOWER OPTION



## OPTIONAL BASKET TOWER PARTS IDENTIFICATION



FB2811  
BENCH END  
(2)



FB2002  
U-BRACE  
(2)



FB1999  
65 1/2" BASKET POST  
(2)



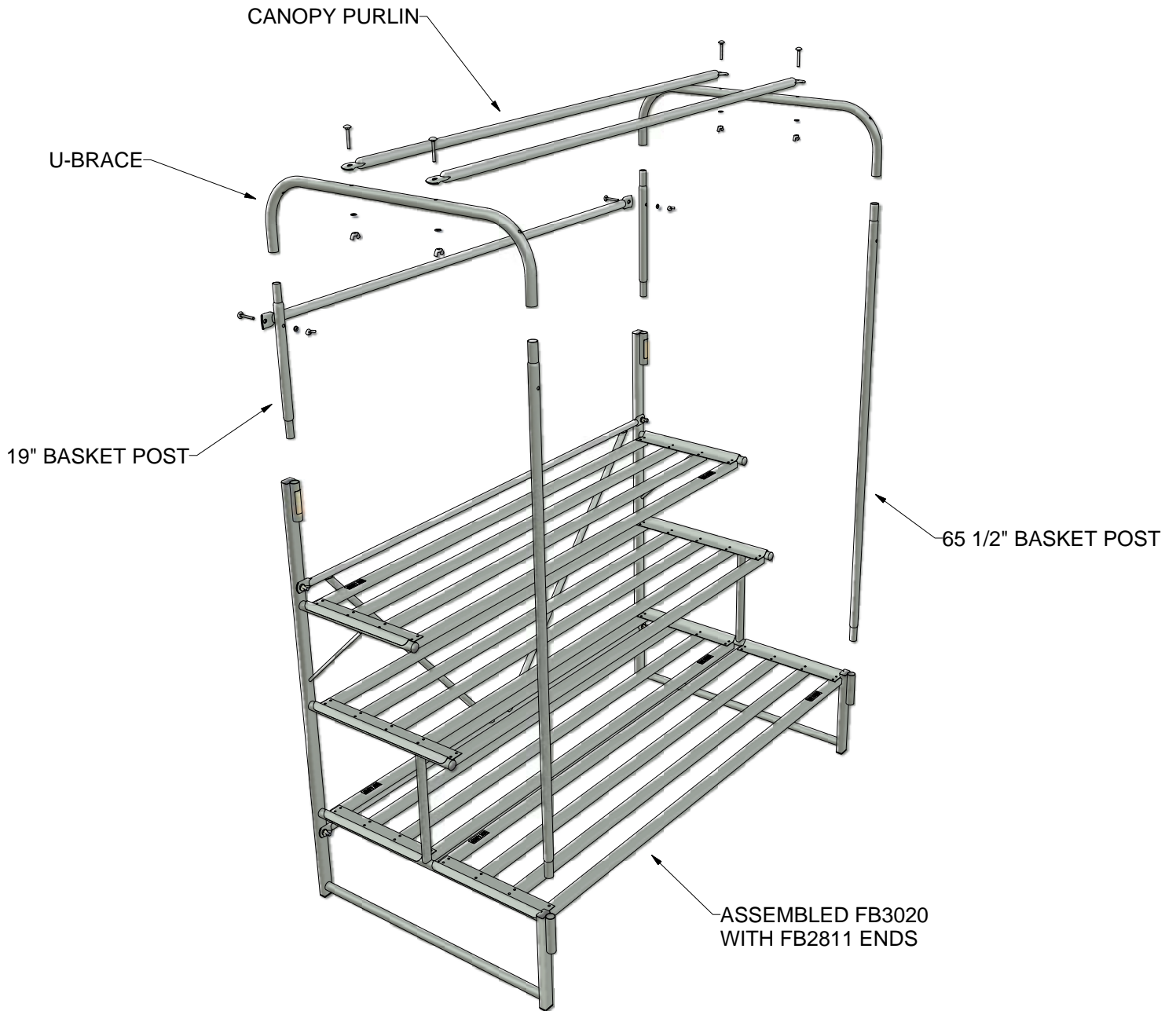
FB2531  
CANOPY PURLIN  
(3)

NB1830 - 6  
NB1901 - 6  
NB1923 - 6



FB2003C  
19" BASKET POST  
(2)

# OPTIONAL BASKET TOWER ASSEMBLY



## INSTRUCTIONS:

1. INSERT 19\" BASKET POSTS INTO REAR POCKETS OF BENCH ENDS.
2. INSERT 65 1/2\" BASKET POSTS INTO FRONT POCKETS OF BENCH ENDS.
3. SLIDE U-BRACES ONTO BASKET POSTS.
4. ATTACH CANOPY PURLINS TO U-BRACES AND BASKET POSTS USING 5/16\" x 2\" LONG CARRIAGE BOLTS, LOCK WASHERS, AND WING NUTS.

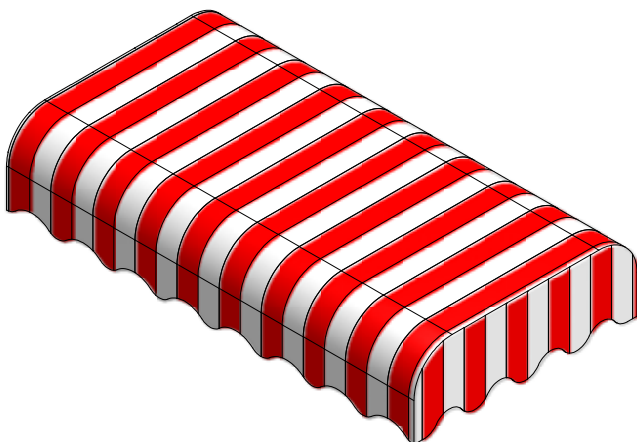
# CANOPY OPTION



## OPTIONAL CANOPY PARTS IDENTIFICATION



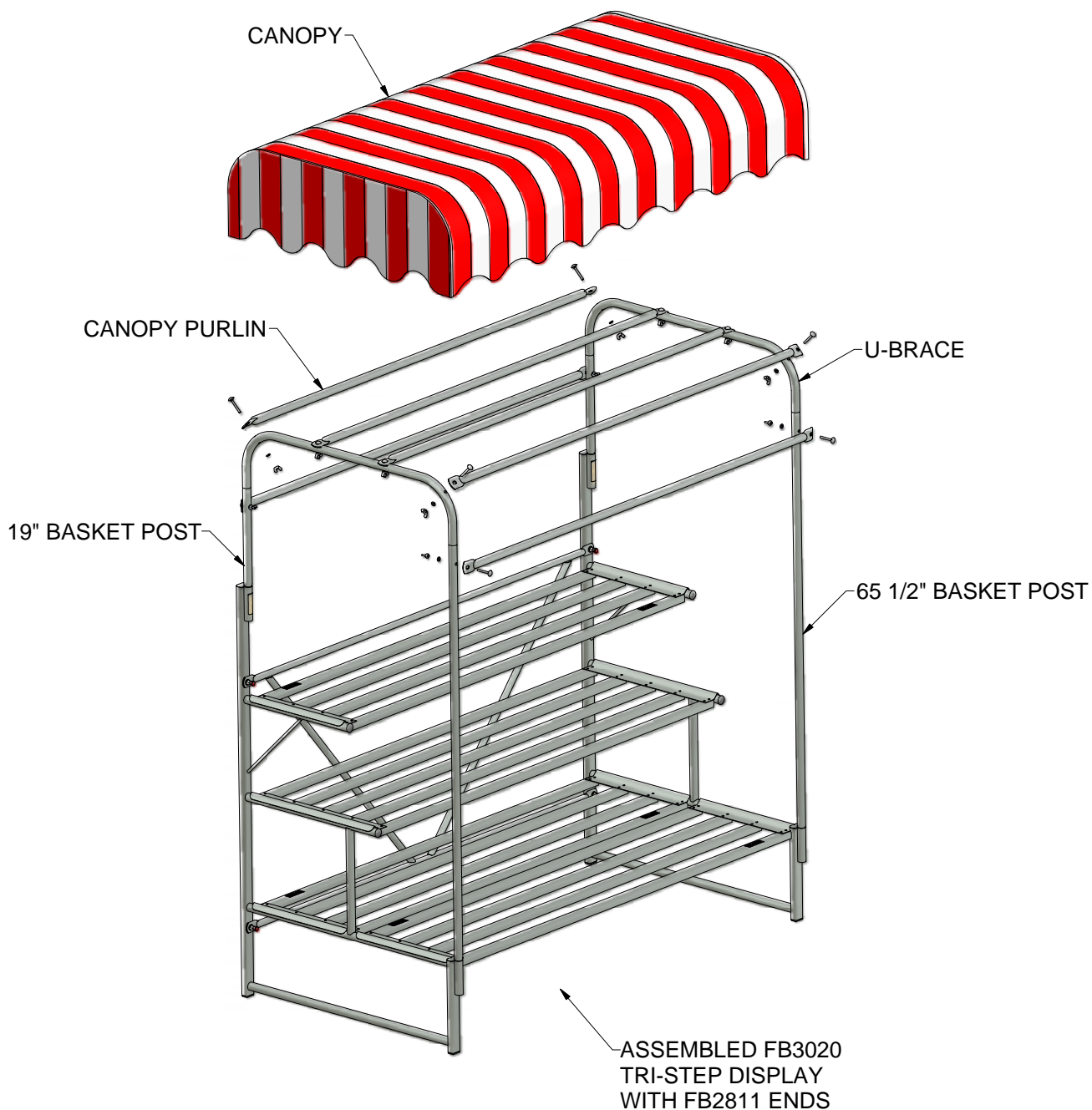
FB2531  
6'-1 1/2" CANOPY PURLIN  
(3)



CANOPY  
(1)

NB1830 - 6  
NB1901 - 6  
NB1923 - 6

# OPTIONAL CANOPY ASSEMBLY INSTRUCTIONS



## INSTRUCTIONS:

1. ASSEMBLE TOWER FIRST (PAGE 7).
2. ATTACH CANOPY PURLINS TO U-BRACES AND BASKET POSTS USING 5/16" x 2" LONG CARRIAGE BOLTS, LOCK WASHERS, AND WING NUTS.
3. PLACE CANOPY OVER TOWER AND SECURE WITH VELCRO STRAPS.

# OPTIONAL A-TOWER



## OPTIONAL A-TOWER PARTS IDENTIFICATION



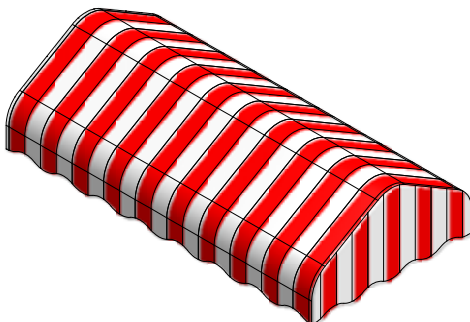
FB2812  
BENCH END (1.66)  
(2)



FB2530  
CANOPY BRACE  
(2)



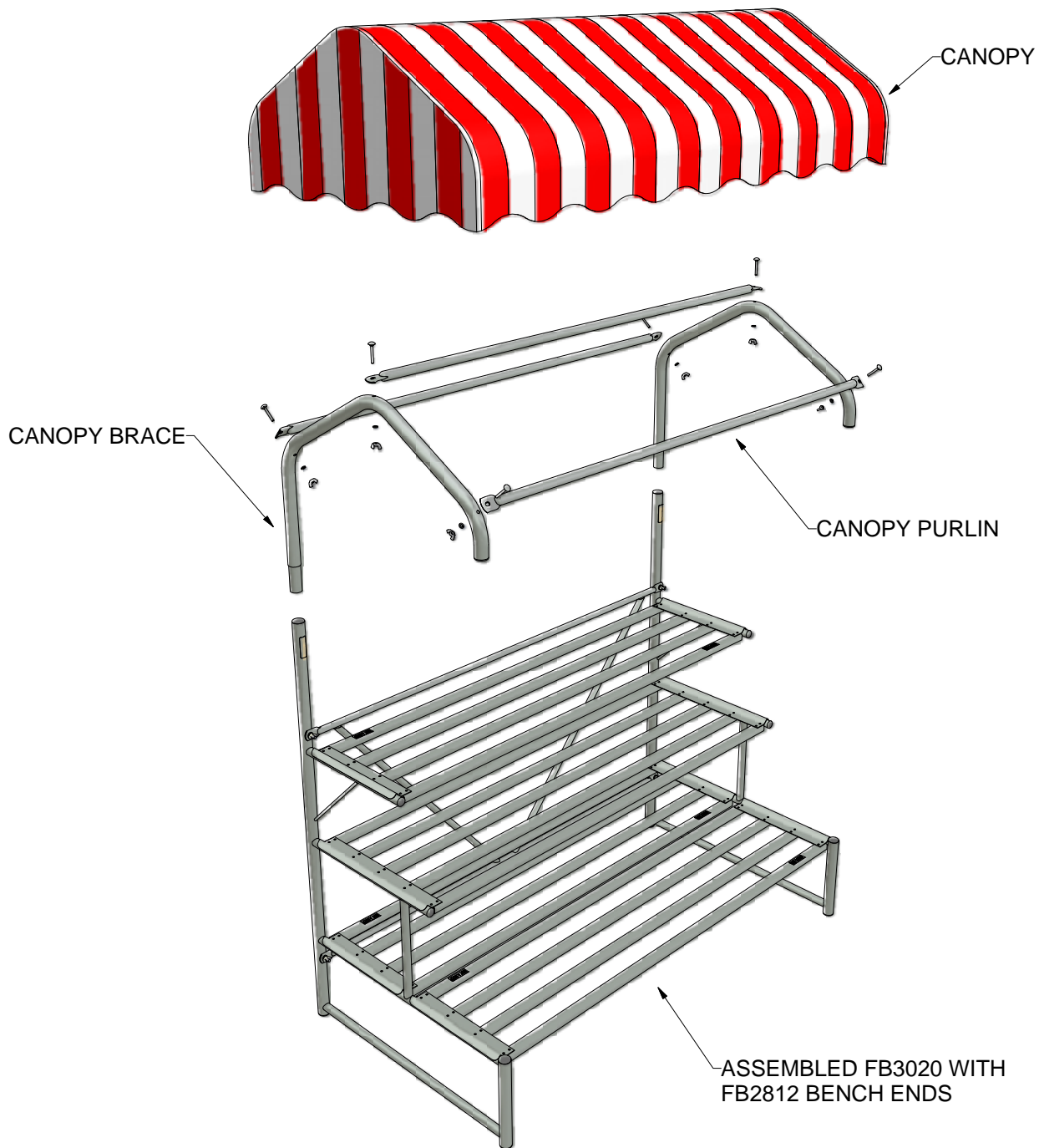
FB2531  
6'-1 1/2" CANOPY PURLIN  
(3)



CANOPY "A"  
(1)

- NB1830 - 6
- NB1901 - 6
- NB1923 - 6

# OPTIONAL A-TOWER & CANOPY ASSEMBLY



## INSTRUCTIONS:

1. PLACE CANOPY BRACES INTO BENCH ENDS.
2. ATTACH CANOPY PURLINS TO CANOPY BRACES WITH 5/16" x 2 1/4" LONG CARRIAGE BOLTS, LOCK WASHERS, AND WING NUTS.
3. PLACE CANOPY "A" OVER TOWER AND SECURE WITH VELCRO STRAPS.

## SAFETY GUIDELINES

**Do not** climb, sit on, or use this product as a ladder. Injuries may occur.

**Do not** place or install electrical items on this product. Wet conditions are typical and electrical shock may occur.

**Do not** place this product on a slope that exceeds 3 degrees.

**Do not** move this display after product is in place. Damage to display and injuries may occur.

**Lock casters** (when provided) once display is in place to prevent movement.

**Remove all** debris or obstacles from caster's path before moving.

## CARE & MAINTENANCE

To remove loose soil and debris, simply spray the soiled areas with a garden hose.

Prior to storage, all surfaces of this product should be sprayed down with water and allowed to dry completely.

### Limited Warranty

Poly-Tex, Inc. warrants its products to be free from defects in material and workmanship for a period of (1) year from date of invoice. This warranty is provided to the original purchaser of the product and is not transferable. Poly-Tex does not warrant parts not manufactured by Poly-Tex, but does assign any transferable manufacturer or supplier warranties. Should any defect be found, full repair or replacement will be rendered to the customer at no cost following inspection by a Poly-Tex representative and the return of the defective product to our Castle Rock, MN factory. Expenses for removal or reinstallation of defective products will not be covered by the warranty.

**POLY-TEX SHALL NOT BE HELD RESPONSIBLE FOR ANY SPECIAL OR CONSEQUENTIAL DAMAGES, OR FOR ANY DELAY IN PERFORMANCE OF THIS WARRANTY BEYOND OUR CONTROL. THIS WARRANTY IS EXCLUSIVE AND IN LIEU OF ALL OTHER WARRANTIES WHETHER IMPLIED, WRITTEN OR ORAL INCLUDING THE WARRANTIES OF MERCHANTABILITY AND FITNESS FOR A PARTICULAR PURPOSE.**

This warranty does not cover damage from customer abuse, misuse, improper installation, customer modifications, customer negligence in performing normal maintenance, damage resulting from acts of nature.

Contact information  
Poly-Tex, Inc. PO Box 458  
27725 Danville Ave Castle Rock, MN 55010  
Toll free (800) 852-3443 Fax (651) 463-2479  
[www.poly-tex.com](http://www.poly-tex.com)