

CD3000 3-level circle display

ASSEMBLY INSTRUCTIONS


IMPORTANT

Please read these instructions carefully before beginning to assemble this display. Save instructions for future reference.



P.O. Box 458
27725 Danville Avenue
Castle Rock, MN 55010
www.poly-tex.com

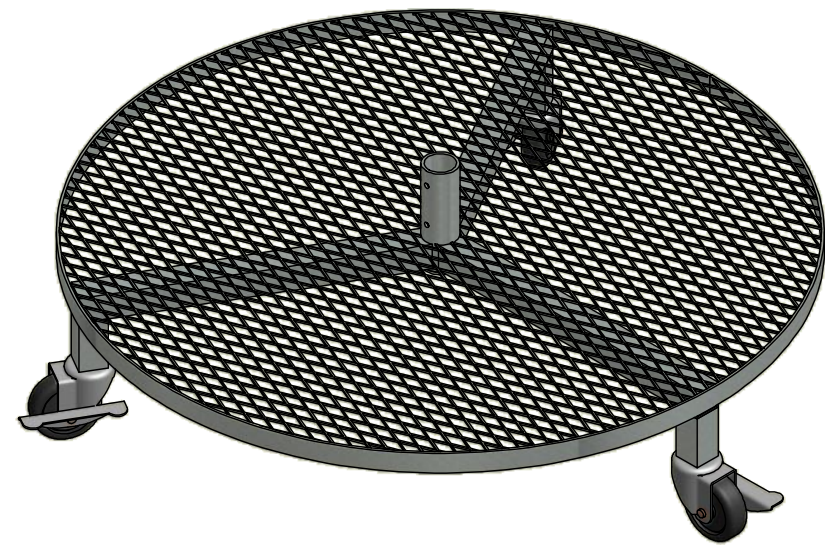
U.S. & Canada Toll Free
800-852-3443
(651) 463-7009
fax (651) 463-2479


POLY-TEX
Greenhouse & Display Systems

PARTS IDENTIFICATION



CD4005
20" SHELF



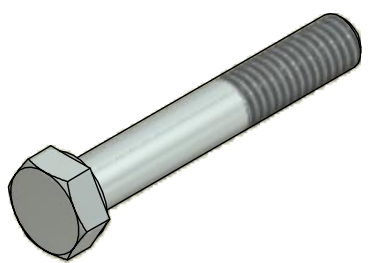
CD4001
BASE



CD4003
28" SHELF



CD4002
POST



NB1848
5/16" x 2" HEX BOLT
(2)



NB1978
5/16" SET SCREW
(4)



NB1979
5/32" HEX WRENCH

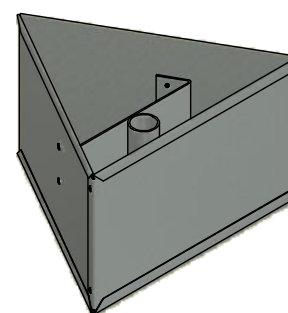


NB1903
5/16" WING NUT
(2)

OPTIONAL COMPONENTS



CD4006
SIGN POST 22 1/2"

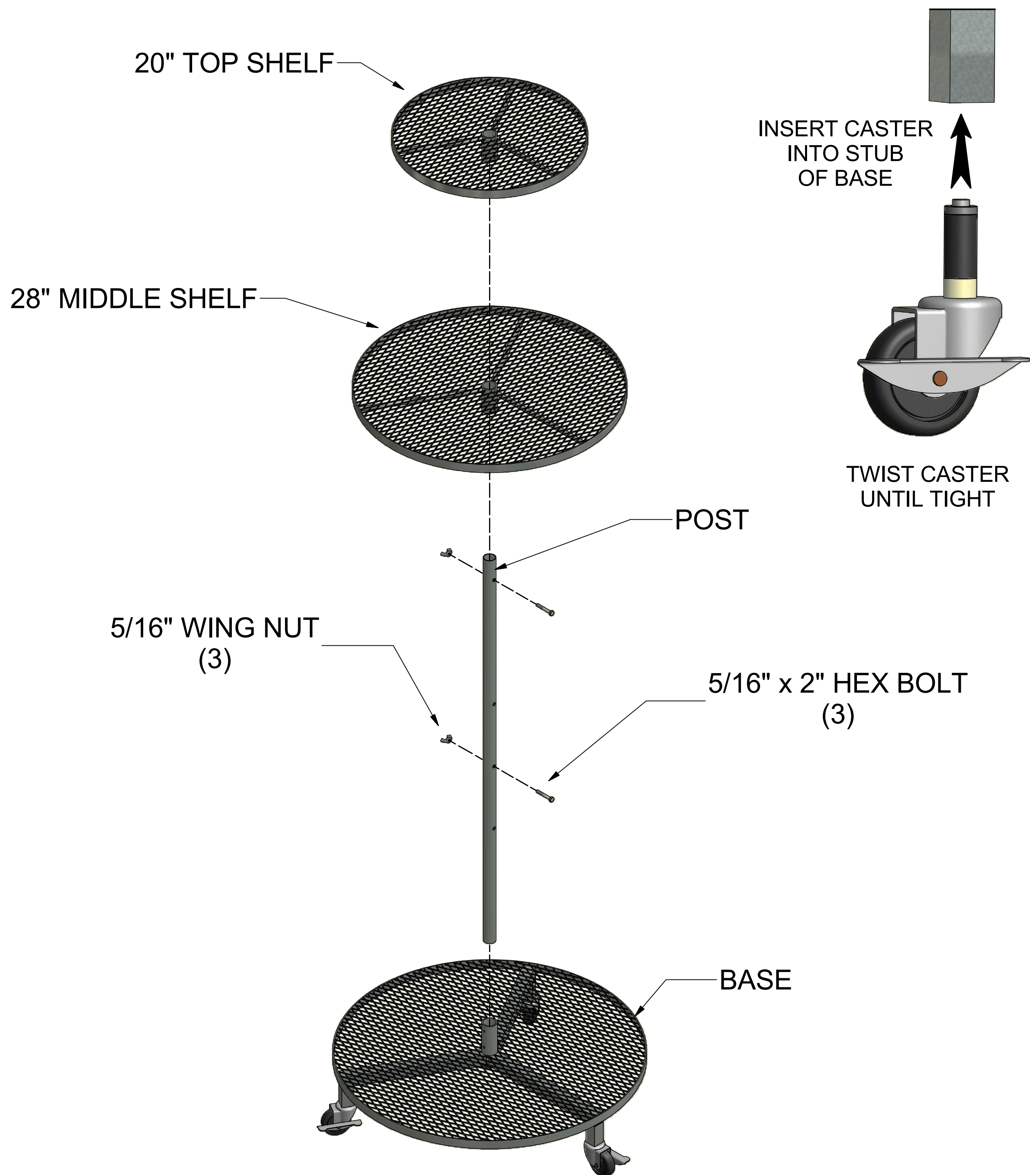


CD4007
SIGN HOLDER, 3 SIDE

TOOLS & EQUIPMENT REQUIRED

No additional tools are required.

ASSEMBLY INSTRUCTIONS



1. INSERT END OF POST INTO THE BASE. SLIDE SHELVES ONTO POST AND FASTEN WITH A 5/16" X 2" BOLT & WING NUT.

ASSEMBLY INSTRUCTIONS



! WARNING

Tip over hazard.

Do not move display
with product in place.



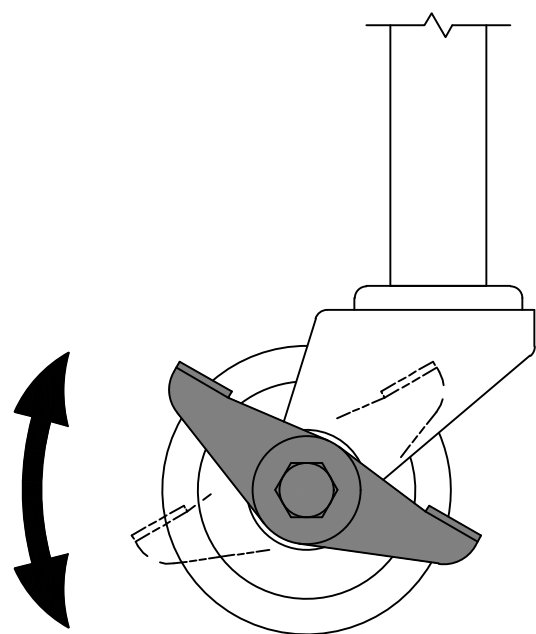
2. USE 5 SET SCREWS TO HOLD POST AND SHELVES FIRMLY IN PLACE.

OPTIONAL SIGN HOLDER ASSEMBLY



1. SLIDE RECESSED END OF SIGN POST INTO TOP OF POST. SLIDE SIGN HOLDER ONTO TOP OF SIGN POST.

CASTER USE INSTRUCTIONS



ONCE THE DISPLAY IS IN PLACE, ALL CASTERS MUST BE LOCKED INTO PLACE USING THE CASTER BRAKES TO PREVENT DISPLAY MOVEMENT. THE BRAKE IS ACTIVATED BY ROTATING THE LEVER FROM THE "OFF" POSITION TO THE "ON" POSITION AS SHOWN.

SAFETY GUIDELINES

Do not climb, sit on, or use this product as a ladder. Injuries may occur.

Do not place or install electrical items on this product. Wet conditions are typical and electrical shock may occur.

Do not place this product on a slope that exceeds 3 degrees.

Do not move this display after product is in place. Damage to display and injuries may occur.

Lock casters (when provided) once display is in place to prevent movement.

Remove all debris or obstacles from caster's path before moving.

CARE & MAINTENANCE

To remove loose soil and debris, simply spray the soiled areas with a garden hose.

Prior to storage, all surfaces of this product should be sprayed down with water and allowed to dry completely.

Limited Warranty

Poly-Tex, Inc. warrants its products to be free from defects in material and workmanship for a period of (1) year from date of invoice. This warranty is provided to the original purchaser of the product and is not transferable. Poly-Tex does not warrant parts not manufactured by Poly-Tex, but does assign any transferable manufacturer or supplier warranties. Should any defect be found, full repair or replacement will be rendered to the customer at no cost following inspection by a Poly-Tex representative and the return of the defective product to our Castle Rock, MN factory. Expenses for removal or reinstallation of defective products will not be covered by the warranty.

POLY-TEX SHALL NOT BE HELD RESPONSIBLE FOR ANY SPECIAL OR CONSEQUENTIAL DAMAGES, OR FOR ANY DELAY IN PERFORMANCE OF THIS WARRANTY BEYOND OUR CONTROL. THIS WARRANTY IS EXCLUSIVE AND IN LIEU OF ALL OTHER WARRANTIES WHETHER IMPLIED, WRITTEN OR ORAL INCLUDING THE WARRANTIES OF MERCHANTABILITY AND FITNESS FOR A PARTICULAR PURPOSE.

This warranty does not cover damage from customer abuse, misuse, improper installation, customer modifications, customer negligence in performing normal maintenance, damage resulting from acts of nature.

Contact information
Poly-Tex, Inc. PO Box 458
27725 Danville Ave Castle Rock, MN 55010
Toll free (800) 852-3443 Fax (651) 463-2479
www.poly-tex.com