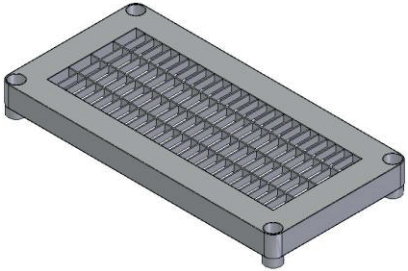

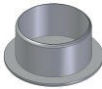



ASSEMBLY INSTRUCTIONS

Two Tier Staging

Description	Part #	Quantity	Description
	A	2	Staging Shelf
	B	8	Staging Legs Top 400 mm
	D	4	Staging Feet
	E	4	Stop Ends for Top Shelf

